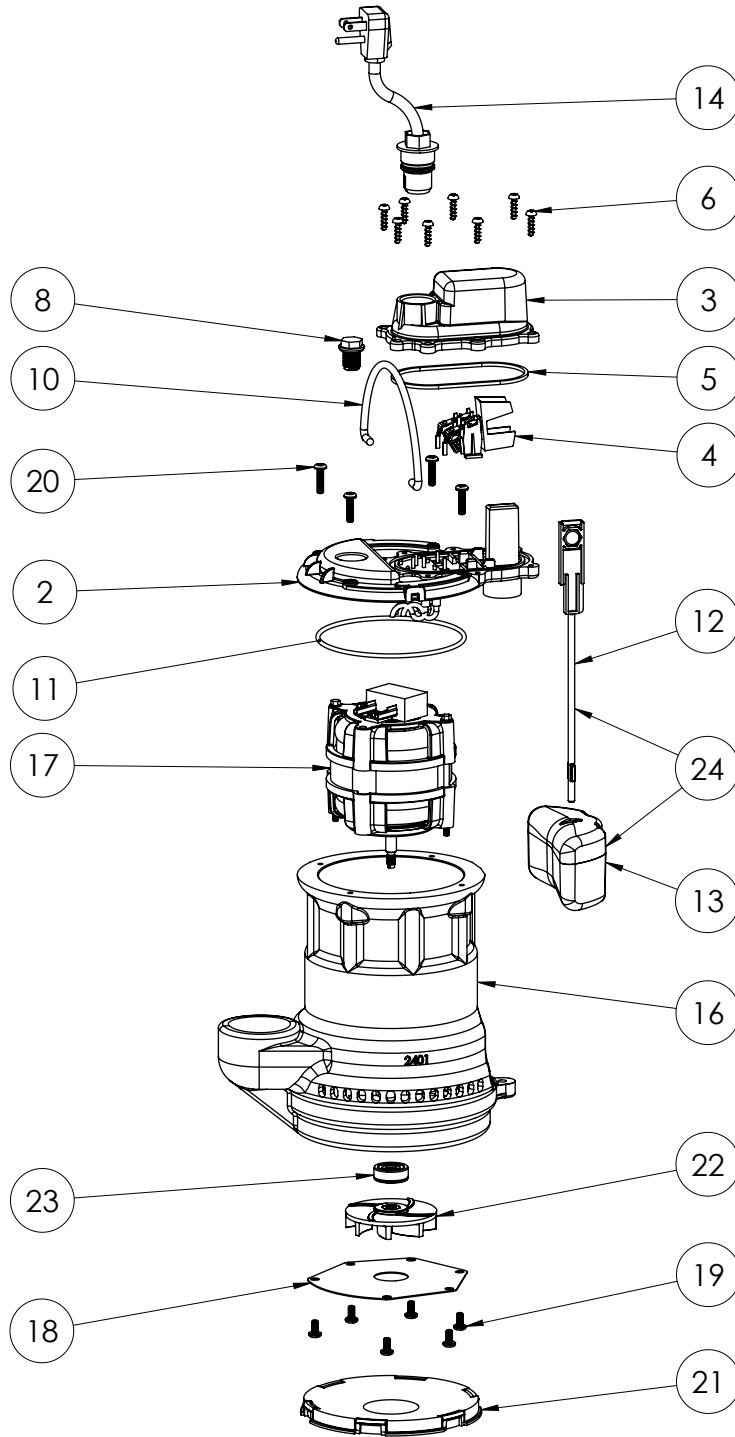


247 (B59)



## 247 (B59)

| #  | PART #  | DESCRIPTION                           | QTY | Note |
|----|---------|---------------------------------------|-----|------|
| 2  | 206500B | VMF MOTOR COVER, BLACK                | 1   |      |
| 3  | K001069 | VMF SWITCH COVER, BLACK               | 1   |      |
| 4  | K001012 | VMF SWITCH                            | 1   |      |
| 5  | 2072000 | SEALRING, SWITCH COVER                | 1   |      |
| 6  | 8104200 | #10 HILO X 5/8" STAINLESS STEEL SCREW | 8   |      |
| 8  | 8089000 | OIL PLUG, O-RING ASSEMBLY             | 1   |      |
| 10 | K001082 | HANDLE                                | 1   |      |
| 11 | 2357000 | O-RING                                | 1   | [1]  |
| 12 | 2075000 | VMF FLOAT ROD                         | 1   | [1]  |
| 13 | 2362000 | VMF FLOAT                             | 1   | [1]  |
| 14 | K001010 | POWER CORD, 115V, 10 FOOT CORD        | 1   |      |
| 16 | 242300J | CAST IRON HOUSING VMF                 | 1   |      |
| 17 | 2415200 | PSC MOTOR                             | 1   | [1]  |
| 18 | 24030A0 | FLAT VOLUTE PLATE                     | 1   |      |
| 19 | 8092000 | #10 - 24 x 3/8" SCREW                 | 6   |      |
| 20 | 8072000 | #10 - 24 x 3/4" SCREW                 | 4   |      |
| 21 | 25020A0 | SOLID BOTTOM PLUG                     | 1   |      |
| 22 | 2416000 | IMPELLER                              | 1   |      |
| 23 | K001254 | 3043000 5/16" SHAFT SEAL              | 1   | [1]  |
| 24 | K001048 | VMF FLOAT AND ROD KIT                 | 1   |      |

**PART NOTES:**

[1] - Part requires factory authorized service. Contact Liberty Pumps at 1-800-543-2550