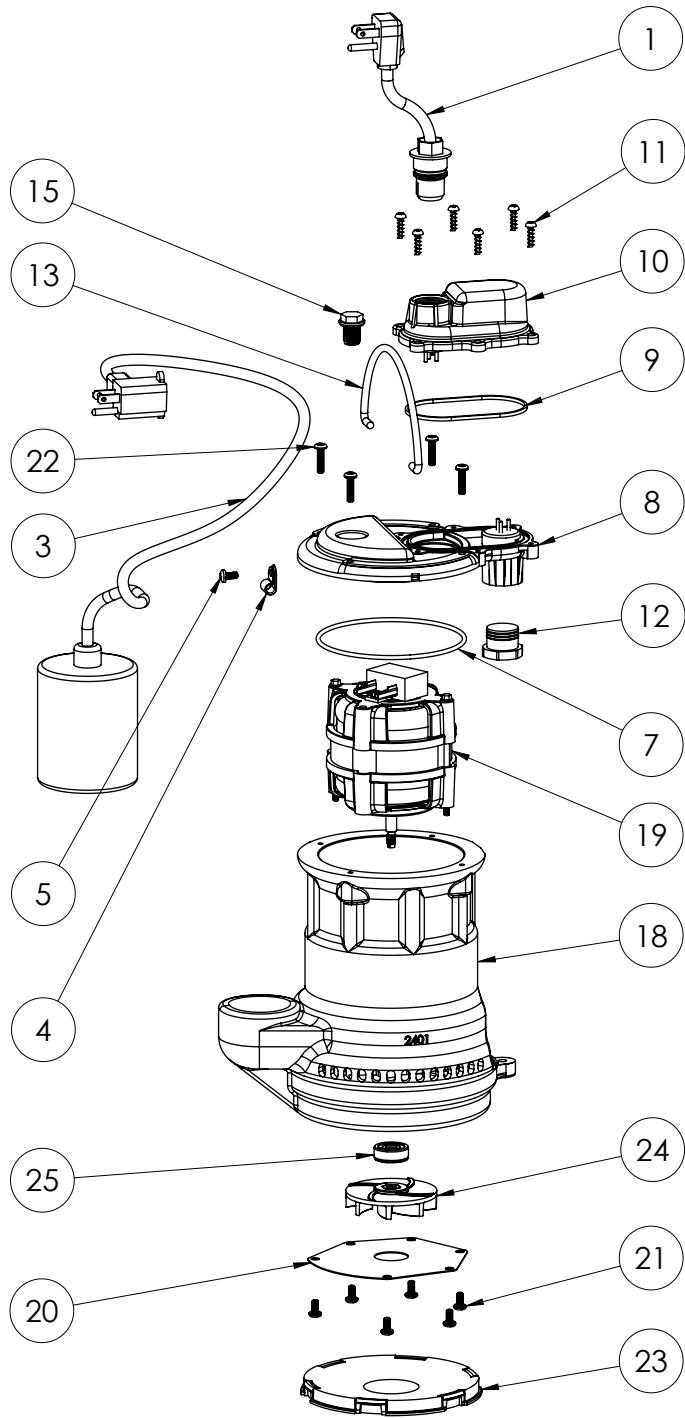


243-2 (B59)



243-2 (B59)

#	PART #	DESCRIPTION	QTY	Note
1	K001008	POWER CORD, 115V, 25 FOOT CORD	1	
3	K001119	PUMP SWITCH, 25FT.	1	
4	8014000	CABLE CLAMP	1	
5	8082000	#10-24 x 3/8 EPOXY LOCK SCREW	1	
7	2357000	O-RING	1	[1]
8	240600G	MOTOR COVER, GREY	1	
9	K001046	SEALRING, CHAMBER COVER	1	
10	240700G	CHAMBER COVER, GREY	1	
11	8104200	#10 HILO X 5/8" STAINLESS STEEL SCREW	6	
12	8105000	PROTECTIVE CAP	1	
13	K001082	HANDLE	1	
15	8089000	OIL PLUG, O-RING ASSEMBLY	1	
18	24230AJ	240 CAST IRON HOUSING	1	
19	2415200	PSC MOTOR	1	[1]
20	24030A0	FLAT VOLUTE PLATE	1	
21	8092000	#10 - 24 x 3/8" SCREW	6	
22	8072000	#10 - 24 x 3/4" SCREW	4	
23	25020A0	SOLID BOTTOM PLUG	1	
24	2416000	IMPELLER	1	
25	K001254	3043000 5/16" SHAFT SEAL	1	[1]

PART NOTES:

[1] - Part requires factory authorized service. Contact Liberty Pumps at 1-800-543-2550