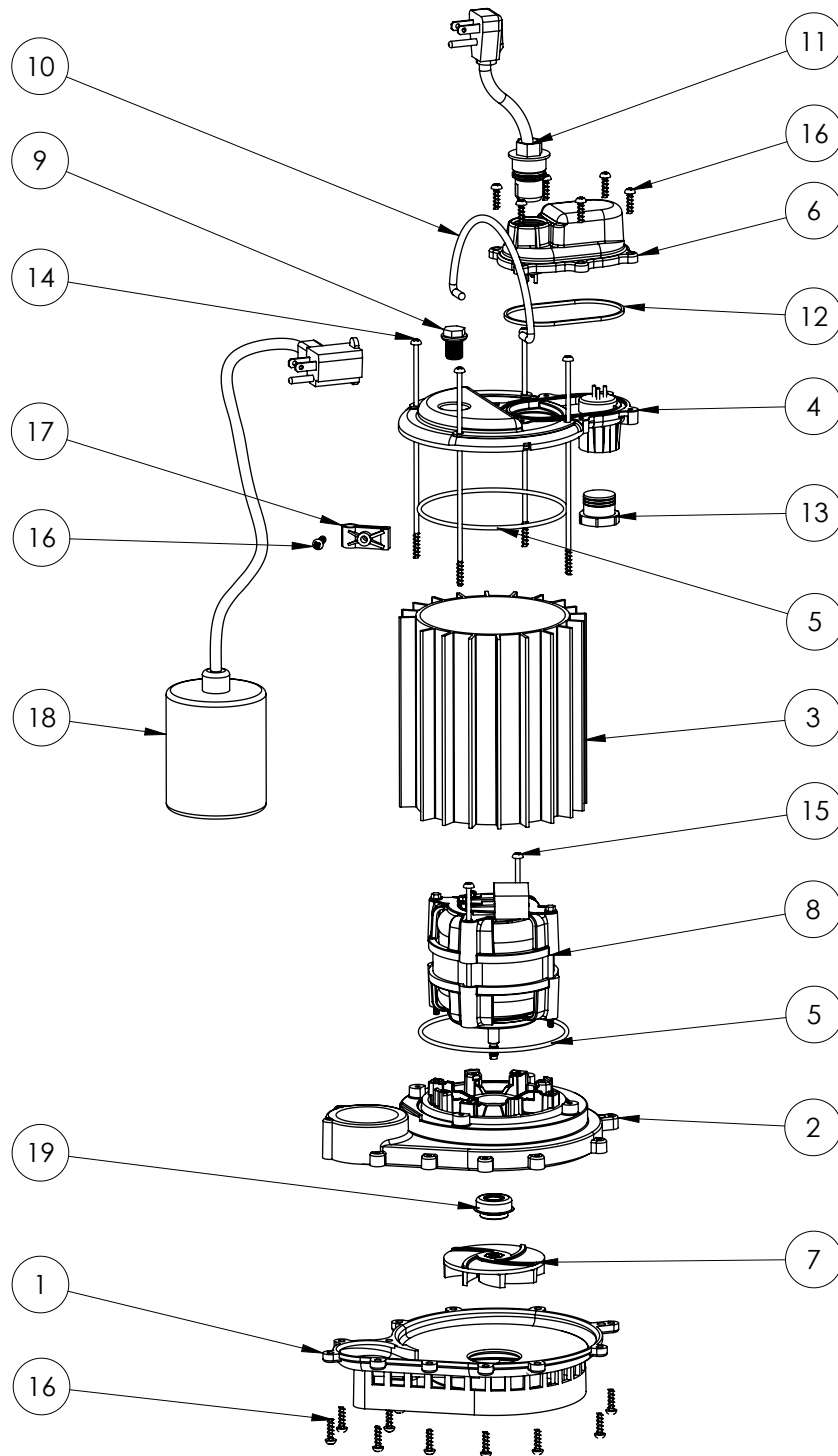


233-2 (B38)



## 233-2 (B38)

| #  | PART #  | DESCRIPTION                           | QTY | Note |
|----|---------|---------------------------------------|-----|------|
| 1  | 233600B | BASE WITH VOLUTE ASSEMBLY             | 1   |      |
| 2  | 23310AB | MOTOR SUPPORT PLATE                   | 1   | [1]  |
| 3  | 230700S | MOTOR HOUSING                         | 1   |      |
| 4  | 240600B | MOTOR COVER                           | 1   |      |
| 5  | 2357000 | O-RING                                | 2   | [1]  |
| 6  | 240700B | CHAMBER COVER                         | 1   |      |
| 7  | K001331 | IMPELLER                              | 1   |      |
| 8  | 2415200 | PSC MOTOR                             | 1   | [1]  |
| 9  | 8089000 | OIL PLUG, O-RING ASSEMBLY             | 1   |      |
| 10 | K001082 | HANDLE                                | 1   |      |
| 11 | K001008 | POWER CORD, 115V, 25 FOOT CORD        | 1   |      |
| 12 | K001046 | SEALRING, CHAMBER COVER               | 1   |      |
| 13 | 8105000 | PROTECTIVE CAP                        | 1   |      |
| 14 | 8042200 | #10 x 6-1/2 STAINLESS STEEL SCREW     | 4   | [1]  |
| 15 | 8149000 | #10 x 3-3/4 POLYFAST SCREW            | 2   | [1]  |
| 16 | 8104200 | #10 HILO X 5/8" STAINLESS STEEL SCREW | 19  |      |
| 17 | 2319000 | CLAMP, SWITCH CORD                    | 1   |      |
| 18 | K001144 | 61130B0 PUMP SWITCH, 25' 115V         | 1   |      |
| 19 | 2309000 | 5/16 SHAFT SEAL                       | 1   |      |

**PART NOTES:**

[1] - Part requires factory authorized service. Contact Liberty Pumps at 1-800-543-2550