



Variable Speed Draft Inducer (Samm)

FEATURES

- Variable speed operation from 500-5000 rpm
- Constant torque operation
- Constant HP operation
- Power profile operation
- Constant Mass/Flow operation
- On board control
- Condensate management capability
- High efficiency
- Quiet operation
- PWM Command
 - 5-43Vdc at 100Hz- 6kHz
- BlakBox technology
- Serial Communications
- Sensorless sine wave BLAC motor

TARGETED APPLICATIONS

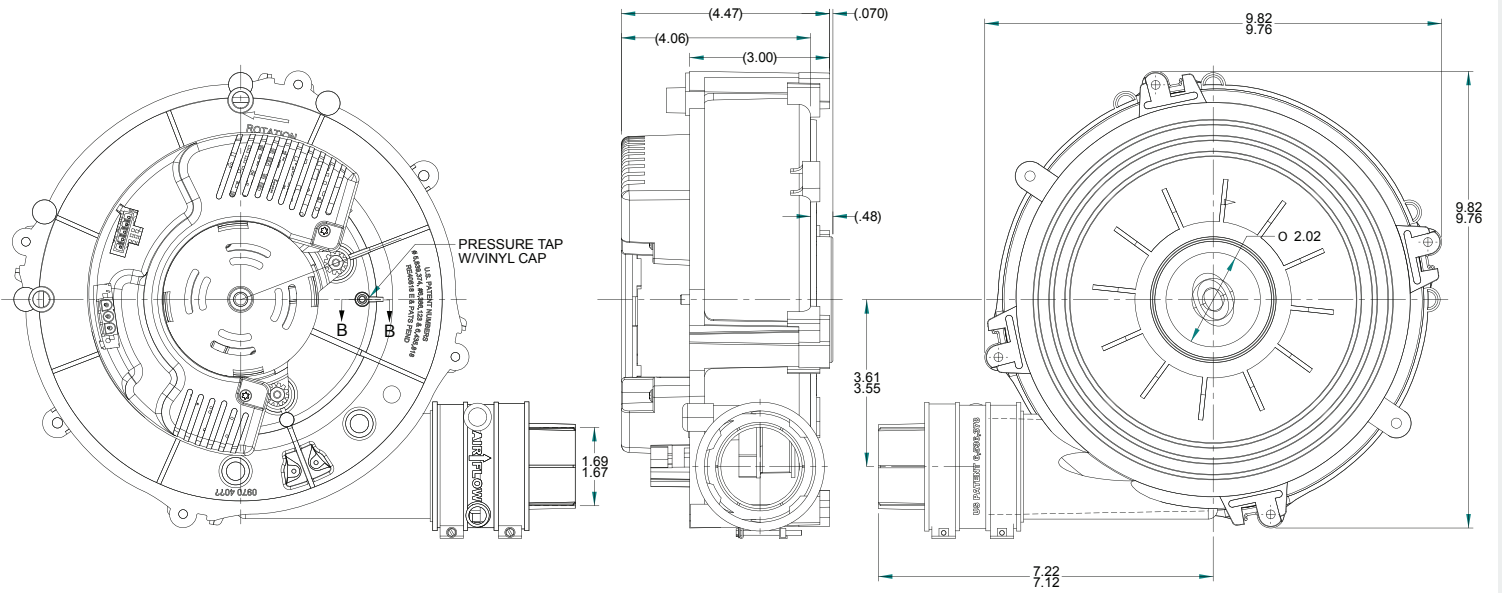
- High end furnace applications
- Furnaces targeting 95% AFUE

BENEFITS

- Helps achieve 95% AFUE in furnace applications
- Excellent sound and vibration characteristics
- Constant mass flow operation increases venting capabilities
- On board control eliminates external wiring from motor to control
- Control board can be replaced without changing out entire draft inducer
- Enhanced reliability and system performance
- Safe launch protection
- Health monitoring

SPECIFICATIONS

- Variable speed, constant mass flow
- 115 VAC 3-phase input, 50/60Hz
- Designed for indoor furnace applications
- Output shaft HP 60W
- Operating speed range of 500-4000 rpm
- Frame 3.3"
- Replaceable electronics
- UL and cUL to IEC 60730



Variable Speed Draft Inducer

