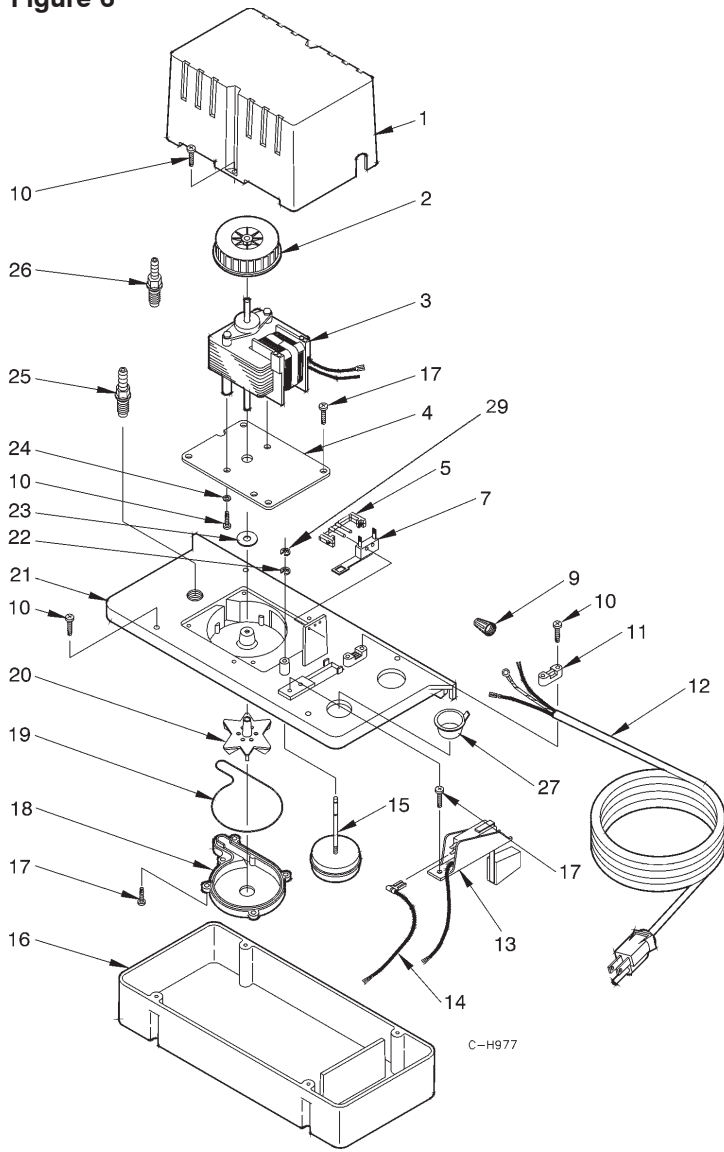


**Figure 6**



Item No.	Part No.	Description	VCC-20ULS 115V	VCC-20ULS 230V	VCC-20S 230V
1	154006	Cover, Motor	1	1	1
2	154031	Fan	1	1	1
3	979554	Motor, 115V	1	--	--
3	979555	Motor, 230V	--	1	1
4	154021	Plate, Motor	1	1	1
5	154055	Bracket, Switch	1	1	1
7	950337	Switch, VC Pump	1	1	1
9	950403	Wire Nut	1	1	1
10	902436	Screw, 8-18 x 1/2"	11	11	11
11	154038	Strain Relief	1	1	1
12	951604	Wiring Harness, 115V	1	--	--
12	951606	Wiring Harness, 230V	--	1	--
12	951089	Wiring Harness, H05VV-F with Terminals	--	--	1
13	154714	Safety Switch	1	1	1
14	951982	Lead Wire Assembly	1	1	1
15	154017	Float/Stem Assembly	1	1	1
16	154004	Tank	1	1	1
17	902431	Screw, 8-18 x 1/2", SS	10	10	10
18	154015	Volute	1	1	1
19	928006	Seal Ring, Nitrile	1	1	1
20	154009	Impeller	1	1	1
21	154005	Cover, Tank	1	1	1
22	923006	Retaining Ring	1	1	1
23	921063	Washer, Slinger	1	1	1
24	921015	Washer, Lock, #8	2	2	2
25	154715	Check valve, 3/8" hose	1	1	1
25	154708	Check valve, 1/4" hose	--	--	1
26	154037	Adapter, 1/4" MNPT x 1/4" Hose	1	1	--
27	929600	Plug, Drain Hole	1	1	1
28*	902421	Screw, 8-32 x 1/2" (ground)	1	1	1
29	925015	Grommet	1	1	1
30*	921001	Washer, lock, #8 (ground)	1	1	1

\*Not shown