



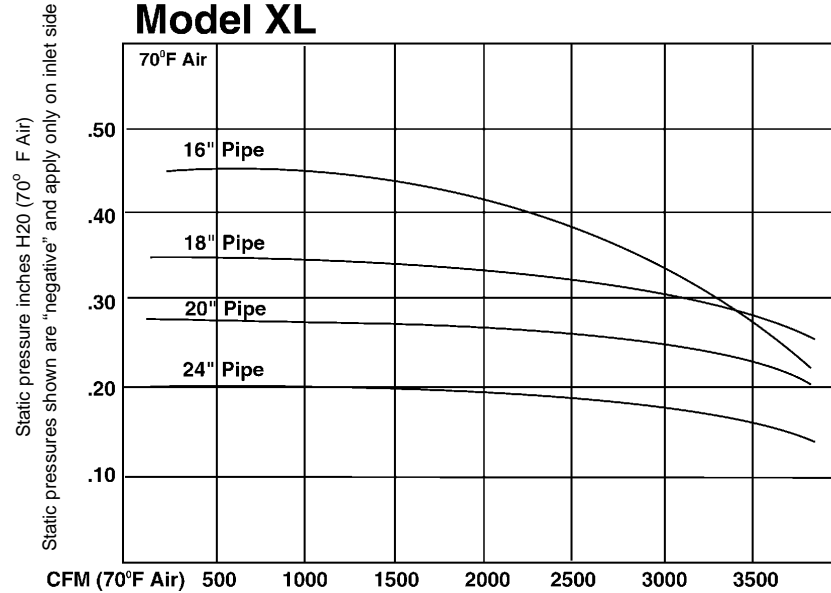
TJERNLUND PRODUCTS, INC.

1601 Ninth Street • White Bear Lake, MN 55110-6794
 PHONE (800) 255-4208 • (651) 426-2993 • FAX (651) 426-9547
 Visit our web site • www.tjernlund.com

MODEL XL DRAFT INDUCER SPECIFICATIONS

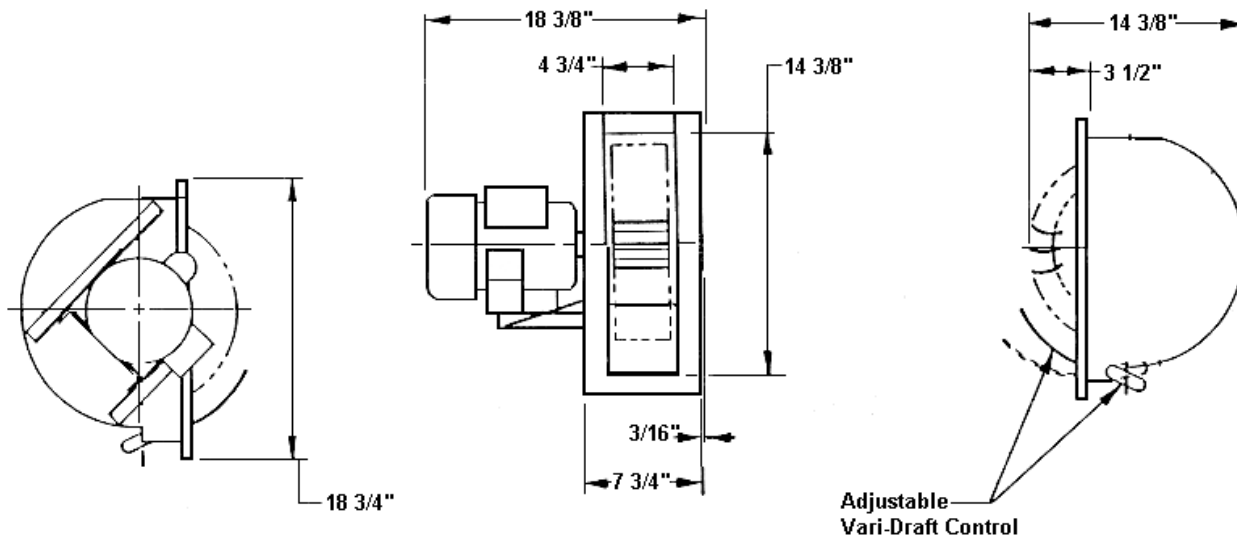
Performance curves

MODEL NO.	PIPE SIZE IN.	GAS FIRING WITH DRAFT HOOD		GAS FIRING WITH BAR. DRAFT CONTROL		OIL FIRING WITH BAR. DRAFT CONTROL				
		HEATER BTU INPUT	270°F FLUE GAS		HEATER BTU INPUT	390°F FLUE GAS		HEATER BTU INPUT	530°F FLUE GAS	
			S.P.	CFM		S.P.	CFM		S.P.	CFM
XL	16	4,000,000	.250	2760	4,000,000	.260	2010	3,300,000	.230	1763
	18	3,900,000	.240	2650	3,250,000	.240	1660	2,100,000	.190	1103
	20	2,800,000	.195	1935	2,100,000	.175	1079	1,200,000	.150	626
	24	1,500,000	.150	1035	1,100,000	.125	527	503,000	.110	266



- Inputs shown are believed to be maximum capacities for inducers when mounted on pipe sizes shown for ordinary jobs where a moderate amount of mechanical induced draft is required.
- Consideration is given to typically higher static pressure requirements for larger installations, for the type of fuel burned and for the type of draft control installed.
- Where pressure requirements are unknown or believed to be unusually severe, ask for complete performance curves or consult factory.
- All ratings have been developed in our testing and research department and have been approved by a nationally known independent testing laboratory. Certification is available upon request.
- Heating capacities shown are for 1000 BTU per cubic foot natural gas and for 139,000 BTU per gallon No. 2 fuel oil. Consult factory for capacities with other fuels. Heating capacities are based on typical combustion efficiencies and allow for approximately 5 percent ambient air drawn into inducer to cool motor and drives.
- Draft Inducers should be installed in single wall vent pipe in order to insure proper performance.

Note: Tjernlund Products, Inc. reserves the right to make changes to specifications without notification.



MOTOR SPECIFICATIONS	
ELECTRICAL DATA	
Volts	115, 208-230
Hertz	60
RPM	1725
Watts	3/4 HP
Amps	11 @ 115
	5.4 @ 208
	5.3 @ 230
Therm. Prot.	Yes