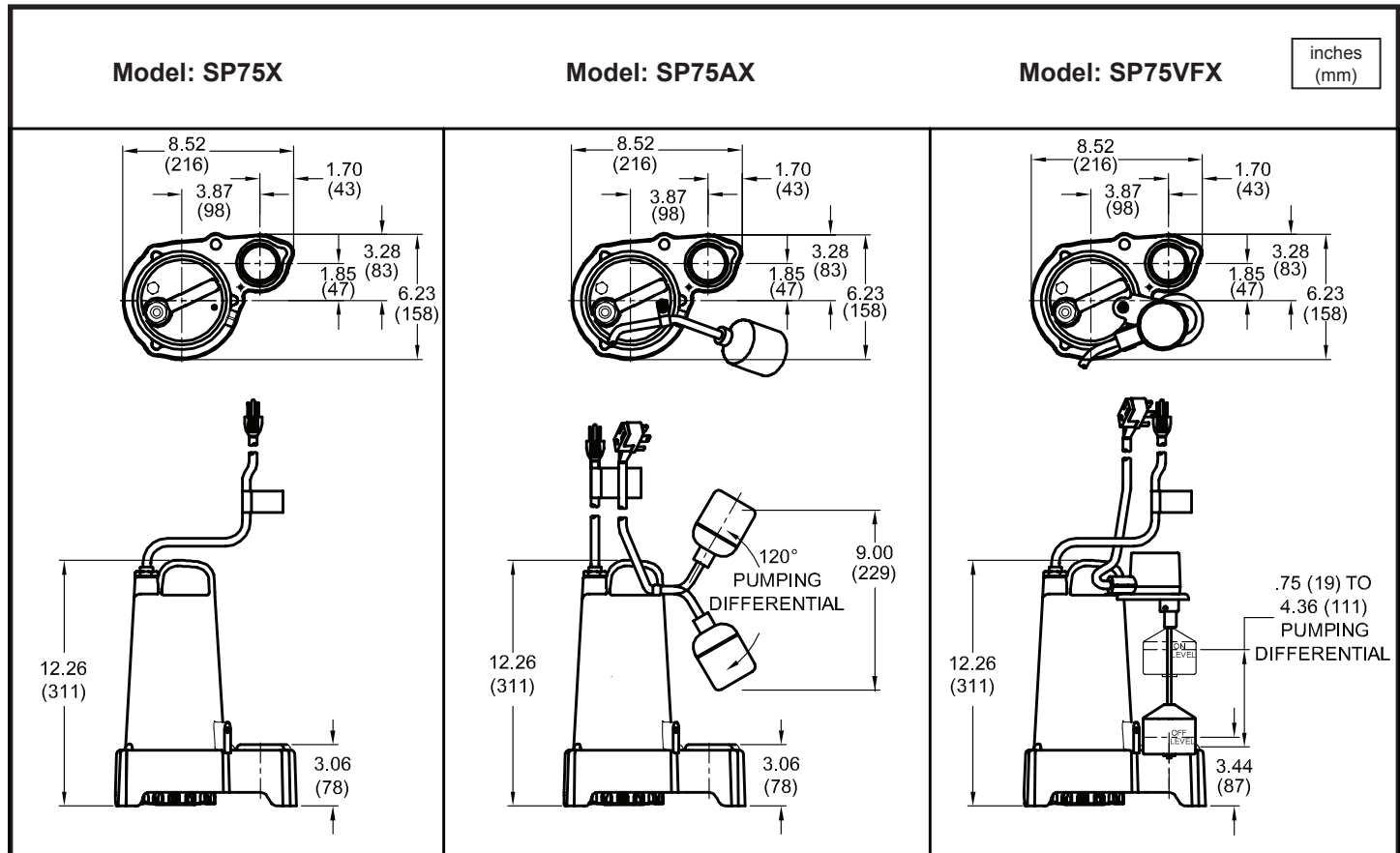


# Series SP75

1/2" Spherical Solids Handling  
Manual & Automatic, Submersible Sump /Effluent

## Sump & Utility Pumps



inches  
(mm)

| MODEL NO | PART NO | HP  | VOLT/PH | Hz | RPM (Nom) | NEMA START CODE | FULL LOAD AMPS | CORD LENGTH | CORD SIZE | CORD TYPE |
|----------|---------|-----|---------|----|-----------|-----------------|----------------|-------------|-----------|-----------|
| SP75X    | 115368  | 3/4 | 120/1   | 60 | 3450      | H               | 9.8            | 20 ft. (6m) | 18/3      | SJTOW     |
| SP75AX   | 115369  | 3/4 | 120/1   | 60 | 3450      | H               | 9.8            | 20 ft. (6m) | 18/3      | SJTOW     |
| SP75VFX  | 115370  | 3/4 | 120/1   | 60 | 3450      | H               | 9.8            | 20 ft. (6m) | 18/3      | SJTOW     |

**IMPORTANT !**

- 1.) PUMP MAY BE OPERATED "DRY" FOR EXTENDED PERIODS WITHOUT DAMAGE TO MOTOR AND/OR SEALS.
- 2.) INSTALLATIONS SUCH AS DECORATIVE FOUNTAINS OR WATER FEATURES PROVIDED FOR VISUAL ENJOYMENT MUST BE INSTALLED IN ACCORDANCE WITH THE NATIONAL ELECTRIC CODE ANSI/NFPA 70 AND/OR THE AUTHORITY HAVING JURISDICTION. THIS PUMP IS NOT INTENDED FOR USE IN SWIMMING POOLS, RECREATIONAL WATER PARKS, OR INSTALLATIONS IN WHICH HUMAN CONTACT WITH PUMPED MEDIA IS A COMMON OCCURRENCE.

SECTION A  
PAGE 8  
DATE 3/14



A Crane Co. Company

### PUMPS & SYSTEMS

USA: (937) 778-8947 • Canada: (905) 457-6223 • International: (937) 615-3598