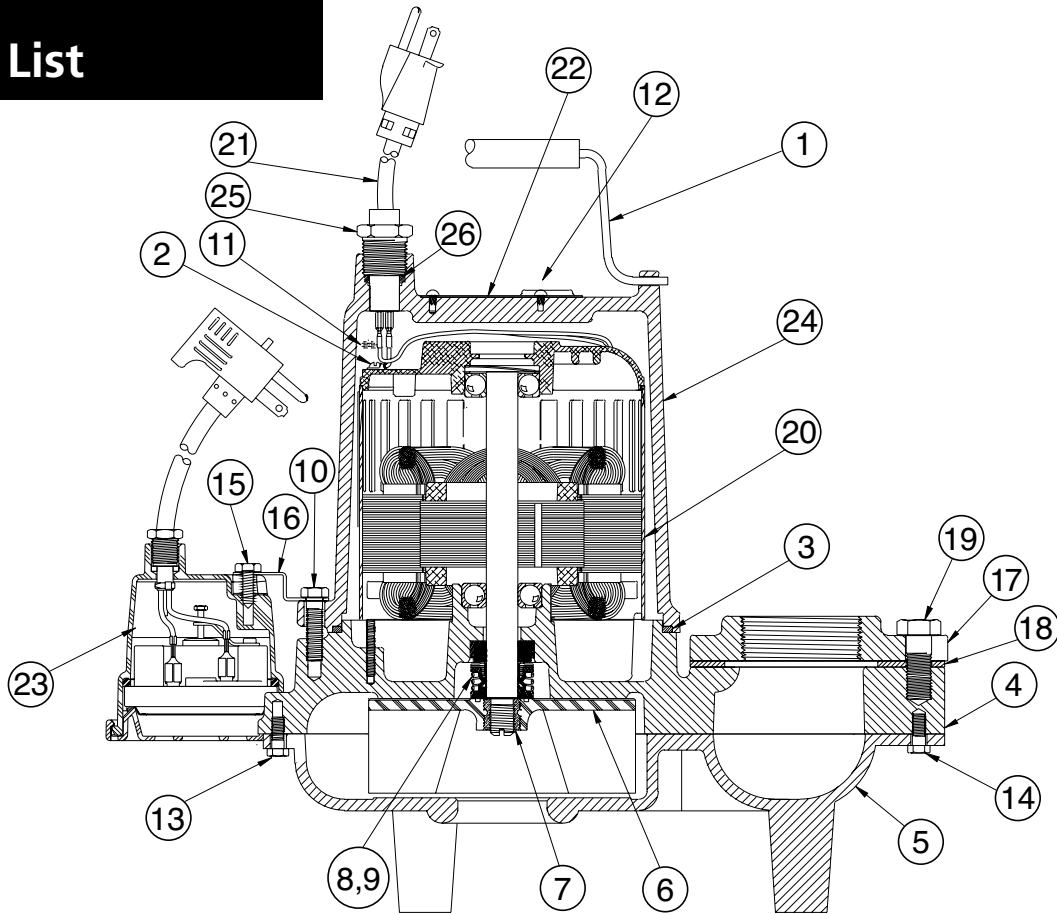


# SP50 Parts List



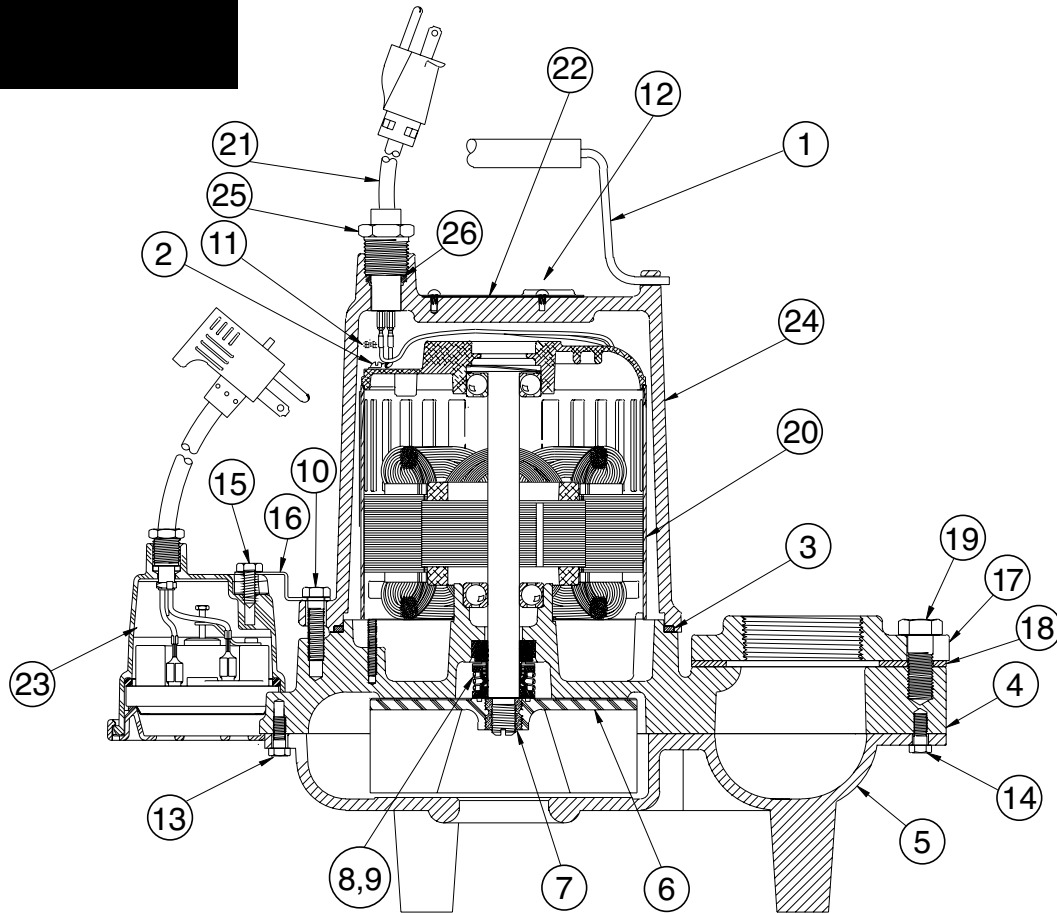
## SP50A x SP50M x Single Phase

## SP50M x Three Phase

Ref. No.	Part No.	Description	Qty.	Ref. No.	Part No.	Description	Qty.
1	11584-043-4	Nameplate	1	1	11584-043-4	Nameplate	1
2	14981-001-1	Plug - Pipe 1/4"	1	2	14981-001-1	Plug - Pipe 1/4"	1
3	56-036-2	Motor Housing (Includes Handle)	1	3	56-023-2	Motor Housing (Includes Handle)	1
4	13349-000-1	Motor- 115 V. single phase	1	4	13594-000-1	Motor- 200 V. three phase	1
4	13592-000-1	Motor- 200 or 230 V. single phase	1	4	13595-000-1	Motor- 230 or 460 V. three phase	1
5	77-003-1	O - Ring Sq. cut	1	4	13596-000-1	Motor- 575 V. three phase	1
6	239-005-1	Bolt	2	5	77-003-1	O - Ring Sq. cut	1
7	208-000-2	Flange - Discharge	1	6	239-005-1	Bolt	2
8	324-001-1	Gasket - Discharge Flange	1	7	208-000-2	Flange - Discharge	1
9	202-000-2	Volute	1	8	324-001-1	Gasket - Discharge Flange	1
10	203-000-2	Bottom Plate	1	9	202-000-2	Volute	1
11	614-001-2	Impeller (Automatic/Manual)	1	10	203-000-2	Bottom Plate	1
12	19109A070	Jam Nut	1	11	614-001-2	Impeller (Automatic/Manual)	1
13	83-007-1	Seal Shaft	1	12	19109A070	Jam Nut	1
14	83-002-1	Seal-Assy, Stationary	1	13	83-007-1	Seal Shaft	1
15	19099A029	Screw - 1/4 - 20	6	14	83-002-1	Seal-Assy, Stationary	1
16	51752-403-7	Pressure Switch 10'	1	15	19099A029	Screw - 1/4 - 20	6
16	51752-404-7	Pressure Switch 20'	1	19	101-008-1	Screw	4
17	30-021-1	Screw	1	20	24709110000	Oil - Paraffinic	1
18	5502-004-1	Bracket - Switch	1	22	11644-089-5	Power Cord 20'	1
19	101-008-1	Screw	4				
20	24709110000	Oil - Paraffinic	1				
21	75-005-1	Cord Nut	1				
22	14623-010-1	Power Cord 10'	1				
22	14623-020-1	Power Cord 20'	1				
23	139-014-1	Ring - Seal	1				

NOTE: Use Loctite on Impeller threads

# SP50AB1 Parts List



## SP50AB1

Ref. No.	Part No.	Description	Qty.
1	11584-043-4	Nameplate	1
2	14981-001-1	Plug - Pipe 1/4"	1
3	56-013-2	Motor Housing (Includes Handle)	1
4	13349-000-1	Motor- 115 V. single phase	1
5	77-003-1	O - Ring Sq. cut	1
6	239-005-1	Bolt	2
7	208-010-2	Flange - Discharge	1
8	324-001-1	Gasket - Discharge Flange	1
9	202-010-2	Volute	1
10	203-010-2	Bottom Plate	1
11	614-010-2	Impeller (Automatic/Manual)	1
12	19109A070	Jam Nut	1
13	83-007-1	Seal Shaft	1
14	83-002-1	Seal-Assy, Stationary	1
15	19099A029	Screw - 1/4 - 20	6
16	51752-404-7	Switch/Pressure Ass'y Pg	1
17	30-021-1	Screw	1
18	5502-005-1	Bracket - Switch	1
19	101-008-1	Screw	4
20	24709110000	Oil - Paraffinic	1
21	75-007-1	Cord Nut	1
22	14623-020-1	Power Cord 20'	1
23	139-014-1	Ring - Seal	1

NOTE: Use Loctite on Impeller threads