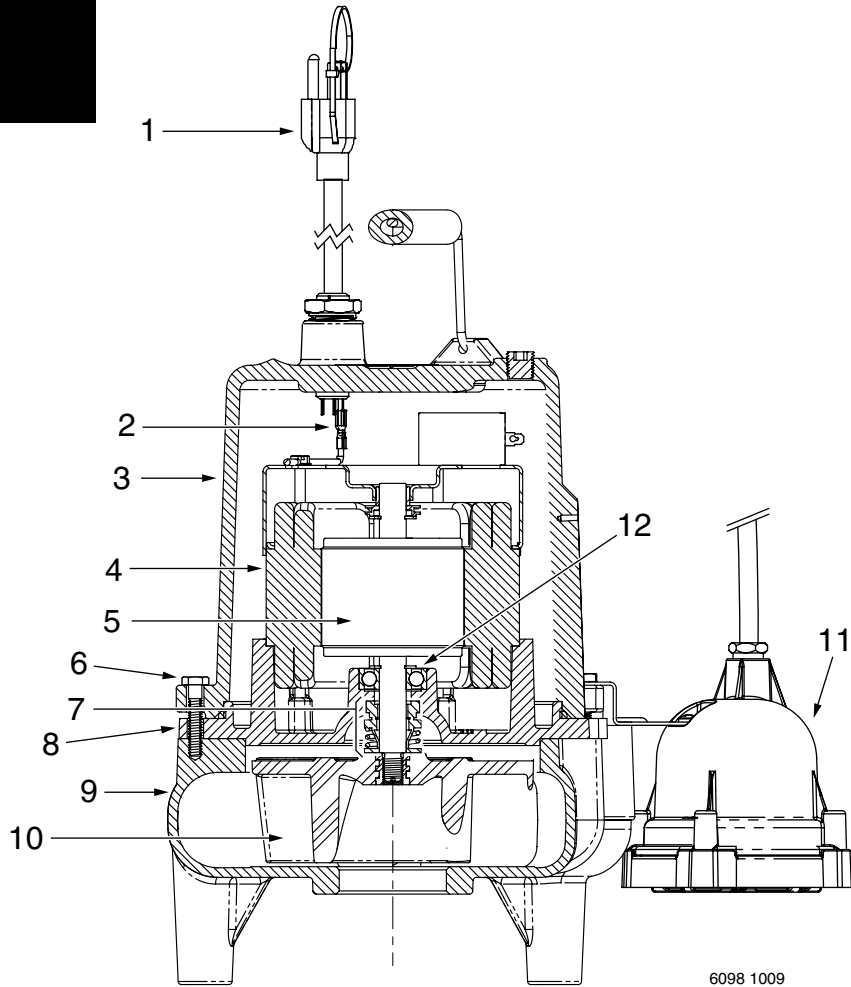


# SP40 Parts List



**MODEL – SP40**

Ref. No.	Part No.	Description	Qty.
1	146230101	115V 10' Power Cord	1
1	146230201	115V 20' Power Cord	1
1	146232201	230V 20' Power Cord	1
2	60000711	Ground Wire	1
3	PS18-1646	Motor Housing	1
4	PS118-1608	Stator 230V	1
4	PS118-1606	Stator 115V	1
5	27479A001	Rotor	1
6	*	1/4 - 20 x 1" SS Hex Capscrew	4
7	U9-474REP	Seal Kit (Incl. Motor Cover O-Ring, Mechanical Shaft Seal, and Cord Ring Seal)	1
8	PS3-1190	Seal Plate	1
9	PS1-301	Volute	1
10	PS5-274P	Impeller	1
11	149740085	115V Diaphragm Switch 10'	1
11	149740095	115V Diaphragm Switch 20'	1
11	149740105	230V Diaphragm Switch 20'	1
12	000650241	Ball bearing - 1/2 Open Face	1
•	U30-1023REP	Hardware Kit (Incl. Handle, Pipe Plug, Stator Bolts, Motor Cover/Seal Plate Bolts, Diaphragm Switch Bracket, Bracket Screw, and Cord Nut)	1

• Not illustrated

\* Standard hardware item - purchase locally.