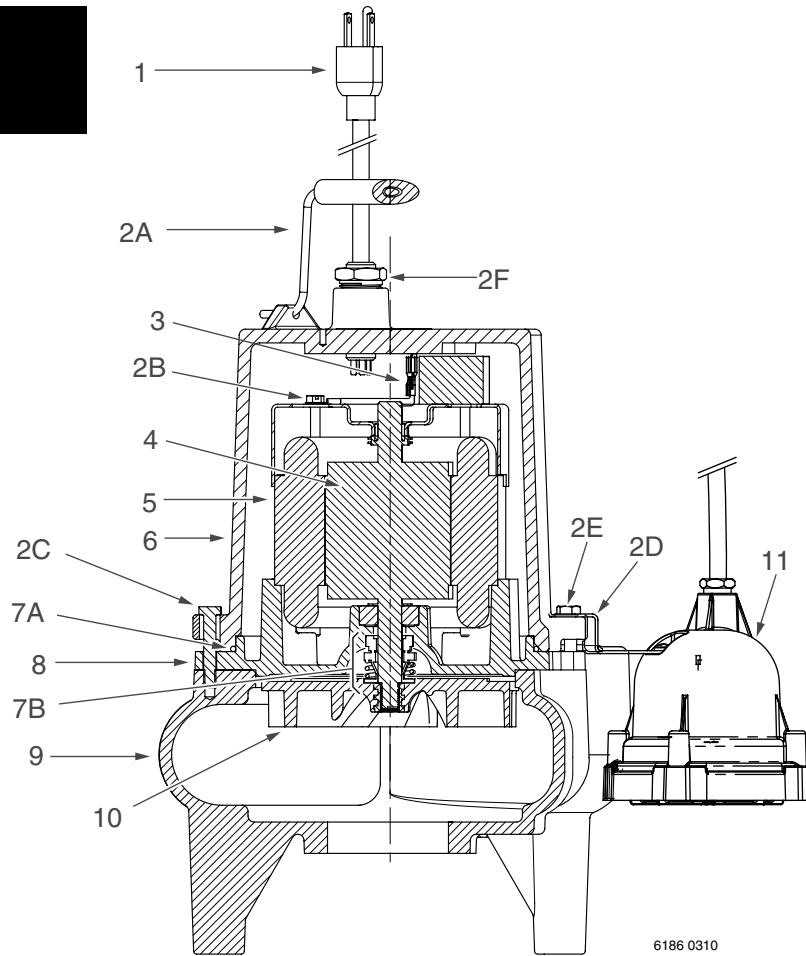


SKV50 Parts List



6186 0310

MODEL – SKV50

Ref. No.	Description	Qty.	Part No.
1	115V Power Cord 10'	1	146230101
1	115V Power Cord 20'	1	146230201
1	230V Power Cord 20'	1	146232201
•	Hardware Kit (Includes Key Nos. 2A through 2F and pipe plug)	1	U30-1024REP
2A	Handle	1	
2B	Stator bolt	4	
2C	1/4-20x1-3/4 Hex Head Cap Screw	4	
2D	Diaphragm Switch Bracket	1	
2E	1/4-20x5/8 Diaphragm Switch Screw	1	
2F	Cord Nut	1	
•	1/4NPTx1/2" Hex Head Pipe plug	1	
3	Ground Wire	1	60000711
4	115V Rotor	1	PS118-1609
4	230V Rotor	1	PS118-1605
5	115V Stator	1	PS118-1603
5	230V Stator	1	PS118-1604
6	Motor Housing	1	PS18-1650
•	Seal Kit (Includes Key Nos 7A, 7B, and Cord Ring Seal)	1	U9-474REP
7A	Motor Cover O-Ring	1	
7B	Mechanical Shaft Seal	1	
•	Cord Ring Seal	1	
8	Seal Plate	1	PS3-1190
9	Volute	1	27612B000
10	Impeller	1	PS5-273P
11	115V 10' Diaphragm Switch*	1	DPS81 10
11	115V 20' Diaphragm Switch*	1	DPS81 20

• Not illustrated

* 230 Volt SKV50 is manual only (no switch available).