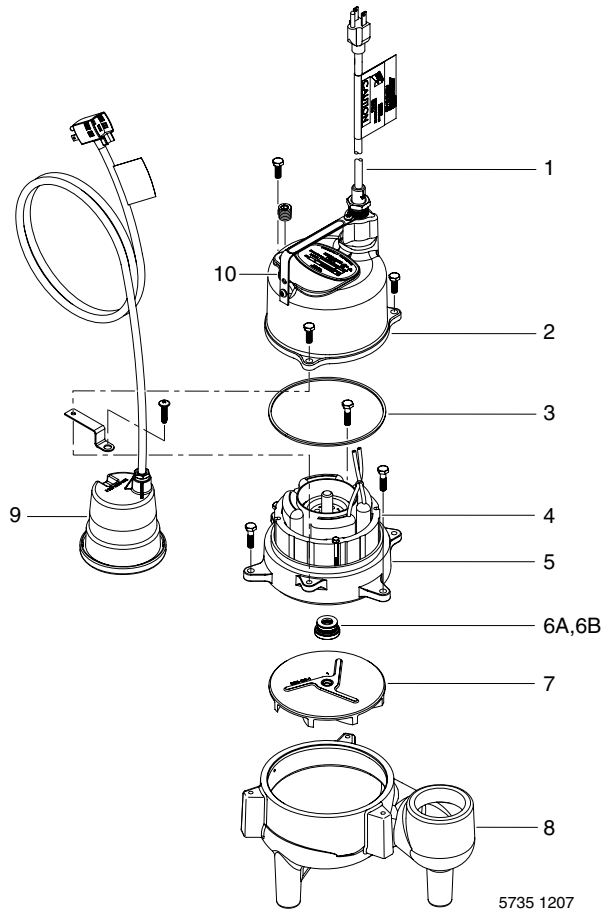


## EXPLODED VIEW



5735 1207

## REPAIR PARTS LIST

Key No.	Part Description	Qty	Part Number
1	Cord 115V 10'	1	14623-010-1
1	Cord 115V 20'	1	14623-020-1
1	Cord 230V 20'	1	14623-220-1
•	Cord Seal Ring	1	00139-014-1
2	Motor Housing	1	08507-013-5
3	Square-Cut O-Ring	1	00149-001-1
4	Motor	1	*
5	Seal Plate	1	14599-000-2
6A	Seal Half, Stationary	1	05484-001-1
6B	Seal Half, Rotating	1	05484-003-1
7	Impeller	1	08498-003-1
8	Volute	1	21612D000
9	Diaphragm Switch, 115V 10'	1	51752-403-7
9	Diaphragm Switch, 115V 20'	1	51752-404-7
•	Wide Angle Float Switch, 115V 10'	1	13967-010-7
•	Wide Angle Float Switch, 115V 20'	1	13967-020-7
•	Wide Angle Float Switch, 230V 20'	1	13967-025-7
•	Vertical Switch, 115V 10'	1	14105-000-5
•	Vertical Switch, 230V 10'	1	14105-001-5
10	Handle	1	08522-006-1

\* If motor fails, replace entire pump.

• Not Illustrated