

HYDROMATIC®

SKHS SERIES

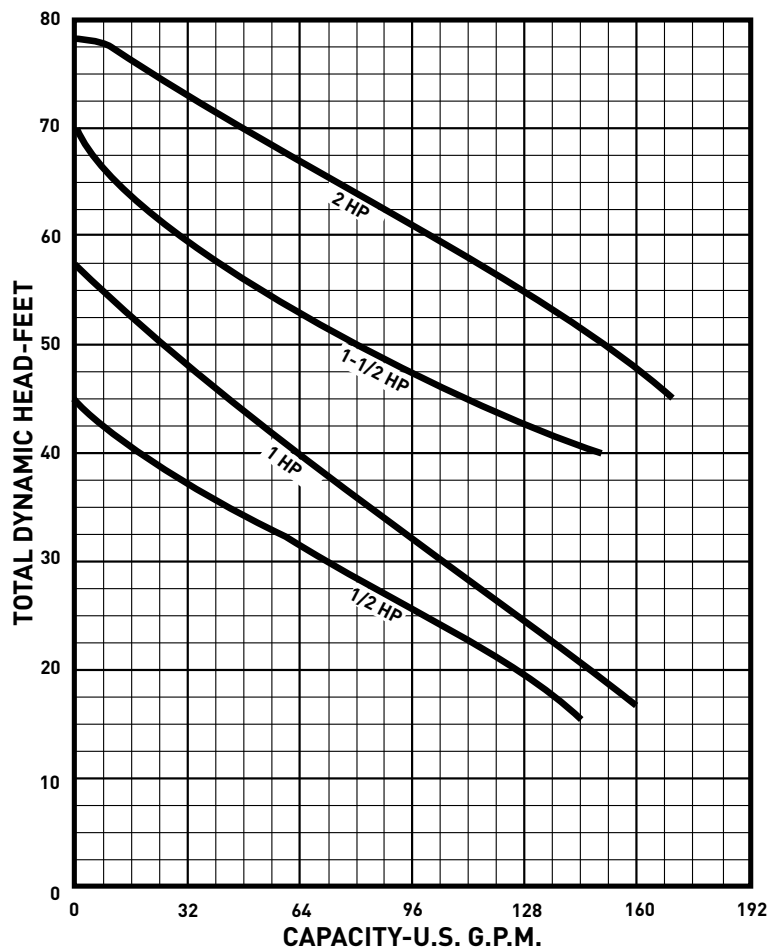
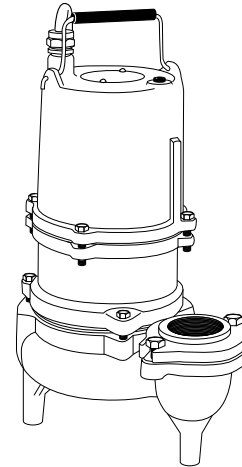
SUBMERSIBLE NON-CLOG, SEWAGE EJECTOR

PERFORMANCE DATA

Wholesale Products Page: 6560-1

Dated: January 2001

RPM: **3450** Discharge: **2"** Solids: **2"**



The curves reflect maximum performance characteristics without exceeding full load (Nameplate) horsepower. All pumps have a service factor of 1.2. Operation is recommended in the bounded area with operational point within the curve limit. Performance curves are based on actual tests with clear water at 70° F. and 1280 feet site elevation.

HYDROMATIC®

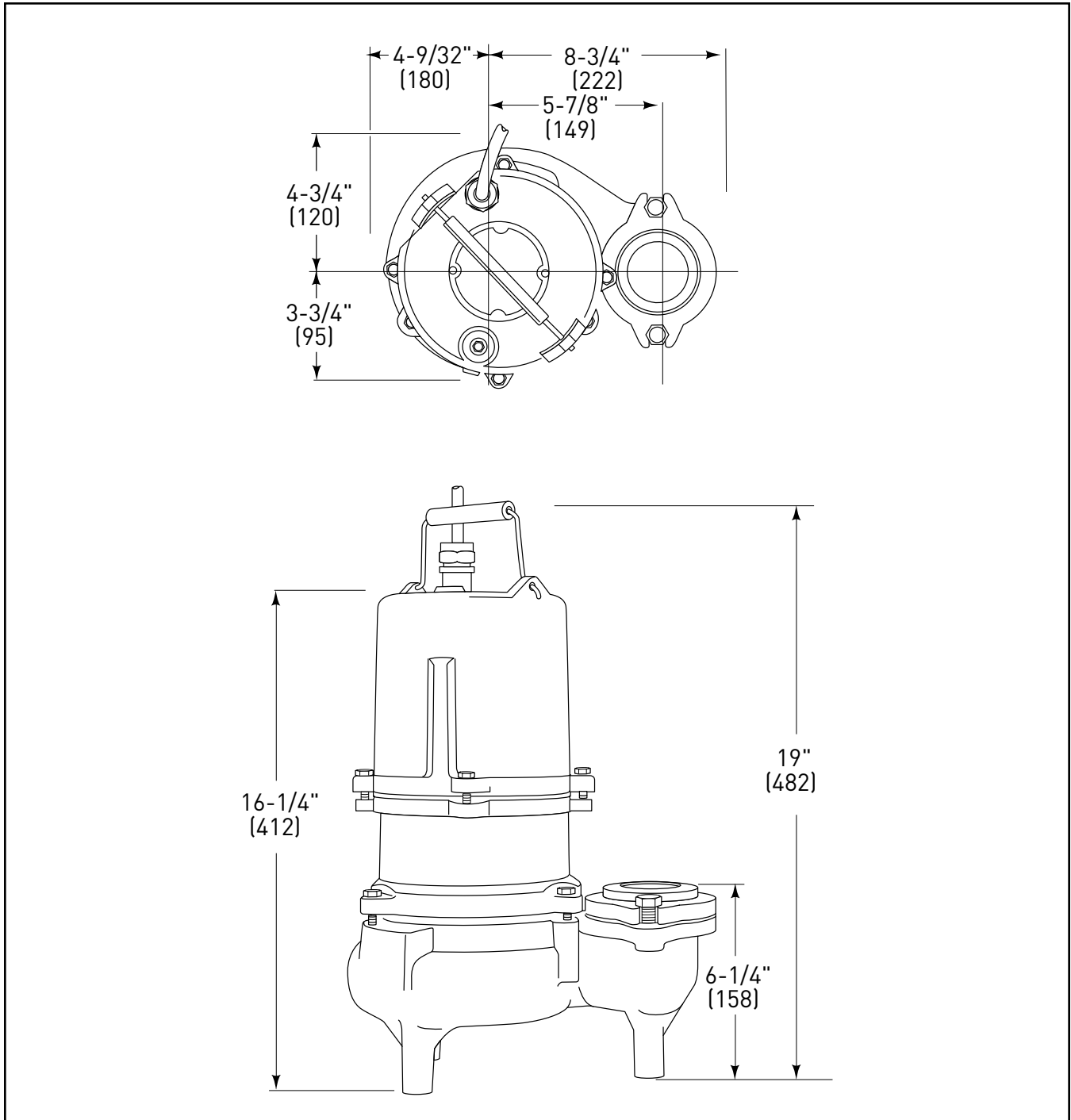
SKHS SERIES

SUBMERSIBLE NON-CLOG, SEWAGE EJECTOR

DIMENSIONAL DATA

Wholesale Products Page: 6560-2

Dated: January 2001



All dimensions in inches. Metric for international use. Component dimensions may vary $\pm 1/8$ inch. Dimensional data not for construction purpose unless certified. Dimensions and weights are approximate. On/Off level adjustable. We reserve the right to make revisions to our product (s) and the product (s) specifications without notice.

HYDROMATIC®

SKHS SERIES

SUBMERSIBLE NON-CLOG, SEWAGE EJECTOR

ELECTRICAL DATA

Wholesale Products Page: 6560-3

Dated: July 2005

MODEL: SKHS50/100/150/200

R.P.M.	3450
MOTOR TYPE	OIL FILLED, THERMAL OVERLOAD WITH AUTOMATIC RESET
MOTOR PROTECTION	THERMAL OVERLOAD WITH AUTOMATIC RESET

PUMP MODEL	HP	VOLTAGE	PHASE	FULL LOAD AMPS
SKHS50M1	1/2	115	1	14.2
SKHS50M7		208		9.2
SKHS50M2		230		8.3
SKHS50M6		3	208	6.6
SKHS50M3			230	6.0
SKHS50M4			460	3.0
SKHS50M5			575	2.4
SKHS100M7	1	208	1	12.6
SKHS100M2		230		11.4
SKHS100M6		3	208	8.8
SKHS100M3			230	8.0
SKHS100M4			460	4.0
SKHS100M5			575	3.2
SKHS150M7	1 1/2	208	1	15.3
SKHS150M2		230		13.9
SKHS150M6		3	208	8.5
SKHS150M3			230	7.6
SKHS150M4			460	3.9
SKHS150M5			575	3.1
SKHS200M2	2	230	1	18.0
SKHS200M6		3	208	10.4
SKHS200M3			230	9.2
SKHS200M4			460	4.6
SKHS200M5			575	3.7

ALL CURVES CUT OFF AT 140 G.P.M.

HYDROMATIC®

SKHS SERIES

SUBMERSIBLE NON-CLOG, SEWAGE EJECTOR

TECHNICAL DATA

Wholesale Products Page: 6560-4

Dated: January 2001

MODEL: SKHS50/100/150/200

Physical Data

DISCHARGE SIZE	2" NPT (STANDARD), 3" NPT (OPTIONAL)
SOLIDS SIZE	2"
IMPELLER TYPE	2 VANE
CABLE LENGTH	20' STANDARD
PAINT	PAINTED AFTER ASSEMBLY, DARK GREEN, WATER REDUCIBLE ENAMEL, ONE COAT, AIR DRIED.

Temperature

MAXIMUM LIQUID	140°F
MAXIMUM STATOR	-
OIL FLASH POINT	-

Technical Data

POWER CORD TYPE		STW-A
MATERIALS OF CONSTRUCTION	MOTOR HOUSING	CAST IRON
	CASING	CAST IRON
	IMPELLER	CAST IRON
	MOTOR SHAFT	416 STAINLESS STEEL
	HARDWARE	STAINLESS STEEL
	"O" RINGS	BUNA-N
MECHANICAL SEALS Standard:		CARBON / CERAMIC
UPPER BEARING		SINGLE ROW-BALL
LOWER BEARING		SINGLE ROW-BALL

HYDROMATIC®

SKHS SERIES

SUBMERSIBLE NON-CLOG, SEWAGE EJECTOR

SPECIFICATION DATA

Wholesale Products Page: 6560-5

Dated: January 2001

MODELS: SKHS50, SKHS100, SKHS150 and SKHS200

1.01 GENERAL

Contractor shall furnish all labor, materials, equipment and incidentals required to provide _____ (Qty.) submersible centrifugal non clog sewage pump(s) as specified herein. The pump models covered in this specification are the SKHS50, SKHS100, SKHS150 and SKHS200. The pump furnished for this application shall be MODEL _____ as manufactured by Hydromatic Pumps.

2.01 DESIGN CONDITIONS

Each pump shall be rated _____ H.P., _____ volts, _____ phase, _____ hertz and operate at _____ RPM.

3.01 OPERATING CONDITIONS

The pump shall deliver _____ U.S. GPM/LPS at feet/meters TDH, and handle a _____ inch solid. The curve submitted for approval shall state, in addition to head and capacity performance, solid handling capability, amp rating, and design impeller diameter.

4.01 CONSTRUCTION

Each pump shall be of the sealed submersible type, incorporating features normally found in pumps furnished for the heavy duty industrial or municipal markets.

These features include:

1. The pump, motor, and seal housing shall be high quality gray cast iron, ASTM A-48, Class 30.
2. The pump inlet shall be open and clear, without screening to provide access for sewage and solids.
3. All external mating parts shall be machined and Buna N, O-Ring sealed.
4. All fasteners exposed to the pumped liquid shall be 300 series stainless steel.
5. All power cords shall be water resistant UL or CSA approved, with double insulation, and sized as a function of Amp. draw.

5.01 MOTOR AND SHAFT

The stator, rotor and bearings shall be mounted in a sealed submersible type housing. Single phase motors shall be split phase or capacitor start with centrifugal switch. Three phase motors shall be Polyphase. Full Load and Locked Rotor Amps. as well as Start and Run winding resistance shall be tabulated for each pump.

6.01 BEARINGS, SHAFT AND MECHANICAL SEAL

An upper radial and lower thrust bearing shall be required. These shall be heavy duty single row ball bearings which are permanently and continuously lubricated and cooled by the dielectric oil which fills the motor housing. The motor shaft shall be stainless steel and sealed from the pumped liquid with a carbon ceramic mechanical seal.

HYDROMATIC®

SKHS SERIES

SUBMERSIBLE NON-CLOG, SEWAGE EJECTOR

SPECIFICATION DATA

Wholesale Products Page: 6560-6

Dated: January 2001

7.01 IMPELLER

The Impeller shall be high capacity, two vane, non clog design with pump out vanes on the back side. These vanes wash out grit and stringy material that will damage the shaft and mechanical seal.

8.01 AUTOMATIC CONTROL

All single phase pumps should be capable of automatic operation.

9.01 FLOAT SWITCH

The SKHS 1Ø pumps is offered with a tilt-sensitive wide-angle float switch is sealed in a non-corrosive PVC enclosure. The unit is UL listed for water and sewage and CSA certified. The float switch shall also be fitted with a piggy-back plug that allows the pump to be operated manually without removal from the sump.

10.01 PAINTING

All cast iron parts shall be painted before assembly with a water reducible alkyd air dried enamel. The paint shall be applied in one coat with a minimum thickness of 3 to 4 mils.

12.01 TESTING

All pumps shall be individually tested to include the following:

1. The pump and power cord shall be visually inspected for imperfections, cuts or nicks.
2. The pump shall have a ground continuity check and the motor chamber shall be Hi-potted to test for moisture content and/or insulation defects.
3. The motor and volute housing shall be pressurized and a 10 second air leak decay test run.
4. Oil is added, and the pump is run. Voltage and current are monitored visually, electronically, and the tester listens for any noise or malfunction.



USA
293 WRIGHT STREET, DELAVAN, WI 53115 WWW.HYDROMATIC.COM
PH: 888-957-8677 ORDERS FAX: 800-426-9446

CANADA
269 TRILLIUM DRIVE, KITCHENER, ONTARIO, CANADA N2G 4W5
PH: 519-896-2163 ORDERS FAX: 519-896-6337

Because we are continuously improving our products and services, Pentair reserves the right to change specifications without prior notice.