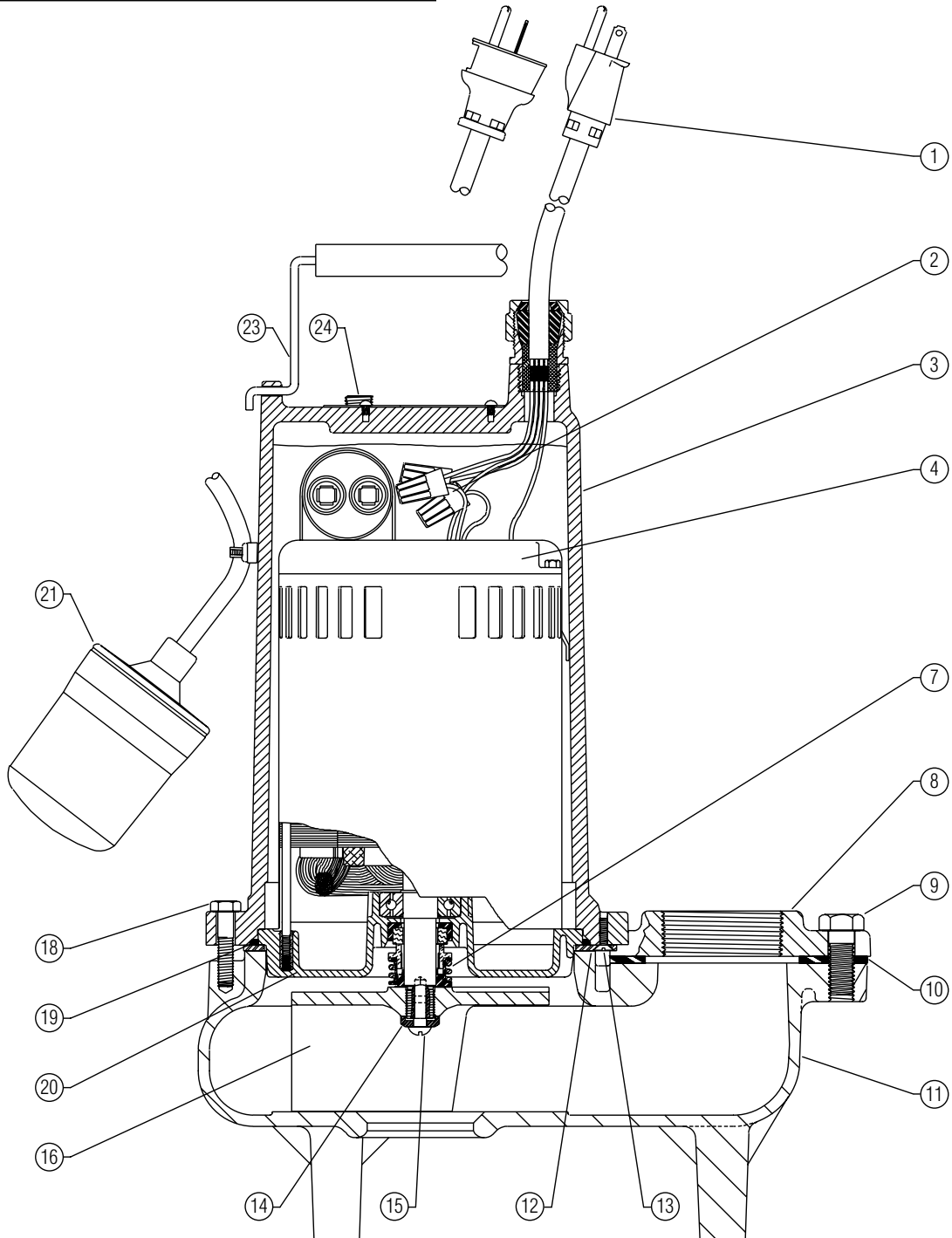
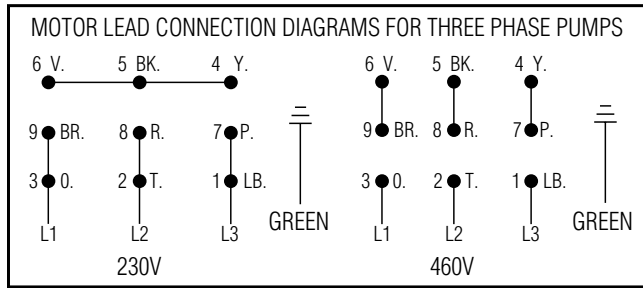


## SKHS50, SKHS100, SKHS150, SKHS200

### Single and Three Phase



## SKHS50, SKHS100, SKHS150, SKHS200

### Single and Three Phase

Item	Description	Qty.	SKHS50 Part Number	SKHS100 Part Number	SKHS150 Part Number	SKHS200 Part Number
1	Power Cord Assy.	1	132160015 (115V/1 $\phi$ - 20')	132160185 (208-230V 1 $\phi$ - 20')	132160185 (208-230V 1 $\phi$ - 20')	132160185 (208-230V 1 $\phi$ - 20')
			132160205 (208-230V 1 $\phi$ - 20')	116440895 (ALL 3 $\phi$ - 20')	116440895 (ALL 3 $\phi$ - 20')	116440895 (ALL 3 $\phi$ - 20')
			116440895 (ALL 3 $\phi$ - 20')	—		
2	Connector-Wire	4	000730011 (ALL 3 $\phi$ )			
3	Motor Housing	1	000565002			
4	Motor	1	149580001 (115V 1 $\phi$ )	149580081 (208V 1 $\phi$ )	149581011 (230V 1 $\phi$ )	149581051 (208/230V 1 $\phi$ )
			149580011 (230V 1 $\phi$ )	149580051 (230V 1 $\phi$ )	149581021 (230/460V 3 $\phi$ )	149581061 (208V 3 $\phi$ )
			149580021 (208/230/460V 3 $\phi$ )	149580061 (208/230/460V 3 $\phi$ )	149581031 (575V 1 $\phi$ )	149581071 (230/460V 3 $\phi$ )
			149580031 (575V 3 $\phi$ )	149580071 (575V 1 $\phi$ )	149581041 (208V 1 $\phi$ )	149581081 (575V 1 $\phi$ )
			149580041 (208V 1 $\phi$ )	—		
7	Seal-Type 21	1	22447A000			
8	Discharge Flange	1	002080002			
9	Screw-HHC	2	19103A052			
10	Flange Gasket	1	003240011			
11	Volute Case	1	068180022			
12	Clamp Ring	1	056770003			
13	Screw-Flat Head	3	009840011			
14	Impeller Washer	1	005180021 (3 $\phi$ ONLY)			
15	Screw-Flat Head	1	001110081 (3 $\phi$ ONLY)			
16	Impeller	1	047811052	047811072	047811112	047811122
18	Screw-HHC	3	001010101			
19	O-Ring	2	000770031			
20	Bearing/Seal Plate	1	068460002			
21	Float Switch Ass'y	1	145951201 (115V 1 $\phi$ ) 20'	139670251 (208/230V 1 $\phi$ )	145950201 (208/230V 1 $\phi$ )	—
			139670251 (208/230V 1 $\phi$ ) 20'	—		
23	Handle Ass'y	1	000600005			
24	Pipe Plug	1	149810011			