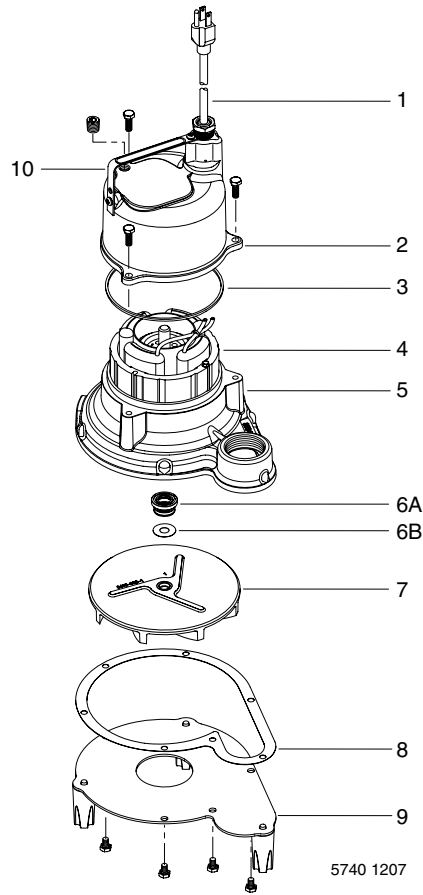


## EXPLODED VIEW



## REPAIR PARTS LIST

Key No.	Part Description	Qty	Part Number
1	Cord 115V 20'	1	14623-020-1
1	Cord 115V 30'	1	14623-030-1
1	Cord 230V 20'	1	14623-220-1
1	Cord 230V 30'	1	14623-230-1
•	Cord Seal Ring	1	00139-014-1
2	Motor Housing	1	08507-013-5
3	Seal-Ring	1	00149-001-1
4	Motor	1	*
5	Volute Case	1	8504-005-2
6A	Seal Half, Stationary	1	05484-001-1
6B	Seal Half, Rotating	1	05484-003-1
7	Impeller	1	14577-000-1
8	Bottom Plate Gasket	1	14828-000-1
9	Bottom Plate	1	8521-006-1
•	Wide Angle Float Switch, 115V 20'	1	13967-020-7
•	Wide Angle Float Switch, 115V 30'	1	13967-030-7
•	Wide Angle Float Switch, 230V 20'	1	13967-025-7
•	Wide Angle Float Switch, 230V 30'	1	13967-035-7
10	Handle	1	08522-006-3

\* If motor fails, replace entire pump.

• Not Illustrated