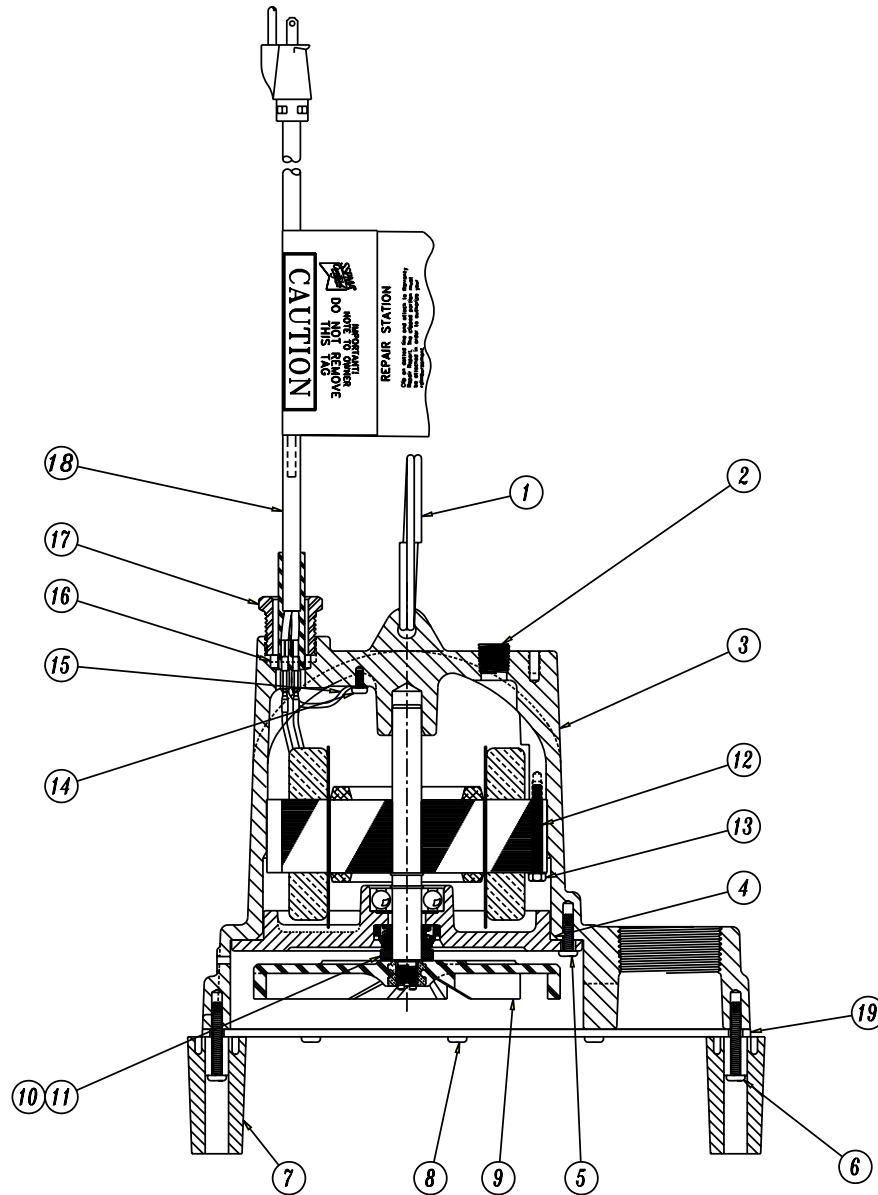


# SHEF30 Parts List



Ref. No.	Part No.	Description	Qty.	Ref. No.	Part No.	Description	Qty.
1	26230A000	Ring Handle	1	15	600-053-1	Wire with Terminal	1
2	14981-001-1	Pipe Plug	1	16	139-014-1	O-Ring	1
3	8507-202-2	Motor Housing	1	17	75-005-1	Cord Nut	1
4	834-030-1	O-Ring	1	18	14623-010-1	Power Cord 10'	1
5	14770-005-1	Pan Screw	6	18	14623-020-1	Power Cord 20'	1
6	14770-002-1	Pan Screw	3	19	8521-001-1	Bottom Plate	1
7	13507-001-1	Leg	3				
8	14770-006-1	Pan Screw	2				
9	8498-003-1	Impeller	1				
10	5484-003-1	Seal (Rotating)	1	NOT SHOWN	14470-010-7	FOR AUTOMATIC OPERATION WIDE ANGLE SWITCH KIT 10'	1
11	5484-001-1	Seal (Stationary)	1		14470-020-7	WIDE ANGLE SWITCH KIT 20'	1
12	14581-500-1	Motor Assembly	1		51752-100-7	DIAPHRAGM SWITCH 10'	1
13	145-001-1	Stator Screw	2		51752-101-7	DIAPHRAGM SWITCH 20'	1
14	14770-001-1	Screw	1		13869-510-5	VERTICAL SWITCH 10'	1
					13869-520-5	VERTICAL SWITCH 20'	1