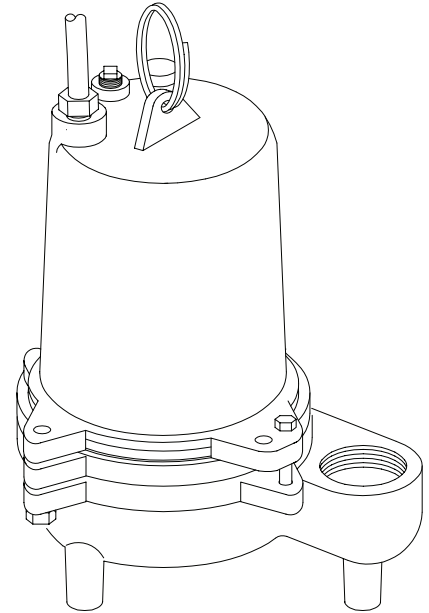


DISCHARGE2" NPT, Female, Vertical
LIQUID TEMPERATURE 104°F (40°C) Continuous
VOLUTE.....Cast Iron ASTM A-48, Class 30
MOTOR HOUSINGCast Iron ASTM A-48, Class 30
SEAL PLATECast Iron ASTM A-48, Class 30
IMPELLER: Design.....**SE** - 2 Vane, Open.
SEV - 12 Vane, Vortex.
with pump out vanes on back side.
Dynamically Balanced, ISO G6.3
Material**SE** - Cast Iron ASTM A-48, Class 30
SEV - Cast Iron ASTM, A-48, Class 30
SHAFT416 Stainless Steel
SQUARE RINGSBuna-N
HARDWARE300 Series Stainless Steel
PAINTAir Dry Enamel
SEAL: **Design**Single Mechanical, Oil Filled Reservoir,
Secondary Exclusion Seal
MaterialCarbon/Ceramic/Buna-N
Hardware -300 Series Stainless
CORD ENTRY 15 ft. (5m) Quick Disconnect Cord with plug
On 115 Volt, Pressure Grommet for sealing
and strain relief
SPEED 1750 RPM (Nominal)
UPPER BEARING.....Single Row, Ball, Oil Lubricated
Load.....Radial
LOWER BEARING.....Single Row, Ball, Oil Lubricated
Load.....Radial & Thrust
MOTOR: DesignNEMA L Torque Curve, Oil Filled, Squirrel
Cage Induction
Insulation Class B
SINGLE PHASE.....Permanent Split Capacitor (PSC)
Includes Overload Protection in Motor
LEVEL CONTROL "**A**" - Wide Angle, PVC, Mechanical, 15 ft (5m)
cord with Piggy-Back Plug, N/O
"**AU**"- Wide Angle, Polypropylene,
Mechanical, N/O, Integral to pump.
ON and OFF Points are adjustable
"**VF**" - Vertical Float, PVC, Snap Action,
15 ft (5m) cord, with Piggy-Back plug.
OFF point ONLY is adjustable
OPTIONAL EQUIPMENTSeal Material, Additional Cord
RECOMMENDED:
Accessories.....Break Away Fitting (BAF)
Check Valve
Control Panel
Seal Kit PN085202
Service Kit PN.085201



Series:
SE .5HP, 1750RPM, 60Hz
SEV .5HP, 1750RPM, 60Hz



Sample Specifications: Section 1 Page 3.

DESCRIPTION:

SUBMERSIBLE NON-CLOG SEWAGE PUMP
DESIGNED FOR TYPICAL RAW SEWAGE
APPLICATIONS

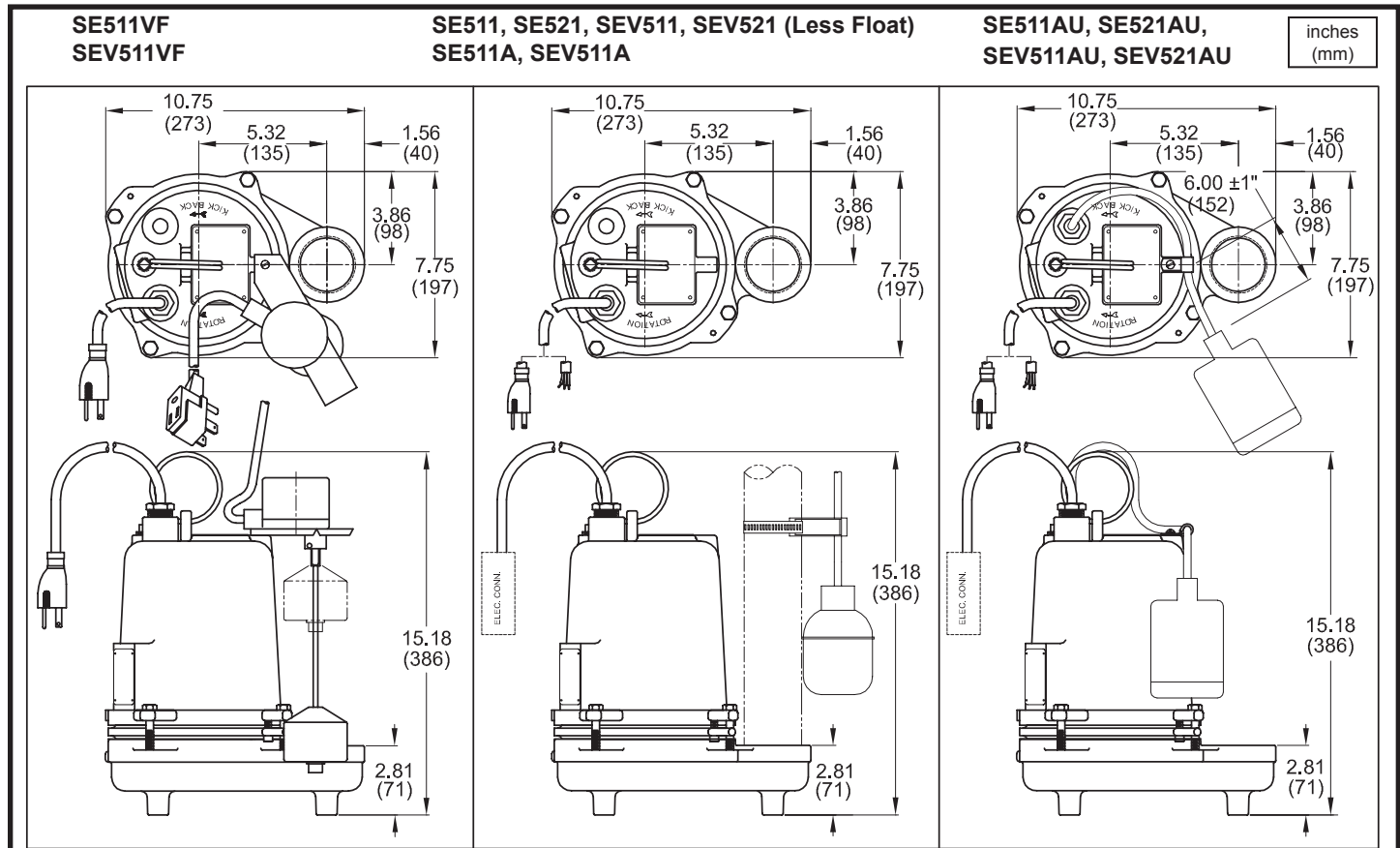
Series SE/SEV-511/521

2" Spherical Solids Handling
Manual & Automatic

BARNES®

www.cranepumps.com

1½", 2" & 3" Discharge



MODEL NO	PART NO	HP	VOLT/PH	Hz	RPM (Nom)	NEMA START CODE	FULL LOAD AMPS	LOCKED ROTOR AMPS	CORD SIZE	CORD TYPE	CORD O.D. inch (mm)
SE511	096752	0.5	115/1	60	1750	A	12.0	26.0	14/3	SJTOW	0.375 (9.5)
SE511A	096753	0.5	115/1	60	1750	A	12.0	26.0	14/3	SJTOW	0.375 (9.5)
SE511AU	096754	0.5	115/1	60	1750	A	12.0	26.0	14/3	SJTOW	0.375 (9.5)
SE511VF	100837	0.5	115/1	60	1750	A	12.0	26.0	14/3	SJTOW	0.375 (9.5)
SE521	096755	0.5	230/1	60	1750	A	6.2	13.0	14/3	SJTOW	0.375 (9.5)
SE521AU	096756	0.5	230/1	60	1750	A	6.2	13.0	14/3	SJTOW	0.375 (9.5)
SEV511	096757	0.5	115/1	60	1750	A	12.0	26.0	14/3	SJTOW	0.375 (9.5)
SEV511A	096758	0.5	115/1	60	1750	A	12.0	26.0	14/3	SJTOW	0.375 (9.5)
SEV511AU	096759	0.5	115/1	60	1750	A	12.0	26.0	14/3	SJTOW	0.375 (9.5)
SEV511VF	100838	0.5	115/1	60	1750	A	12.0	26.0	14/3	SJTOW	0.375 (9.5)
SEV521	096760	0.5	230/1	60	1750	A	6.2	13.0	14/3	SJTOW	0.375 (9.5)
SEV521AU	096761	0.5	230/1	60	1750	A	6.2	13.0	14/3	SJTOW	0.375 (9.5)

Mechanical Switch on SE-A, cord 16/2, SJOW, Piggy-Back Plug
 Mechanical Switch on SE-AU, cord 14/2, SJOW, 0.370 (9.4mm) O.D.
 Vertical Switch on SE-VF, cord 16/2, SJOW, 0.320 (8.1mm) O.D. Piggy-Back Plug

IMPORTANT !

- 1.) PUMP MAY BE OPERATED "DRY" FOR EXTENDED PERIODS WITHOUT DAMAGE TO MOTOR AND/OR SEALS.
- 2.) INSTALLATIONS SUCH AS DECORATIVE FOUNTAINS OR WATER FEATURES PROVIDED FOR VISUAL ENJOYMENT MUST BE INSTALLED IN ACCORDANCE WITH THE NATIONAL ELECTRIC CODE ANSI/NFPA 70 AND/OR THE AUTHORITY HAVING JURISDICTION. THIS PUMP IS NOT INTENDED FOR USE IN SWIMMING POOLS, RECREATIONAL WATER PARKS, OR INSTALLATIONS IN WHICH HUMAN CONTACT WITH PUMPED MEDIA IS A COMMON OCCURRENCE.

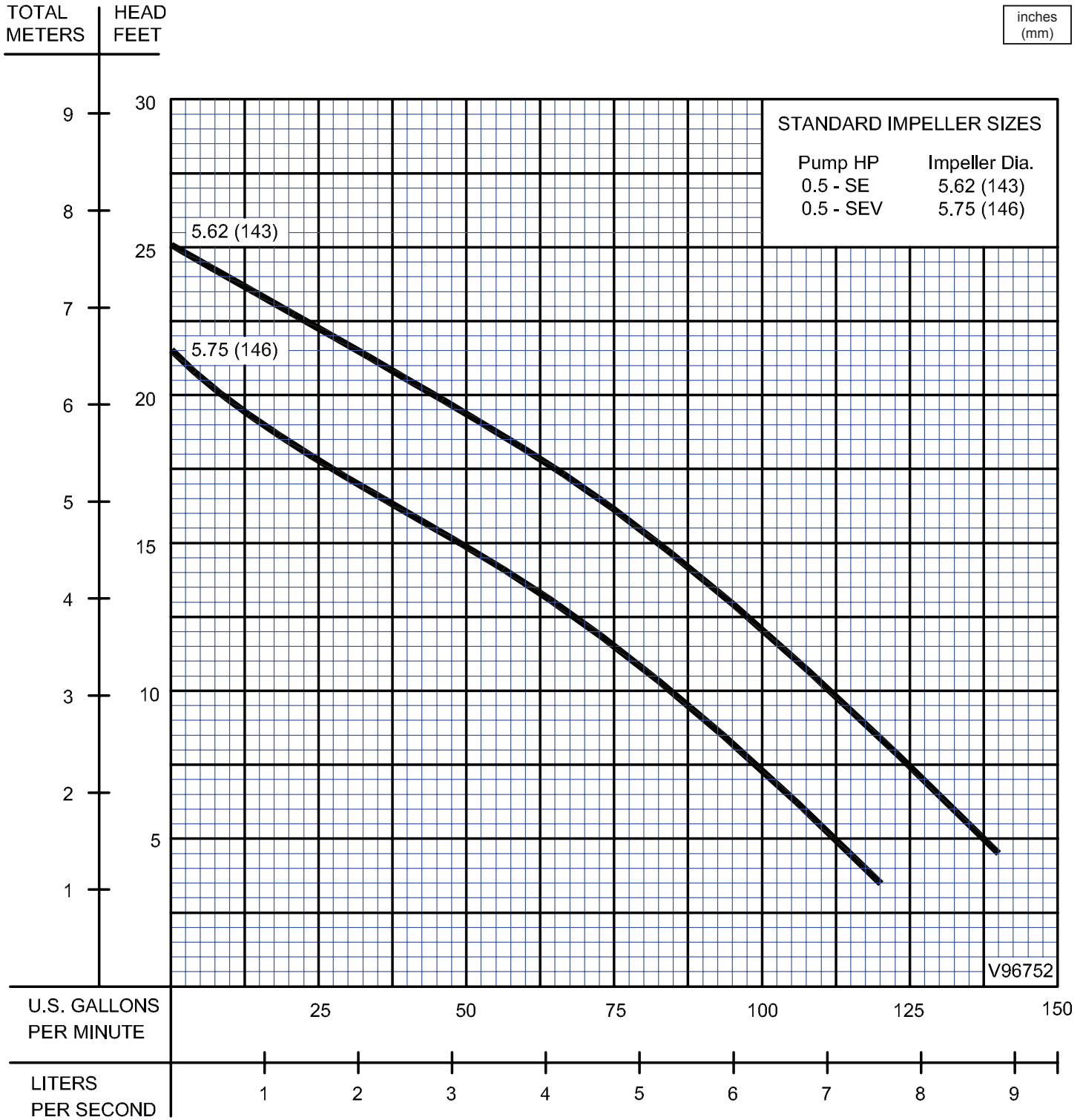
SECTION 1B
PAGE 8
DATE 3/14

CRANE
®

A Crane Co. Company

PUMPS & SYSTEMS

USA: (937) 778-8947 • Canada: (905) 457-6223 • International: (937) 615-3598



Testing is performed with water, specific gravity 1.0 @ 68° F @ (20°C), other fluids may vary performance