

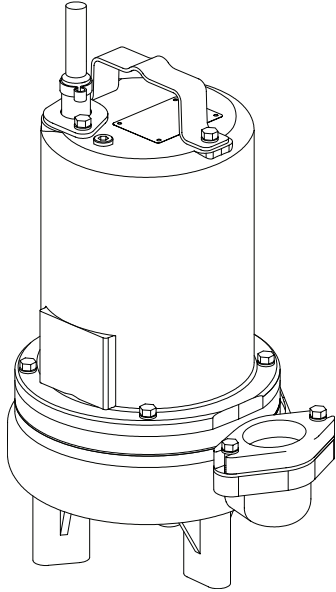
Series SE-HT

2" Spherical Solids Handling
High Temperature - Manual & Automatic

BARNES®

www.cranepumps.com

1½", 2" & 3" Discharge



DISCHARGE	2" NPT, Female, Vertical, Bolt-on Flange
LIQUID TEMPERATURE	200°F (98°C) Continuous
VOLUTE	Cast Iron ASTM A-48, Class 30
MOTOR HOUSING	Cast Iron ASTM A-48, Class 30
SEAL PLATE	Cast Iron ASTM A-48, Class 30
IMPELLER: Design	2 Vane, open, with pump out vanes on back side. Dynamically balanced, ISO G6.3
Material	Cast Iron ASTM A-48, Class 30
SHAFT	416 Stainless Steel
SQUARE RINGS	Buna-N
HARDWARE	300 Series Stainless Steel
PAINT	Air Dry Enamel
SEAL: Design	Single Mechanical
Material	Carbon/Ceramic/Buna-N
CORD ENTRY	15 ft. (5m) Cord with plug on 120 & 240 Volt, Quick connect custom molded for sealing and strain relief
SPEED	1750 RPM (Nominal)
UPPER BEARING	Single Row, Ball, Oil lubricated
Load	Radial
LOWER BEARING	Single Row, Ball, Oil lubricated
Load	Radial & Thrust
MOTOR: Design	NEMA L -Single Phase Torque Curve
Insulation	Oil Filled, Squirrel Cage Induction
Class F	
SINGLE PHASE	Includes Overload Protection in Motor
LEVEL CONTROL	"A" - Wide Angle, PVC, Mechanical, 15 ft (5m) cord with Piggy-Back Plug, N/O
	"AU"- Wide Angle, Polypropylene, Mechanical, N/O Integral to pump. ON and OFF Points are adjustable
OPTIONAL EQUIPMENT	Seal Material, Impeller Trims, Additional cord, *Inlet Strainer

(* 3/4" Spherical solids handling with optional inlet strainer.)

RECOMMENDED:

Accessories	Break Away Fitting (BAF) Check Valve Control Panel
Seal Kit PN	130180
Service Kit PN	130207

Series: SE (SE51HT & SE52HT) .5 HP, 1750RPM, 60Hz



Sample Specifications: Section 1 Page 6.

DESCRIPTION:

SUBMERSIBLE NON-CLOG SEWAGE PUMP
DESIGNED FOR **HIGH TEMPERATURE** RAW
SEWAGE APPLICATIONS

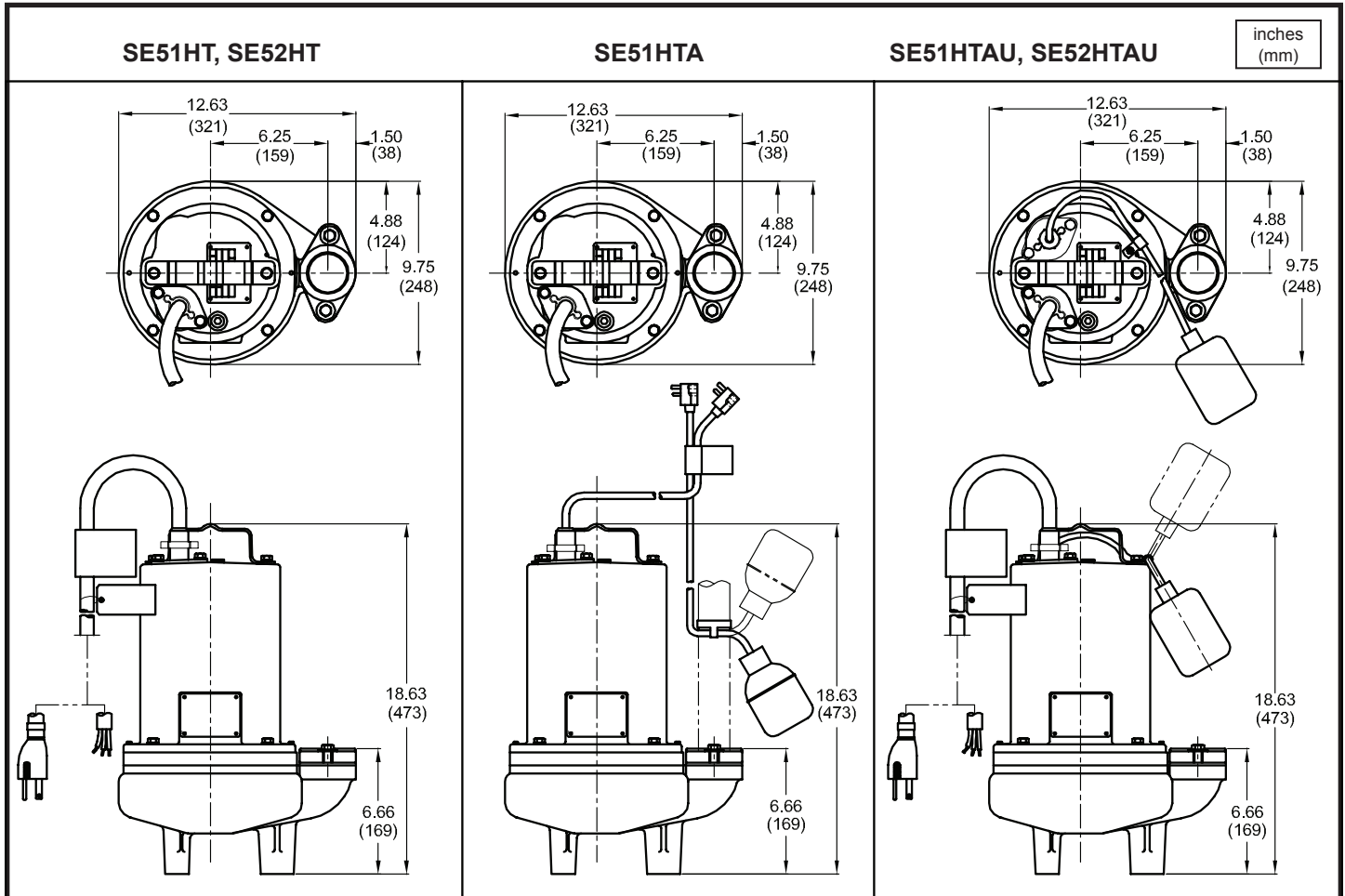
SECTION 1B
PAGE 16
DATE 6/10



A Crane Co. Company

PUMPS & SYSTEMS

USA: (937) 778-8947 • Canada: (905) 457-6223 • International: (937) 615-3598



MODEL NO	PART NO	HP	VOLT/PH	Hz	RPM (Nom)	NEMA START CODE	FULL LOAD AMPS	LOCKED ROTOR AMPS	CORD SIZE	CORD TYPE	CORD O.D inch (mm)
SE51HT	104876	0.5	120/1	60	1750	R	17.0	63.8	14/3	SOW	0.530 (13.5)
SE51HTA	104877	0.5	120/1	60	1750	R	17.0	63.8	14/3	SOW	0.530 (13.5)
SE51HTAU	104878	0.5	120/1	60	1750	R	17.0	63.8	14/3	SOW	0.530 (13.5)
SE52HT	104879	0.5	240/1	60	1750	R	8.5	30.1	14/3	SOW	0.530 (13.5)
SE52HTAU	104880	0.5	240/1	60	1750	R	8.5	30.1	14/3	SOW	0.530 (13.5)

Mechanical Switch on SE51HTA, cord 16/2, SJOW, 0.320 (8.1mm) O.D. Piggy-Back Plug
Mechanical Switch on SE51HTAU, cord 14/2, SJOW, 0.345 (8.8mm) O.D.

IMPORTANT !

- 1.) PUMP MAY BE OPERATED "DRY" FOR EXTENDED PERIODS WITHOUT DAMAGE TO MOTOR AND/OR SEALS.
- 2.) INSTALLATIONS SUCH AS DECORATIVE FOUNTAINS OR WATER FEATURES PROVIDED FOR VISUAL ENJOYMENT MUST BE INSTALLED IN ACCORDANCE WITH THE NATIONAL ELECTRIC CODE ANSI/NFPA 70 AND/OR THE AUTHORITY HAVING JURISDICTION. THIS PUMP IS NOT INTENDED FOR USE IN SWIMMING POOLS, RECREATIONAL WATER PARKS, OR INSTALLATIONS IN WHICH HUMAN CONTACT WITH PUMPED MEDIA IS A COMMON OCCURRENCE.
- 3.) MUST USE A HIGH TEMPERATURE WIDE ANGLE LEVEL CONTROL IN HIGH TEMPERATURE APPLICATIONS.

Series SE-HT

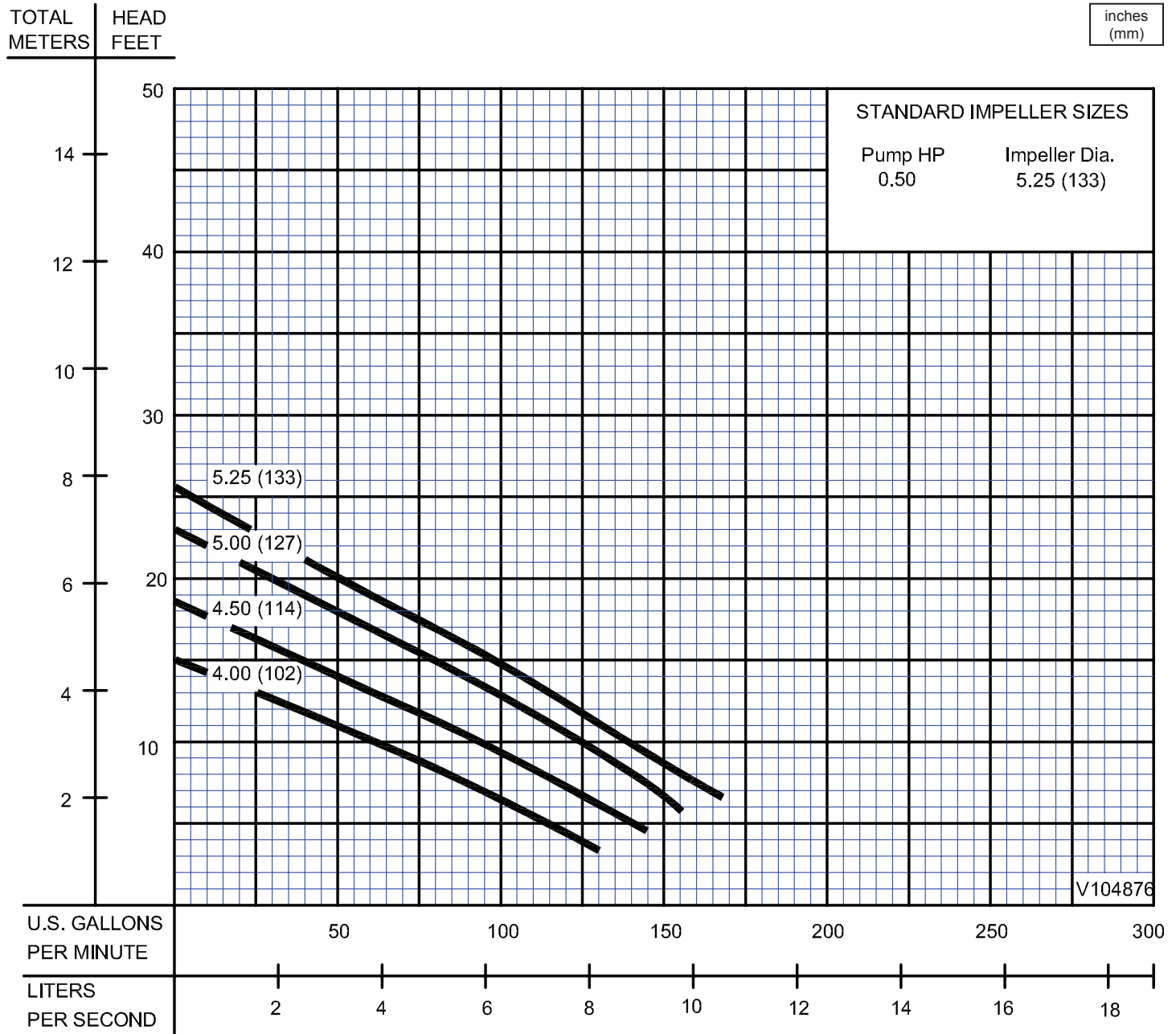
Performance Curve

.5HP, 1750RPM, 60Hz, High Temperature

BARNES®

www.cranepumps.com

1½", 2" & 3" Discharge



Testing is performed with water, specific gravity 1.0 @ 68° F @ (20°C), other fluids may vary performance

SECTION 1B
PAGE 18
DATE 6/04

CRANE®

A Crane Co. Company

PUMPS & SYSTEMS

USA: (937) 778-8947 • Canada: (905) 457-6223 • International: (937) 615-3598