

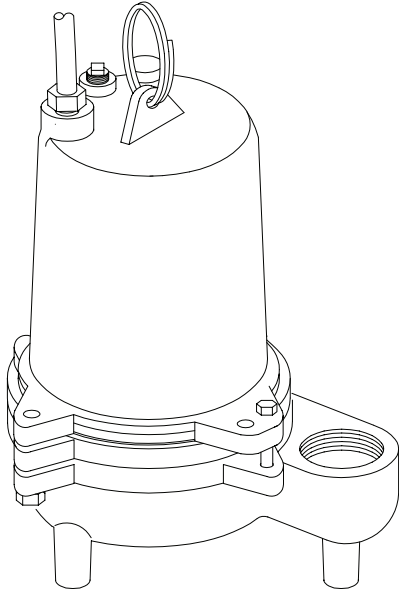
Series SE-HT

2" Spherical Solids Handling
High Temperature - Manual & Automatic

BARNES®

www.cranepumps.com

1½", 2" & 3" Discharge



- DISCHARGE** 2" NPT, Female, Vertical
- LIQUID TEMPERATURE** 200°F (93°C) Continuous
- VOLUTE** Cast Iron ASTM A-48, Class 30
- MOTOR HOUSING** Cast Iron ASTM A-48, Class 30
- SEAL PLATE** Cast Iron ASTM A-48, Class 30
- IMPELLER: Design** 2 Vane, Open with pump out vanes on back side, Dynamically Balanced, ISO G6.3
- Material** Cast Iron ASTM A-48, Class 30
- SHAFT** 416 Stainless Steel
- SQUARE RINGS** Buna-N
- HARDWARE** 300 Series Stainless Steel
- PAINT** Air Dry Enamel
- SEAL: Design** Single Mechanical, Oil Filled Reservoir, Secondary Exclusion Seal
- Material** Carbon/Ceramic/Buna-N
- Hardware -300 Series Stainless
- CORD ENTRY** 15 ft. (5m) Cord with plug On 115 volt, Pressure Grommet for sealing and strain relief
- SPEED** 1750 RPM (Nominal)
- UPPER BEARING** Single Row, Ball, Oil Lubricated
- Load** Radial
- LOWER BEARING** Single Row, Ball, Oil Lubricated
- Load** Radial & Thrust
- MOTOR: Design** NEMA L Torque Curve, Oil Filled, Squirrel Cage Induction
- Insulation** Class F
- SINGLE PHASE** Permanent Split Capacitor (PSC)
Includes Overload Protection in Motor
- LEVEL CONTROL** "A" - Wide Angle, PVC, Mechanical, 15 ft (5m) cord with Piggy-Back Plug, N/O
- "AU"- Wide Angle, Polypropylene, Mechanical, N/O, Integral to pump.
ON and OFF Points are adjustable
- OPTIONAL EQUIPMENT** Seal Material, Additional Cord, Strainer

RECOMMENDED:

- Accessories** Break Away Fitting (BAF)
Check Valve
Control Panel
- Seal Kit PN** 085202
- Service Kit PN** 085201

Series: SE-HT (SE411HT & SE421HT)
.4HP, 1750RPM, 60Hz



Sample Specifications: Section 1 Page 4.

DESCRIPTION:

SUBMERSIBLE NON-CLOG SEWAGE PUMP
DESIGNED FOR **HIGH TEMPERATURE** RAW
SEWAGE APPLICATIONS

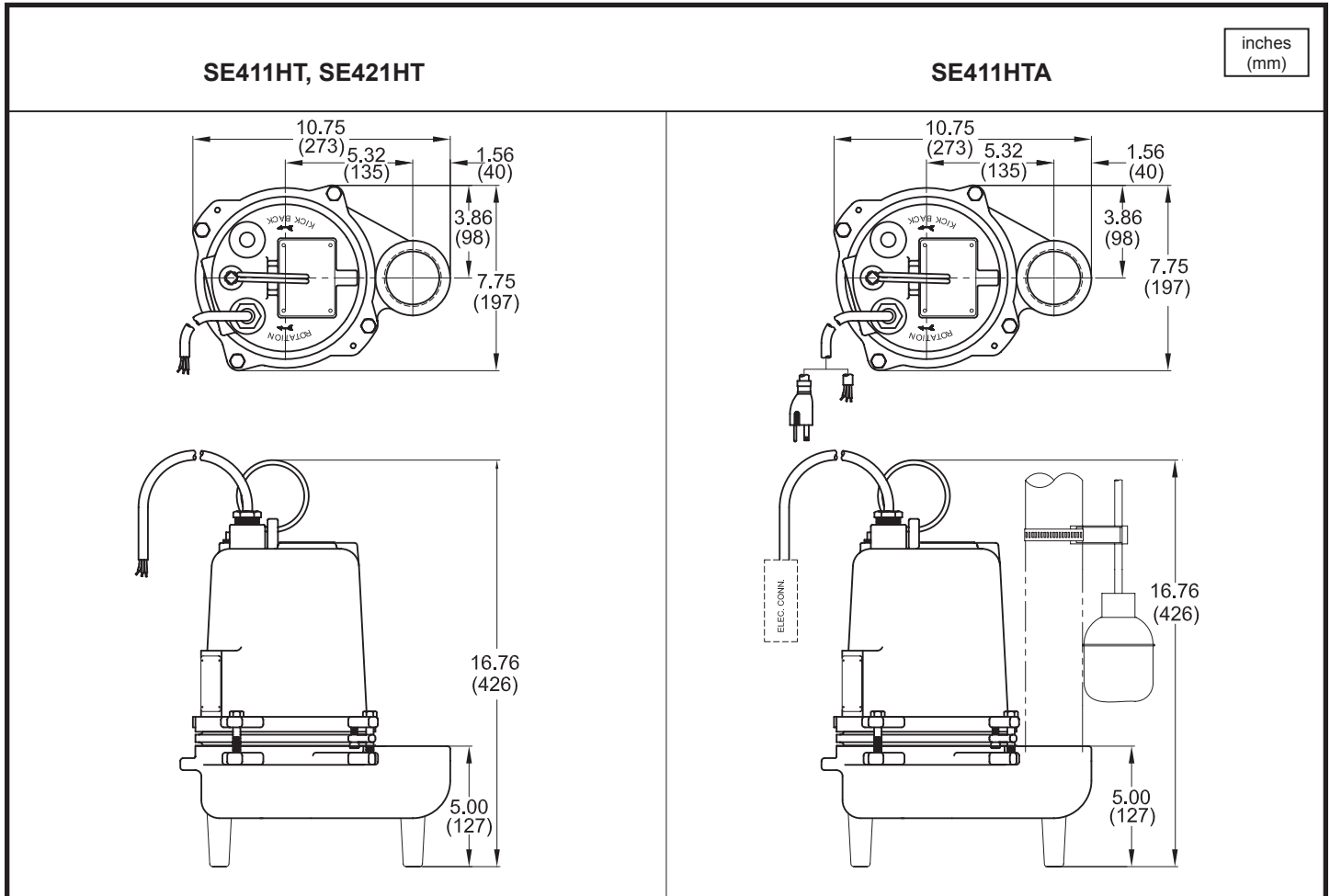
SECTION 1B
PAGE 4
DATE 6/10

CRANE®

A Crane Co. Company

PUMPS & SYSTEMS

USA: (937) 778-8947 • Canada: (905) 457-6223 • International: (937) 615-3598



MODEL NO	PART NO	HP	VOLT	PH/Hz	RPM (Nom)	NEMA START CODE	FULL LOAD AMPS	LOCKED ROTOR AMPS	CORD SIZE	CORD TYPE	CORD O.D inch (mm)
SE411HT	096764	0.4	115	1 / 60	1750	A	10.0	26.0	14/3	SOOW	0.560 (14.2)
SE411HTA	096765	0.4	115	1 / 60	1750	A	10.0	26.0	14/3	SOOW	0.560 (14.2)
SE421HT	096767	0.4	230	1 / 60	1750	A	4.0	13.0	14/3	SOOW	0.560 (14.2)

Mechanical Switch on SE-HTA, cord 14/2, SJOW, 0.370 (9.4mm) O.D. Piggy-Back Plug
Mechanical Switch on SE-HTAU, cord 14/2, SJOW, 0.370 (9.4mm) O.D.

IMPORTANT !

- 1.) PUMP MAY BE OPERATED "DRY" FOR EXTENDED PERIODS WITHOUT DAMAGE TO MOTOR AND/OR SEALS.
- 2.) INSTALLATIONS SUCH AS DECORATIVE FOUNTAINS OR WATER FEATURES PROVIDED FOR VISUAL ENJOYMENT MUST BE INSTALLED IN ACCORDANCE WITH THE NATIONAL ELECTRIC CODE ANSI/NFPA 70 AND/OR THE AUTHORITY HAVING JURISDICTION. THIS PUMP IS NOT INTENDED FOR USE IN SWIMMING POOLS, RECREATIONAL WATER PARKS, OR INSTALLATIONS IN WHICH HUMAN CONTACT WITH PUMPED MEDIA IS A COMMON OCCURRENCE.
- 3.) MUST USE A **HIGH TEMPERATURE** WIDE ANGLE LEVEL CONTROL IN HIGH TEMPERATURE APPLICATIONS.

Series SE-HT

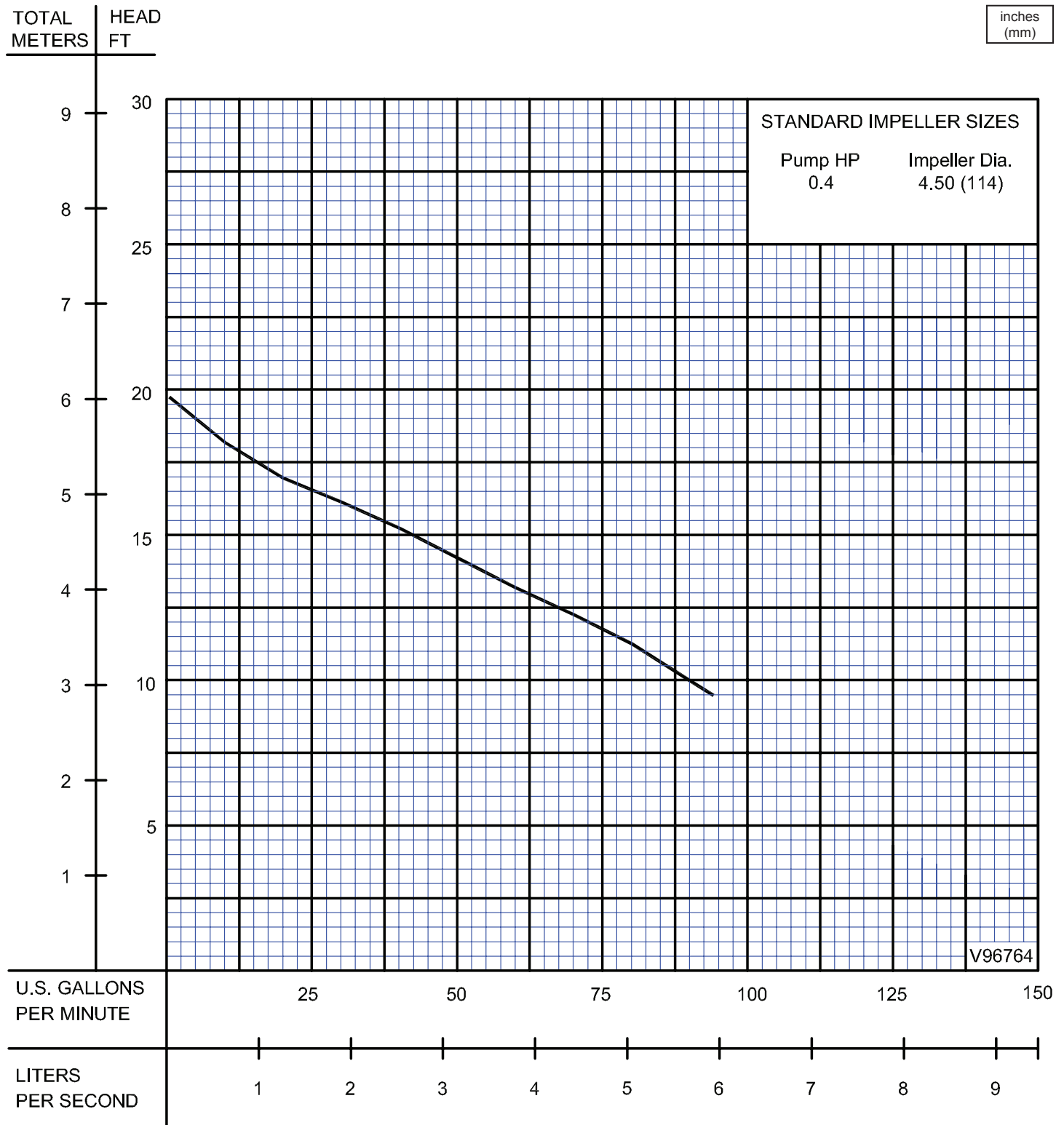
Performance Curve

.4HP, 1750RPM, 60Hz, High Temperature

BARNES®

www.cranepumps.com

1½", 2" & 3" Discharge



Testing is performed with water, specific gravity 1.0 @ 68° F @ (20°C), other fluids may vary performance

SECTION 1B
PAGE 6
DATE 6/04

CRANE
A Crane Co. Company

PUMPS & SYSTEMS

USA: (937) 778-8947 • Canada: (905) 457-6223 • International: (937) 615-3598