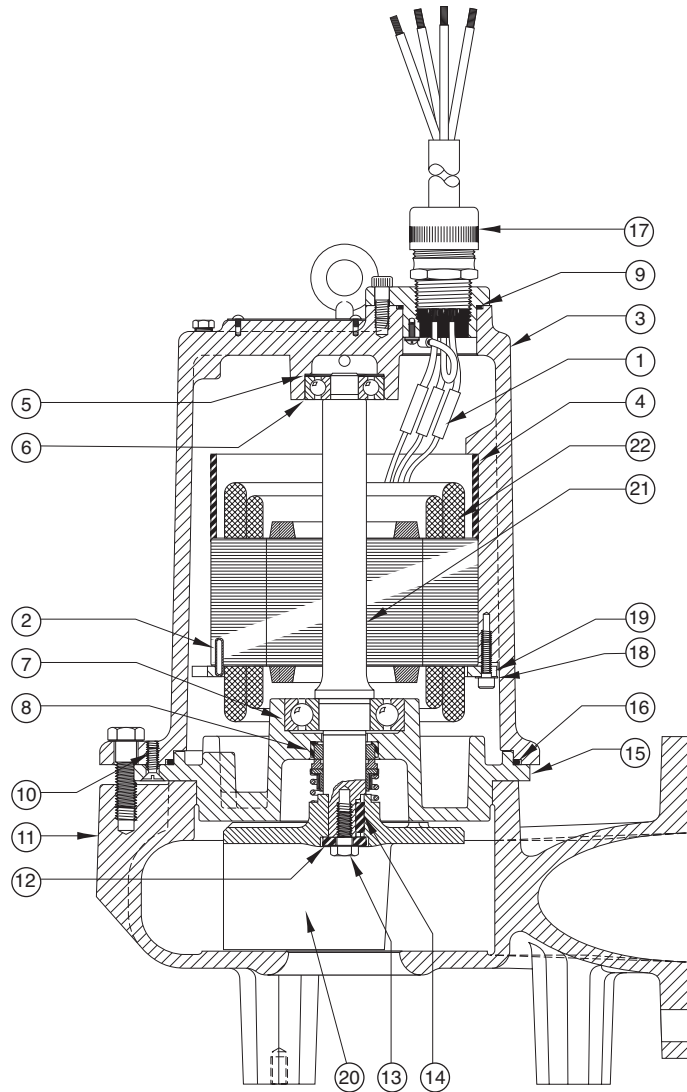


S3S/SB3S Parts List

Item	Eng. No.	Part Description	Qty.
1	12672A001	Wire Connector (all 1 ϕ & 200/575V, 3 ϕ)	3
	002820011	Wire Connector (230/460V, 3 ϕ)	6
2	054540011	Roll Pin	1
3	133910002	Motor Housing	1
4	007360011	Spacer Ring (2 hp 1 ϕ)	1
	007360001	Spacer Ring (2 hp 3 ϕ)	1
5	000640031	Load Spring	1
6	000650211	Upper Bearing	1
7	000650271	Lower Bearing	1
8	003000001	Shaft Seal	S 1
	006960001	Shaft Seal (Carbide) Opt	C 1
9	008340151	O-ring	SC 1
10	011300031	Machine Screw (Flat Head)	4
11	099470002	Valute Case for S3S (shown)	1
	099471002	Valute Case for SB3S	1
12	100120001	Impeller Washer	1
13	19101A003	Impeller Capscrew	1
14	101020011	Key	1
15	099520022	Seal Plate	1
16	001500211	O-ring	SC 1
17	152710335	35' Cord Assembly 14-4	1
	152710305	35' Cord Assembly 12-4	1
	152710315	35' Cord Assembly 10-4	1
18	009950081	Lockwasher	4
19	002990021	Stator Retaining Ring	1
20	099270082	Impeller – 5.25"	1
	099270092	Impeller – 5.69"	1
	099270162	Impeller – 6.06"	1
21	007400195	Rotor w/Shaft (2 hp 1 ϕ)	1
	077730185	Rotor w/Shaft (2 hp 3 ϕ)	1
	013290245	Rotor w/Shaft (3 hp 1 ϕ)	1
	013290245	Rotor w/Shaft (3 hp 3 ϕ)	1
22	24407C215	Stator (2 hp 1 ϕ 230V)	1
	24407C217	Stator (2 hp 3 ϕ 230/460V)	1
	24407C216	Stator (2 hp 3 ϕ 200V)	1
	24407C218	Stator (2 hp 3 ϕ 575V)	1
	24407C200	Stator (3 hp 1 ϕ 230V)	1
	24407C202	Stator (3 hp 3 ϕ 230/460V)	1
	24407C201	Stator (3 hp 3 ϕ 200V)	1
	24407C203	Stator (3 hp 3 ϕ 575V)	1
	517000607	Seal Kit	
	517003607	Carbide Seal Kit	
	003560002	Discharge Flange	1



Notes: S — Parts in Seal Kit C — Parts in Carbide Seal Kit — Fill Oil to above Motor Windings