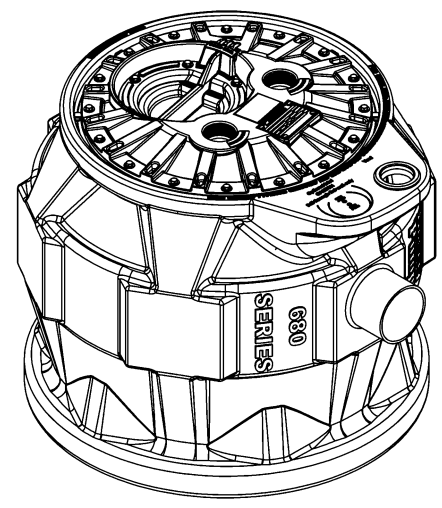
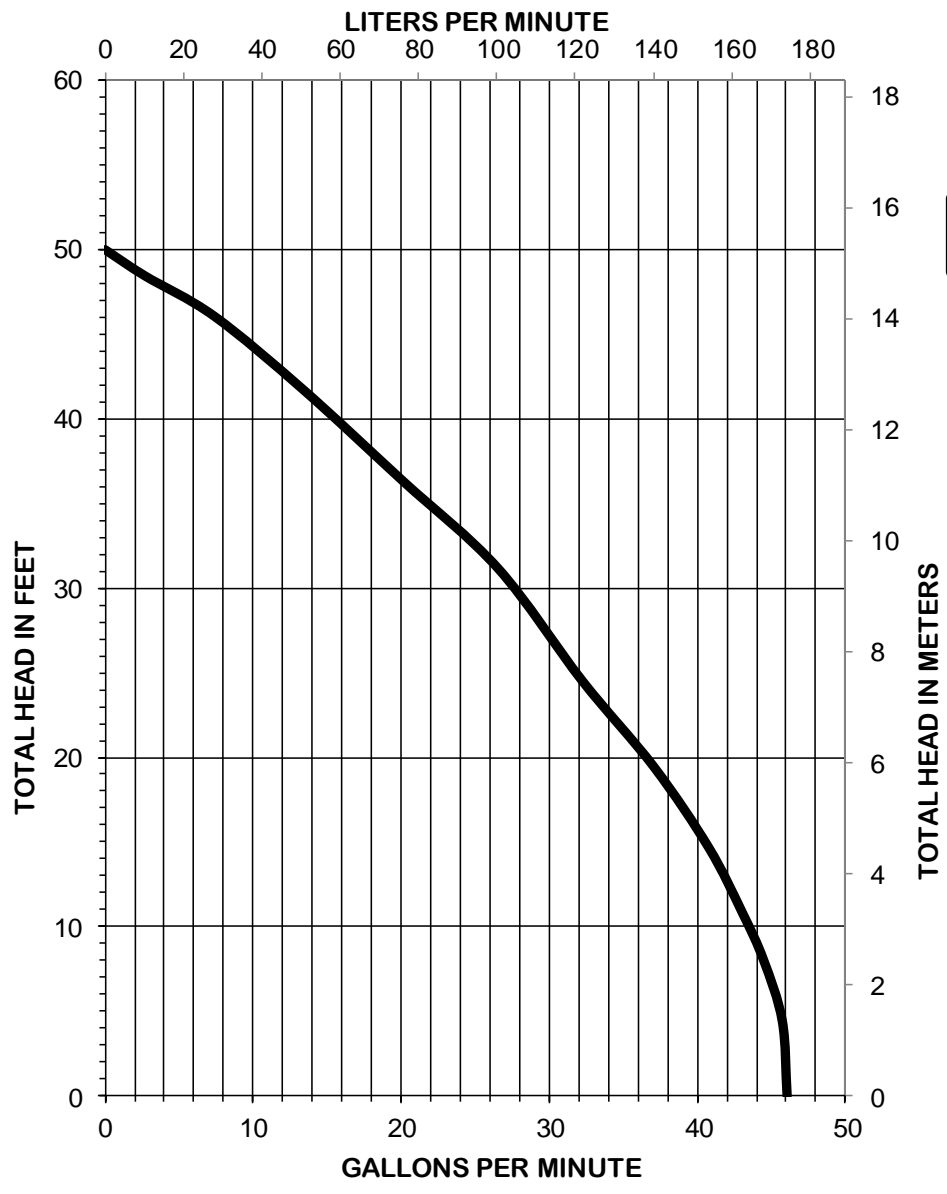
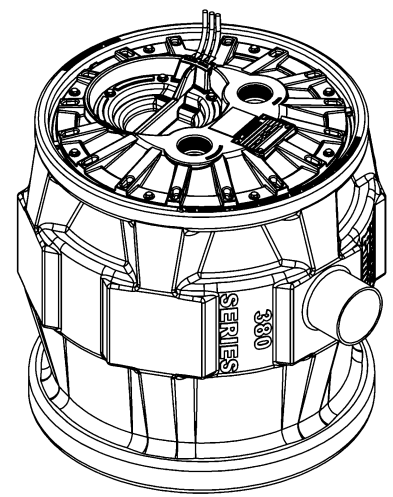


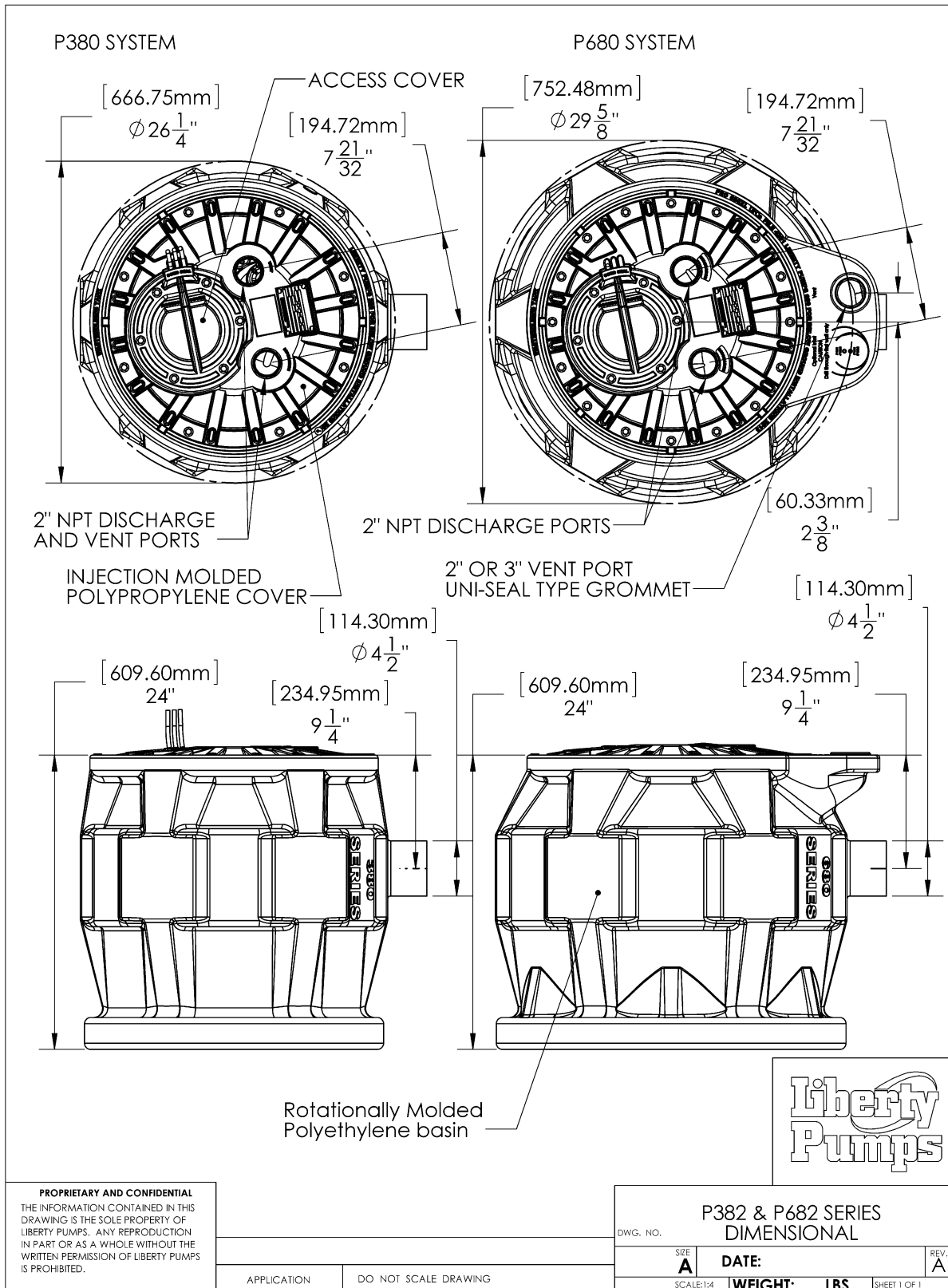


Product Specifications

ProVore® 380 & ProVore® 680 - Series Residential Grinder Packages



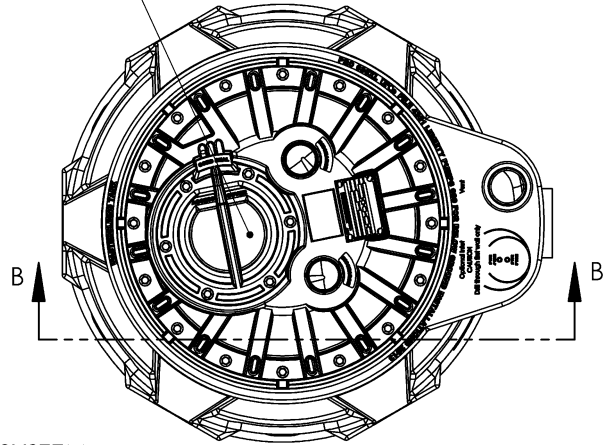
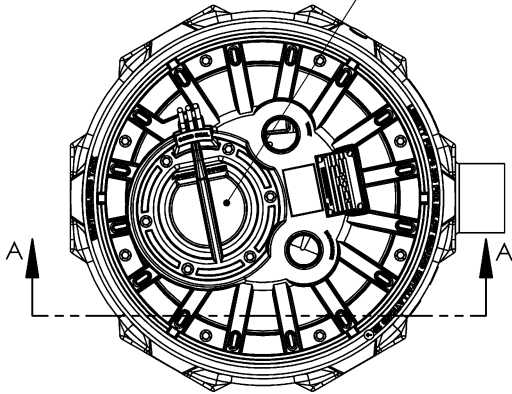
ProVore® 380 & ProVore® 680 Series Dimensional Data



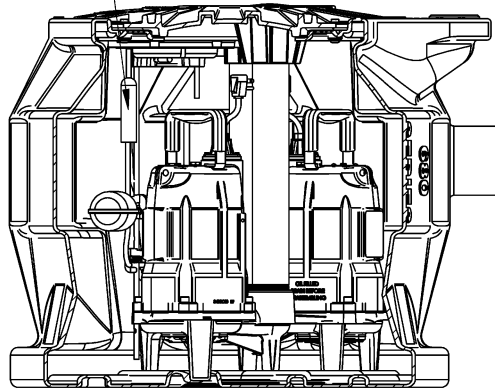
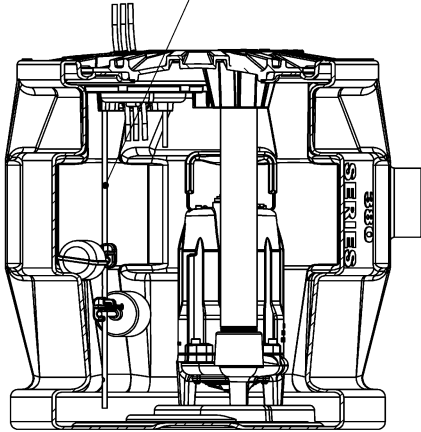
P380 SYSTEM

P680 SYSTEM

ACCESS COVER

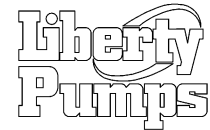


QUICKTREE FLOAT SYSTEM
ALLOWS REMOVAL OF FLOATS
WITHOUT PULLING THE PUMP



SECTION A-A

SECTION B-B



PROPRIETARY AND CONFIDENTIAL
THE INFORMATION CONTAINED IN THIS DRAWING IS THE SOLE PROPERTY OF LIBERTY PUMPS. ANY REPRODUCTION IN PART OR AS A WHOLE WITHOUT THE WRITTEN PERMISSION OF LIBERTY PUMPS IS PROHIBITED.

P382 & P682 SERIES
DIMENSIONAL

DWG. NO.

SIZE
A

DATE:

REV.
A

APPLICATION

DO NOT SCALE DRAWING

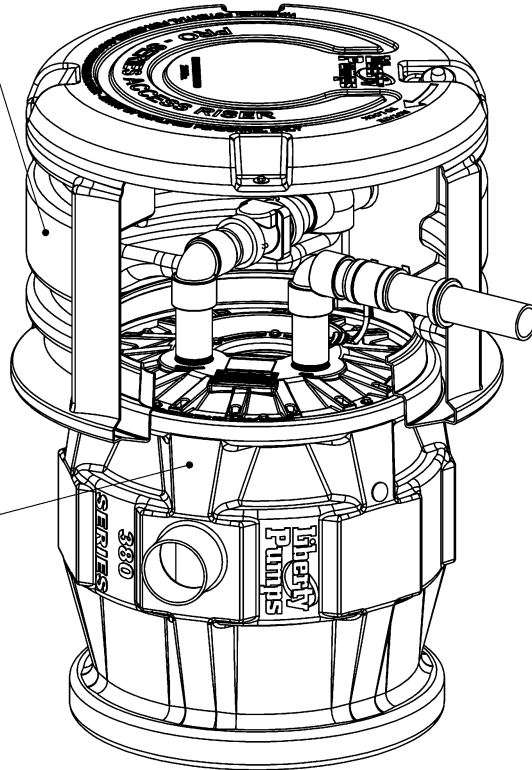
SCALE:1:4

WEIGHT:

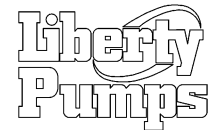
LBS

SHEET 1 OF 1

OPTIONAL
ARC18 RISER



P380 SYSTEM



PROPRIETARY AND CONFIDENTIAL
THE INFORMATION CONTAINED IN THIS DRAWING IS THE SOLE PROPERTY OF LIBERTY PUMPS. ANY REPRODUCTION IN PART OR AS A WHOLE WITHOUT THE WRITTEN PERMISSION OF LIBERTY PUMPS IS PROHIBITED.

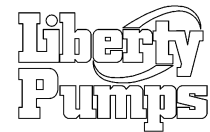
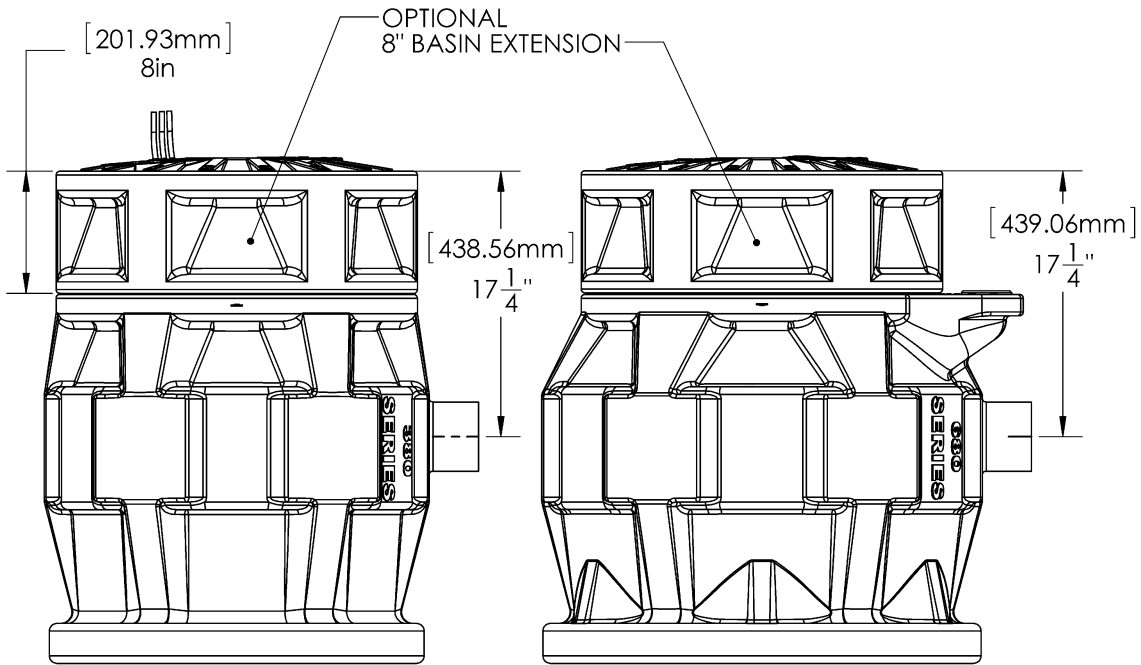
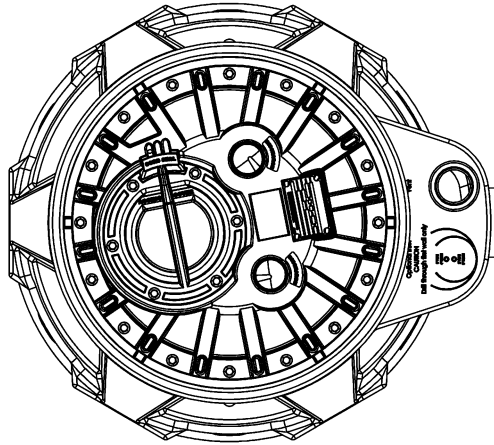
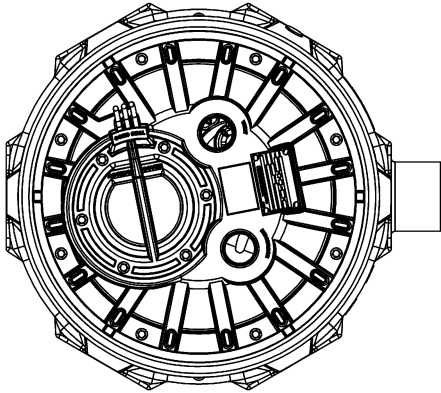
APPLICATION DO NOT SCALE DRAWING

P380 SERIES WITH ARC18 RISER
DWG. NO.

SIZE A	DATE:	REV. A
SCALE:1:4	WEIGHT: LBS	SHEET 1 OF 1

P380 SYSTEM

P680 SYSTEM



PROPRIETARY AND CONFIDENTIAL
 THE INFORMATION CONTAINED IN THIS DRAWING IS THE SOLE PROPERTY OF LIBERTY PUMPS. ANY REPRODUCTION IN PART OR AS A WHOLE WITHOUT THE WRITTEN PERMISSION OF LIBERTY PUMPS IS PROHIBITED.

P380 & P680 SERIES
 DWG. NO. DIMENSIONAL W/ EXTENSION

APPLICATION	DO NOT SCALE DRAWING	SIZE A	DATE:	REV. A
		SCALE:1:4	WEIGHT: LBS	SHEET 1 OF 1

ProVore® 380 & ProVore® 680 Series Electrical Data

MODEL	HP	VOLTAGE	PHASE	SF	FULL LOAD AMPS	LOCKED ROTOR AMPS	THERMAL OVERLOAD TEMP	STATOR WINDING CLASS	DISCHARGE	AUTOMATIC SYSTEM
P382XPRG101	1	115	1	1.00	12	47	105°C 221°F	B	2"	YES
P382XPRG102	1	230	1	1.00	6	23.7	105°C 221°F	B	2"	YES
P682XPRG101	1	115	1	1.00	12	47	105°C 221°F	B	2"	YES
P682XPRG102	1	230	1	1.00	6	23.7	105°C 221°F	B	2"	YES

ProVore® 380 & ProVore® 680 Series Technical Data

TANK	UPC LISTED POLYETHYLENE BASIN MEETS IAPMO PS52 10' STACK TEST
COVER	POLYPROPYLENE
GUIDE RAIL	NONE – PUMPS PULL OUT WITH COVER
INLET HUB	INCORPORATED INTO TANK
DISCHARGE PIPING	SCHEDULE 80 PVC
CONTROLS	PIGGY BACK FLOATS – P382 SYSTEMS PDC CONTROL – P680 SYSTEMS
IMPELLER	CAST IRON
SOLIDS HANDLING SIZE	GRINDER PUMP - .2"
PAINT	POWDER COAT
MAX LIQUID TEMP	60°C 140°F
THERMAL OVERLOAD	105°C 221°F
POWER CORD TYPE	SJTW
MOTOR HOUSING	CAST IRON
VOLUTE	CAST IRON
SHAFT	303 STAINLESS STEEL
HARDWARE	STAINLESS STEEL
ORINGS	BUNA N
MECHANICAL SEAL	UNITIZED SILICON CARBIDE

WARRANTY

Standard limited warranty shall be 3 years.