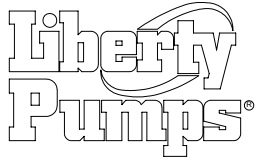
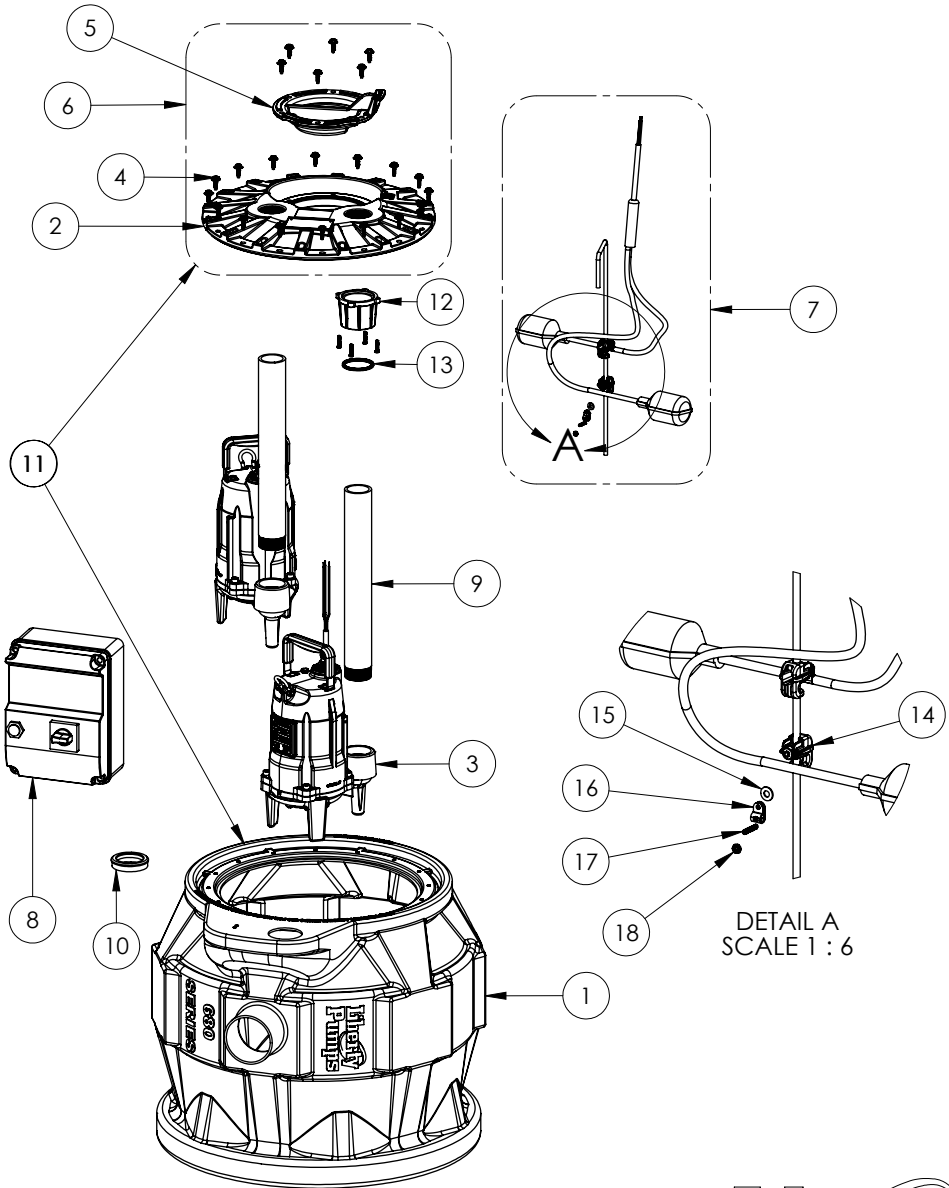


P682XPRG102-3E



ProVore 680**P682XPRG102-3E**

| # | PART # | DESCRIPTION | QTY | Note |
|----------|---------------|--|------------|-------------|
| 1 | K001435 | 50320B0, DUPLEX TANK 16 BOLT | 1 | |
| 2 | 50340B0 | 2X2 COVER, 16 BOLT | 1 | |
| 3 | PRG102M-3E | PROVORE RESIDENTIAL GRINDER, 230V, 10M, CE | 2 | |
| 4 | 8155000 | WASHER HEAD HEX SCREW | 22 | |
| 5 | K001233 | INSPECTION COVER, INCLUDES MOUNTING SCREWS (6) | 1 | |
| 6 | K001436 | 2X2 PRO680 COVER KIT | 1 | |
| 7 | QT680-10 | PRO680 SERIES QUICK TREE KIT 10' | 1 | |
| 8 | K001594 | KIT, REPLACEMENT PANEL FOR P682XPRG102-3E | 1 | |
| 9 | K001399 | PRO SERIES PIPE KIT 2" SCH80 X17.50" | 2 | |
| 10 | K001014 | PIPE SEAL GROMMET 2" | 1 | |
| 11 | K001437 | P680 BASIN AND COVER KIT | 1 | |
| 12 | 5440000 | 2" CAP - PRO COVER | 1 | |
| 13 | 5441000 | 2" LIP SEAL | 1 | |
| 14 | 5045000 | FLOAT SUPPORT CLAMP 10-24 | 2 | |
| 15 | 3438000 | FLAT WASHER, 1/4", 18-8 SS | 2 | |
| 16 | 8014200 | CABLE CLAMP | 2 | |
| 17 | 6455000 | SET SCREW, 18-8 SS, CUP POINT, #10-24 X 1" | 2 | |
| 18 | 8002000 | #10-24 STAINLESS STEEL HEX | 2 | |

P682XPRG102-3E

P682XPRG102-3E

PAGE