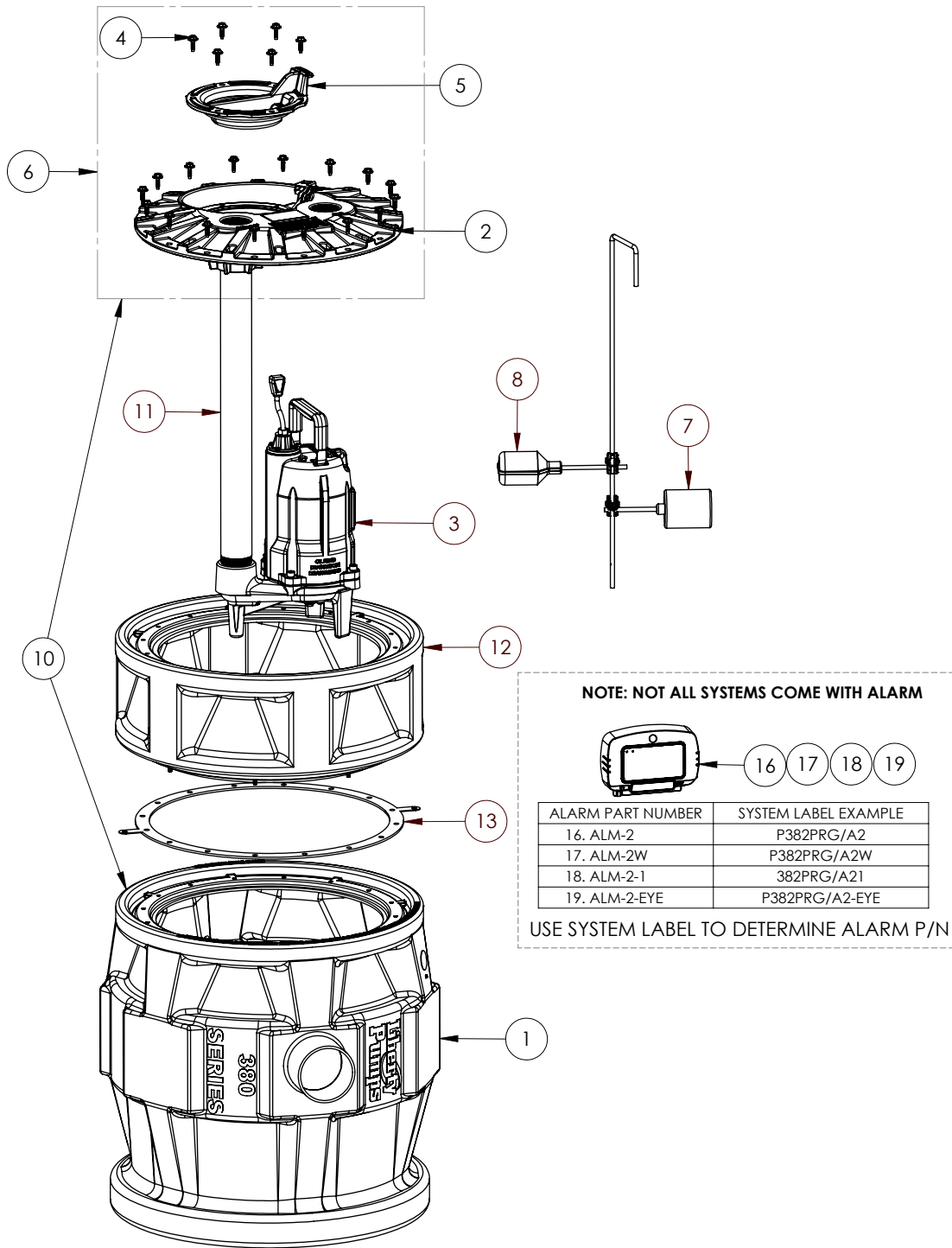


P382X8XPRG101 (B94)



## P382X8XPRG101 (B94)

#	PART #	DESCRIPTION	QTY	Note
1	K001133	380XL TANK 16 BOLTS	1	
2	50340B0	2X2 COVER, 16 BOLT	1	
3	SEE NOTE FOR PUMP MODEL #	LIBERTY PUMP	1	[1]
4	8155000	WASHER HEAD HEX SCREW	22	
5	K001233	INSPECTION COVER, INCLUDES MOUNTING SCREWS (6)	1	
6	K001127	2X2 COVER ASSEMBLY, 16 BOLT, PVC	1	
7	Pro Series Alarm switch (B94)	REPLACEMENT SWITCH BASED ON SYSTEM LABEL	1	[2]
8	SEE NOTE FOR PUMP SWITCH	PUMP SWITCH ONLY	1	[3]
9	K001394	EXTENSION QUICK TREE KIT, ROD AND CLAMPS ONLY	1	
10	K001137	P382XL TANK AND COVER	1	
11	40650D0	2" PVC SCH80 25.375" LONG	1	
12	X8	EXTENSION KIT, INCLUDES EXT BASIN, PIPE, BOLTS AND QUICK TREE SUPPORT	1	[4]
13	45990A0	GASKET MOLDED 20CVR SOFT	1	
16	ALM-2	ALARM 115V SWT-ACTV 20'	1	
17	ALM-2W	115V ALARM, WEATHERPROOF	1	
18	ALM-2-1	ALARM 115V 10FT CORD	1	
19	ALM-2-EYE	ALARM 115V SWT-ACTV 20' NIGHTEYE	1	
20	K001134	FLOAT SWITCH, 20FT CORD, INCLUDES 1 SWITCH PER KIT	1	
21	K001566	KIT, SWITCH PILOT DUTY, 10' 3-PIN	1	
22	K001569	KIT, SWITCH PILOT DUTY, 20' 3-PIN	1	

**PART NOTES:**

[1] - Part requires factory authorized service. Contact Liberty Pumps at 1-800-543-2550

**\*\*NOTE\*\***

Select PROSERIES Pump below to show sewage pump assembly parts

ex: P382X8XPRG101/A2

PRG101

PRG101-2

[2] - **\*\*NOTE\*\***

ALARM SWITCH KITS

For /A2 Suffix of model number use Part No. K001569

For /A21 Suffix of model number use Part No. K001566

For /A2W Suffix of model number use Part No. K001134

For /A2-EYE Suffix of model number use Part No. K001569

P382X8XPRG101 (B94)

- [3] - Part requires factory authorized service. Contact Liberty Pumps at 1-800-543-2550

**\*\*NOTE\*\***

Switch Kits:

for pump PRG101: K001054

for pump PRG101-2: K001144

- [4] - To view PROSERIES X8 EXTENSION KIT [click here](#)