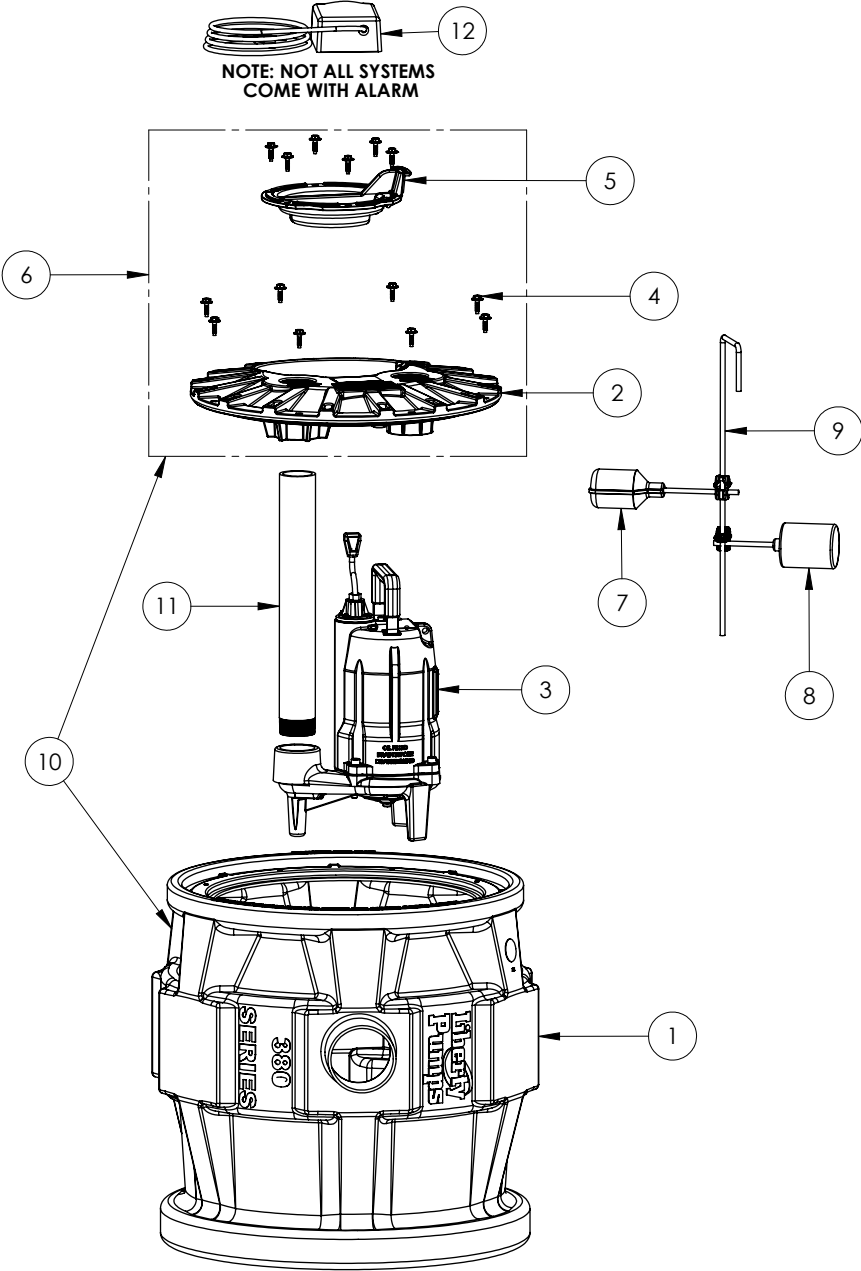


P382PRG101 (B10)



P382PRG101 (B10)

#	PART #	DESCRIPTION	QTY	Note
1	K001110	PRO380 SERIES 24" BASIN	1	
2	50340A0	2X2 COVER, 8 BOLTS, FOR PVC PIPE	1	
3	SEE NOTE FOR PUMP MODEL #	LIBERTY PUMP	1	[1]
4	K001162	COVER HARDWARE, WASHER HEAD HEX SCREWS 14 INCLUDED IN KIT	1	
5	K001233	INSPECTION COVER, INCLUDES MOUNTING SCREWS (6)	1	
6	K001101	COVER ASY 2X2, 8 BOLTS, FOR PVC PIPE	1	
7	Pro Series Alarm switch (B10)	REPLACEMENT SWITCH BASED ON SYSTEM LABEL	1	[2]
8	SEE NOTE FOR PUMP SWITCH	PUMP SWITCH ONLY	1	[3]
9	K001123	QUICKTREE KIT, ROD & CLAMPS ONLY	1	
10	K001107	P382 TANK & 2X2 COVER ASSEMBLY	1	
11	40650B0	2" SCH80 PVC PIPE FOR 24" TANK, 17-3/8" LONG	1	
12	SEE NOTE FOR ALARM	ALARM ONLY		[4]
13	K001054	61130A0 PUMP SWITCH, 10' 115V	1	
14	K001064	FLOAT SWITCH, 115V, 25 FOOT CO	1	
15	K001134	FLOAT SWITCH, 20FT CORD, INCLUDES 1 SWITCH PER KIT	1	
16	K001415	60050D0 SWITCH, 10' PILOT DUTY PIGTAIL	1	

PART NOTES:

[1] - Part requires factory authorized service. Contact Liberty Pumps at 1-800-543-2550

****NOTE****

Select PROSERIES Pump below to show sewage pump assembly parts

ex: P382PRG101/A2

PRG101

PRG101-2

[2] - ****NOTE****

ALARM SWITCH KITS

For /A2 Suffix of model number use Part No. K001134

For /A21 Suffix of model number use Part No. K001415

For /A2W Suffix of model number use Part No. K001134

[3] - Part requires factory authorized service. Contact Liberty Pumps at 1-800-543-2550

****NOTE****

Switch Kits:

for pump PRG101: K001054

for pump PRG101-2: K001064

P382PRG101 (B10)

- [4] - ALARM PRO SERIES
 - FORA2 SUFFIX OF MODEL
 - NUMBER: USE PART NO 6225000
 - FORA2W SUFFIX OF MODEL
 - NUMBER: USE PART NO 6226000
 - FORA21 SUFFIX OF MODE
 - NUMBER: USE PART NO 6242000
 - Part requires factory authorized service. Contact Liberty Pumps at 1-800-543-2550