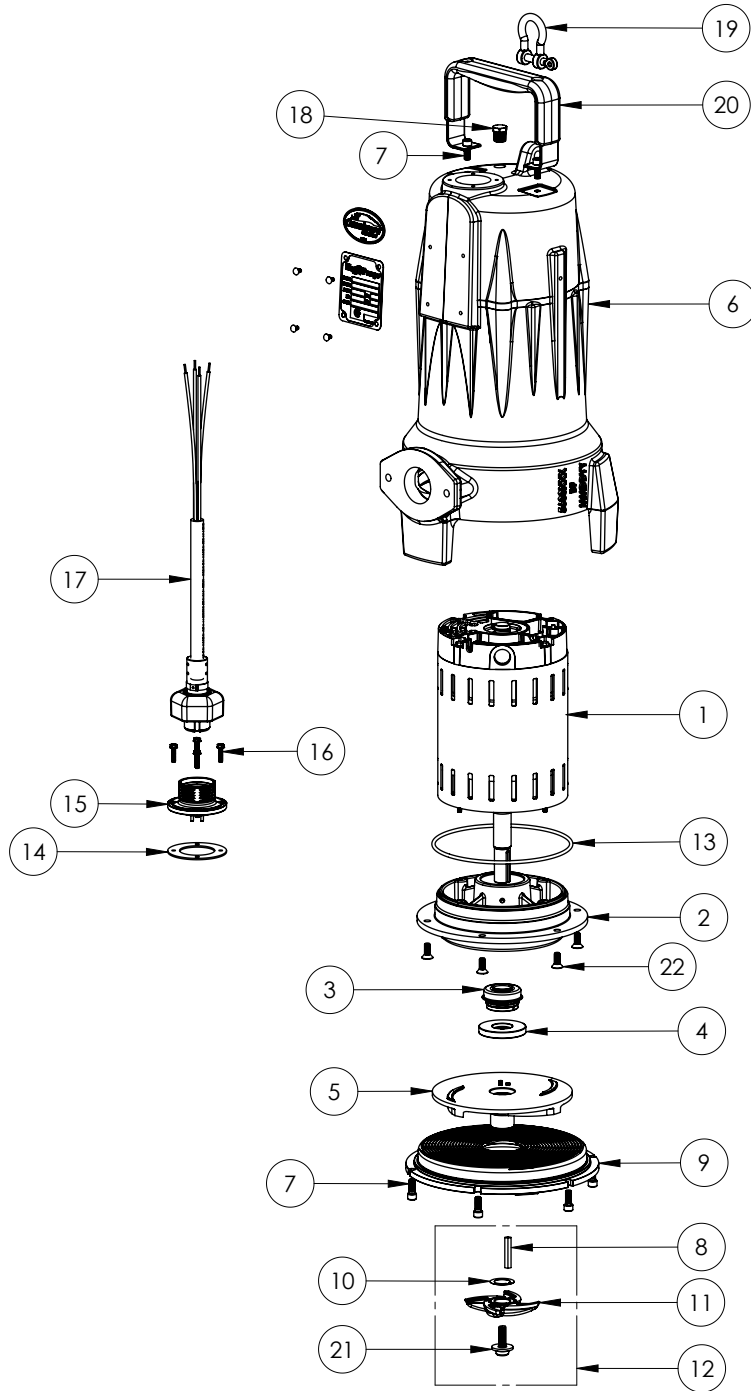


LSG203M (B52)



LSG203M**LSG203M (B52)**

#	PART #	DESCRIPTION	QTY	Note
1	5445000	MOTOR, LSG, 208-230 3PH	1	
2	5632000	MOTOR PLATE	1	[1]
3	5633000	3/4" UNITIZED SHAFT SEAL	1	[1]
4	5618000	DOUBLE LIP SEAL	1	[1]
5	K001538	GRINDER IMPELLER KIT	1	
6	560000R	OMNIVORE HOUSING	1	
7	8103000	SCREW 1/4-20x5/8" HX SKT SS	8	
8	56350A0	KEY	1	
9	K001395	CUTTER PLATE	1	
10	K001445	ROTARY CUTTER SHIM KIT	1	
11	5616900	ROTARY CUTTER	1	
12	K001139	ROTARY CUTTER KIT	1	[2]
13	5617000	O-RING	1	
14	5060000	CORD PLATE GASKET	1	
15	5629000	GRINDER CORDPLATE	1	
16	8064000	#8-32 x 5/8 HEX WASHER HEAD SCREW	4	
17	K001357	POWER CORD, 25FT	1	
18	50710A0	PIPE PLUG, 1/4" HEX HD BRASS NPTF	1	
19	5611000	SHACKLE	1	
20	5613000	HANDLE	1	
21	56360A0	FLANGED IMPELLER BOLT	1	
22	5613000	HANDLE	6	

PART NOTES:

- [1] - Part requires factory authorized service. Contact Liberty Pumps at 1-800-543-2550
- [2] - ForLSG GrinderCutter Replacment Instructions see LSG Grinder Cutter Replacement