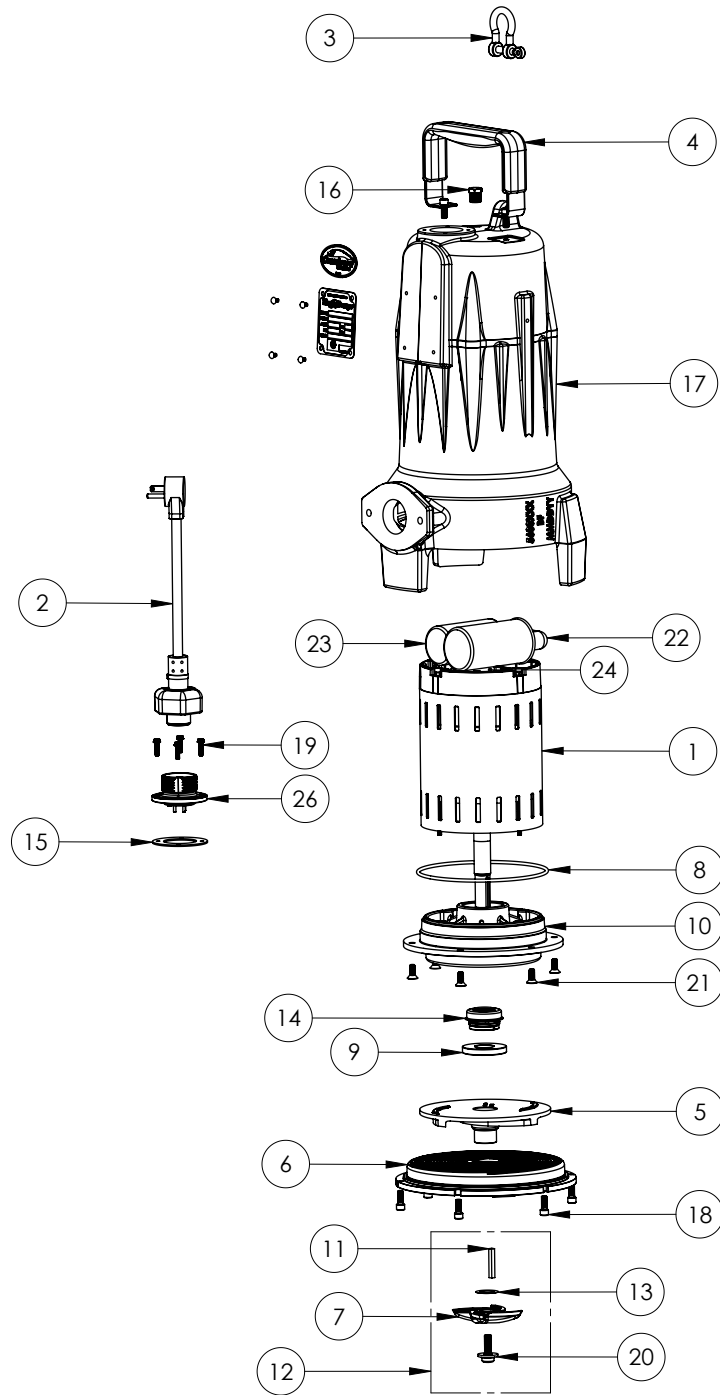


LSG202M (B52)



LSG202M

LSG202M (B52)

| # | PART # | DESCRIPTION | QTY | Note |
|----------|---------------|-------------------------------------|------------|-------------|
| 1 | 5601000 | MOTOR | 1 | [1] |
| 2 | K001140 | POWER CORD | 1 | |
| 3 | 5611000 | SHACKLE | 1 | |
| 4 | 5613000 | HANDLE | 1 | |
| 5 | K001538 | GRINDER IMPELLER KIT | 1 | |
| 6 | K001395 | CUTTER PLATE | 1 | |
| 7 | 5616900 | ROTARY CUTTER | 1 | |
| 8 | 5617000 | O-RING | 1 | |
| 9 | 5618000 | DOUBLE LIP SEAL | 1 | [1] |
| 10 | 5632000 | MOTOR PLATE | 1 | [1] |
| 11 | 56350A0 | KEY | 1 | |
| 12 | K001139 | ROTARY CUTTER KIT | 1 | [2] |
| 13 | K001445 | ROTARY CUTTER SHIM KIT | 1 | |
| 14 | 5633000 | 3/4" UNITIZED SHAFT SEAL | 1 | [1] |
| 15 | 5060000 | CORD PLATE GASKET | 1 | |
| 16 | 50710A0 | PIPE PLUG, 1/4" HEX HD BRASS NPTF | 1 | |
| 17 | 560000R | OMNIVORE HOUSING | 1 | |
| 18 | 8103000 | SCREW 1/4-20x5/8" HX SKT SS | 8 | |
| 19 | 8064000 | #8-32 x 5/8 HEX WASHER HEAD SCREW | 4 | |
| 20 | 56360A0 | FLANGED IMPELLER BOLT | 1 | |
| 21 | 8018000 | 1/4-20 x 5/8 SLOTTED FLAT HEAD BOLT | 6 | |
| 22 | K001228 | RUN CAPACITOR | 1 | |
| 23 | K001227 | START CAPACITOR | 1 | |
| 24 | K001229 | START SWITCH | 1 | |
| 26 | K001216 | 5619000, CORDPLATE | 1 | |

PART NOTES:

- [1] - Part requires factory authorized service. Contact Liberty Pumps at 1-800-543-2550
- [2] - ForLSG GrinderCutter Replacment Instructions see LSG Grinder Cutter Replacement