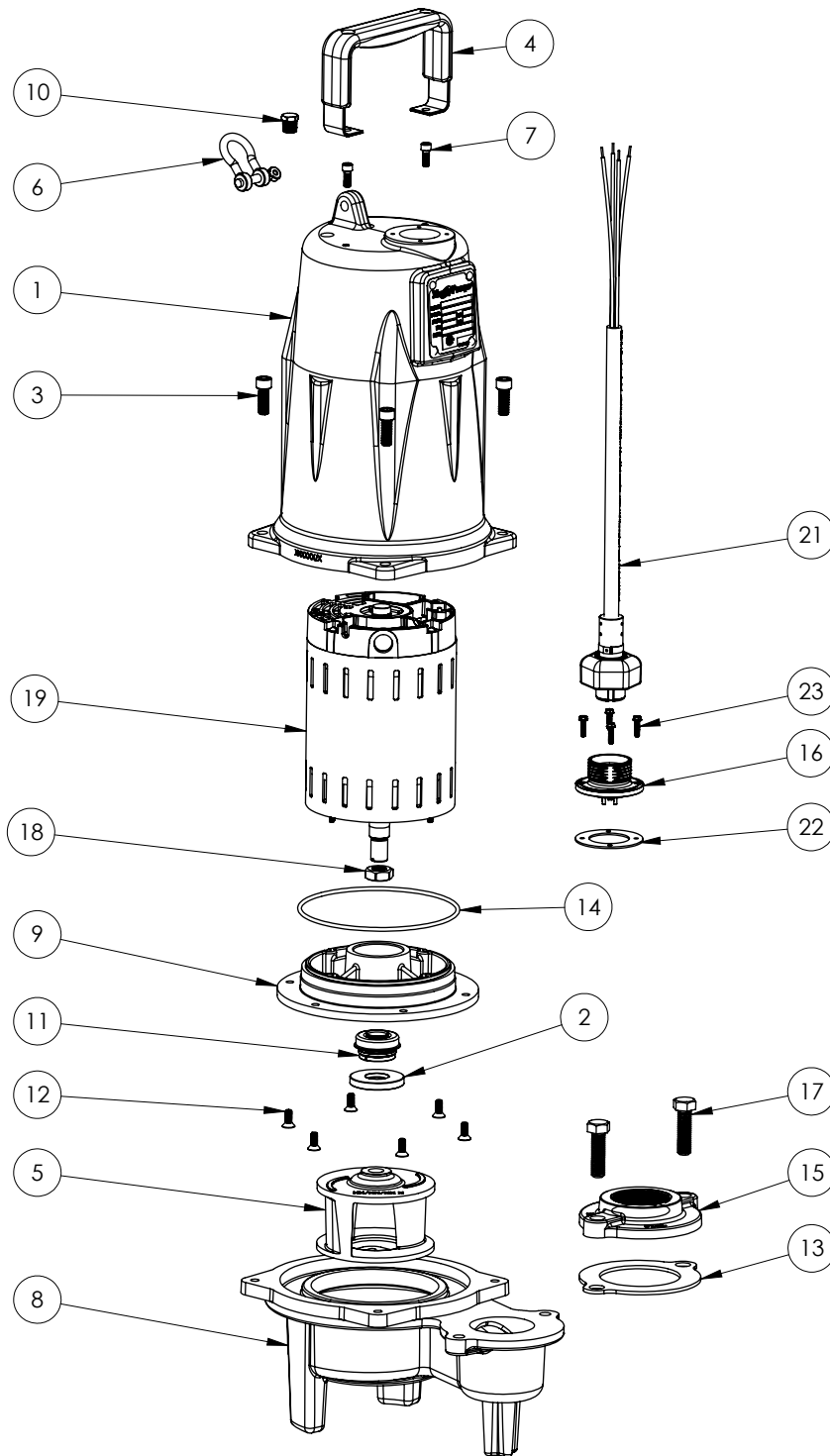


LEH203M2-5 (B67)



LEH203M2-5

LEH203M2-5 (B67)

| # | PART # | DESCRIPTION | QTY | Note |
|----|---------|---------------------------------------|-----|------|
| 1 | 5850000 | MOTOR COVER | 1 | |
| 2 | 5618000 | DOUBLE LIP SEAL | 1 | [1] |
| 3 | 5862000 | BOLT, 3/8-16X1 SHCS SS | 4 | |
| 4 | 5613000 | HANDLE | 1 | |
| 5 | K001324 | IMPELLER, CAST IRON, INCLUDES 5887000 | 1 | |
| 6 | 5611000 | SHACKLE | 1 | |
| 7 | 8103000 | SCREW 1/4-20x5/8" HX SKT SS | 2 | |
| 8 | 58730BR | LEH200 SERIES VOLUTE | 1 | |
| 9 | 5851000 | MOTOR PLATE | 1 | |
| 10 | 50710A0 | PIPE PLUG, 1/4" HEX HD BRASS NPTF | 1 | |
| 11 | 5633000 | 3/4" UNITIZED SHAFT SEAL | 1 | [1] |
| 12 | 8018000 | 1/4-20 x 5/8 SLOTTED FLAT HEAD BOLT | 6 | |
| 13 | 5129000 | FLANGE GASKET, FITS 2" OR 3" | 1 | |
| 14 | 5617000 | O-RING | 1 | |
| 15 | K001221 | 2" DISCHARGE KIT | 1 | |
| 16 | 5629000 | GRINDER CORDPLATE | 1 | |
| 17 | 8037000 | 1/2-13 x 1-3/4 STAINLESS STEEL BOLT | 2 | |
| 18 | 5887000 | NUT, JAM, 5/8-18 HEX S.S. | 1 | |
| 19 | 5884000 | MOTOR 2HP 230-460V 3PH LEH | 1 | [1] |
| 20 | K001586 | 56310D0 50' CORD KIT | 1 | |
| 21 | K001150 | POWER CORD KIT | 1 | |
| 22 | 5060000 | CORD PLATE GASKET | 1 | |
| 23 | 8064000 | #8-32 x 5/8 HEX WASHER HEAD SCREW | 4 | |

PART NOTES:

[1] - Part requires factory authorized service. Contact Liberty Pumps at 1-800-543-2550