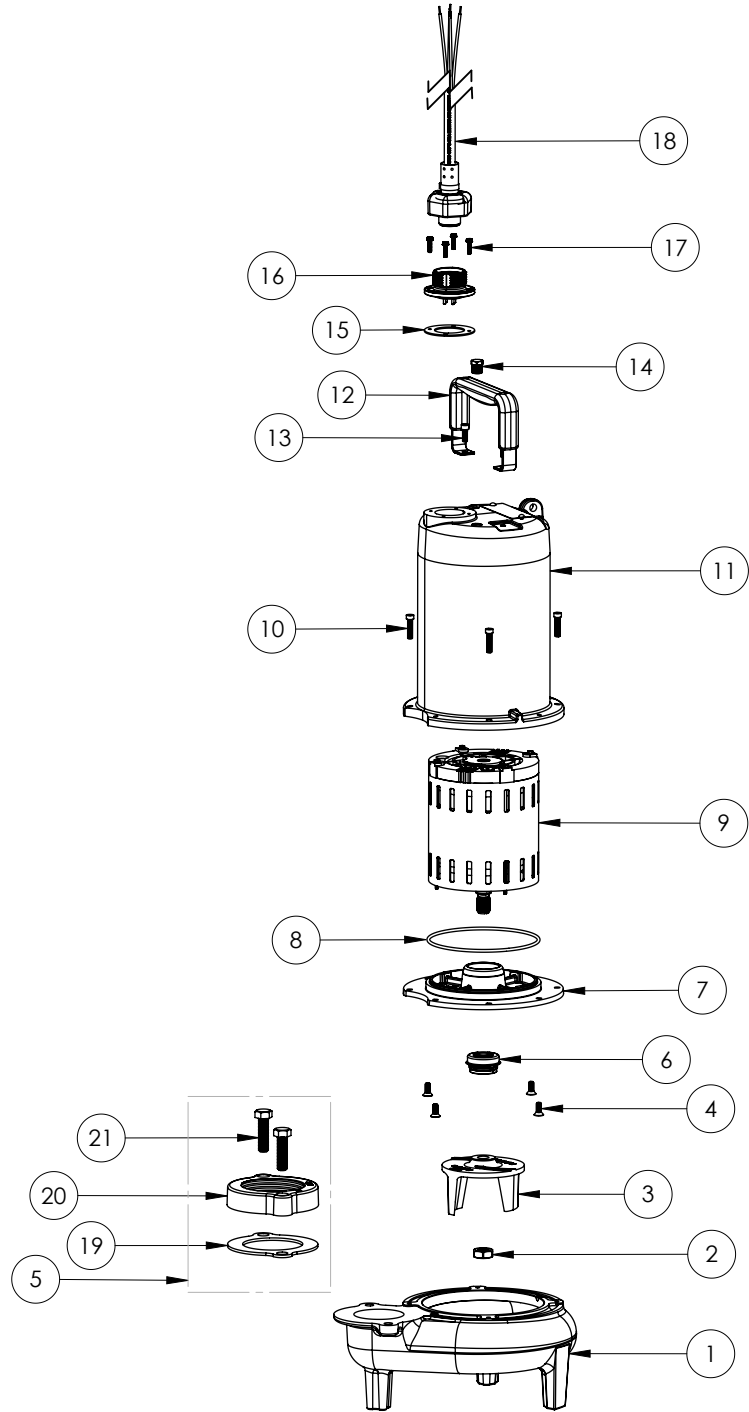


LEH105M3-2 (B75)



**LEH105M3-2****LEH105M3-2 (B75)**

#	PART #	DESCRIPTION	QTY	Note
1	531500R	VOLUTE HOUSING	1	
2	5887000	NUT, JAM, 5/8-18 HEX S.S.	1	
3	K001489	51300B0 IMPELLER KIT, INCLUDES 5/8" JAM NUT	1	
4	8018000	1/4-20 x 5/8 SLOTTED FLAT HEAD BOLT	4	
5	K001222	3" DISCHARGE KIT	1	
6	5633000	3/4" UNITIZED SHAFT SEAL	1	[1]
7	537600R	MOTOR PLATE LE100 3PHASE	1	
8	5617000	O-RING	1	
9	5337000	MOTOR	1	
10	8091000	1/4-20 x 1 HEX SOCKET HEAD BOLT	4	
11	531400R	MOTOR COVER	1	
12	3411200	HANDLE	1	
13	8033000	#8 x 1/4 STAINLESS STEEL SCREW	2	
14	50710A0	PIPE PLUG, 1/4" HEX HD BRASS NPTF	1	
15	5060000	CORD PLATE GASKET	1	
16	K001216	5619000, CORDPLATE	1	
17	8064000	#8-32 x 5/8 HEX WASHER HEAD SCREW	4	
18	K001357	POWER CORD, 25FT	1	
19	5129000	FLANGE GASKET, FITS 2" OR 3"	1	
20	512200R	3" DISCHARGE FLANGE	1	
21	8037000	1/2-13 x 1-3/4 STAINLESS STEEL BOLT	1	

**PART NOTES:**

[1] - Part requires factory authorized service. Contact Liberty Pumps at 1-800-543-2550