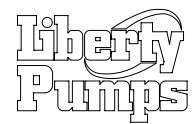
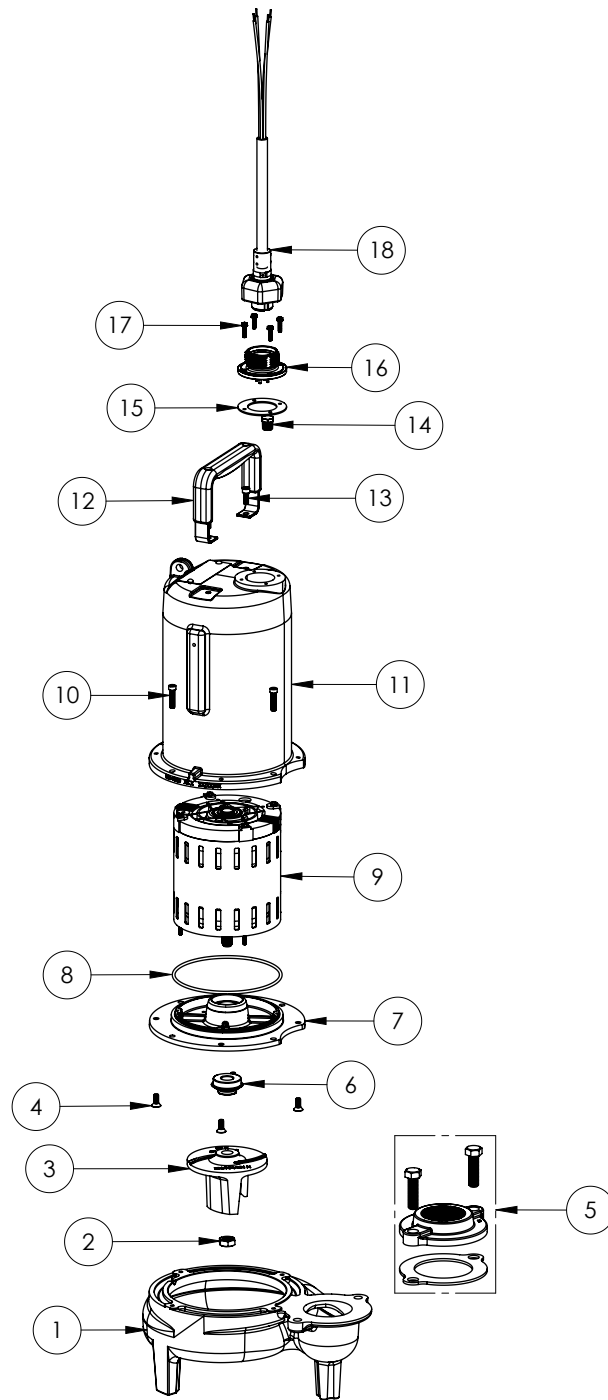


LEH105M2-2 (B72)



LEH105M2-2**LEH105M2-2 (B72)**

#	PART #	DESCRIPTION	QTY	Note
1	531500R	VOLUTE HOUSING	1	
2	8046000	1/2-20 HEX STAINLESS STEEL JAM NUT	1	
3	K001488	51300A0 IMPELLER KIT, INCLUDES 1/2" JAM NUT	1	
4	8018000	1/4-20 x 5/8 SLOTTED FLAT HEAD BOLT	4	
5	K001221	2" DISCHARGE KIT	1	
6	5120000	5/8 INCH UNITIZED SHAFT SEAL	1	[1]
7	53260BR	MOTOR SUPPORT PLATE	1	
8	5617000	O-RING	1	
9	5336000	MOTOR	1	
10	8091000	1/4-20 x 1 HEX SOCKET HEAD BOLT	4	
11	531400R	MOTOR COVER	1	
12	3411200	HANDLE	1	
13	8033000	#8 x 1/4 STAINLESS STEEL SCREW	2	
14	5071000	BRASS OIL PLUG	1	
15	5060000	CORD PLATE GASKET	1	
16	K001216	5619000, CORDPLATE	1	
17	8064000	#8-32 x 5/8 HEX WASHER HEAD SCREW	4	
18	K001357	POWER CORD, 25FT	1	

PART NOTES:

[1] - Part requires factory authorized service. Contact Liberty Pumps at 1-800-543-2550