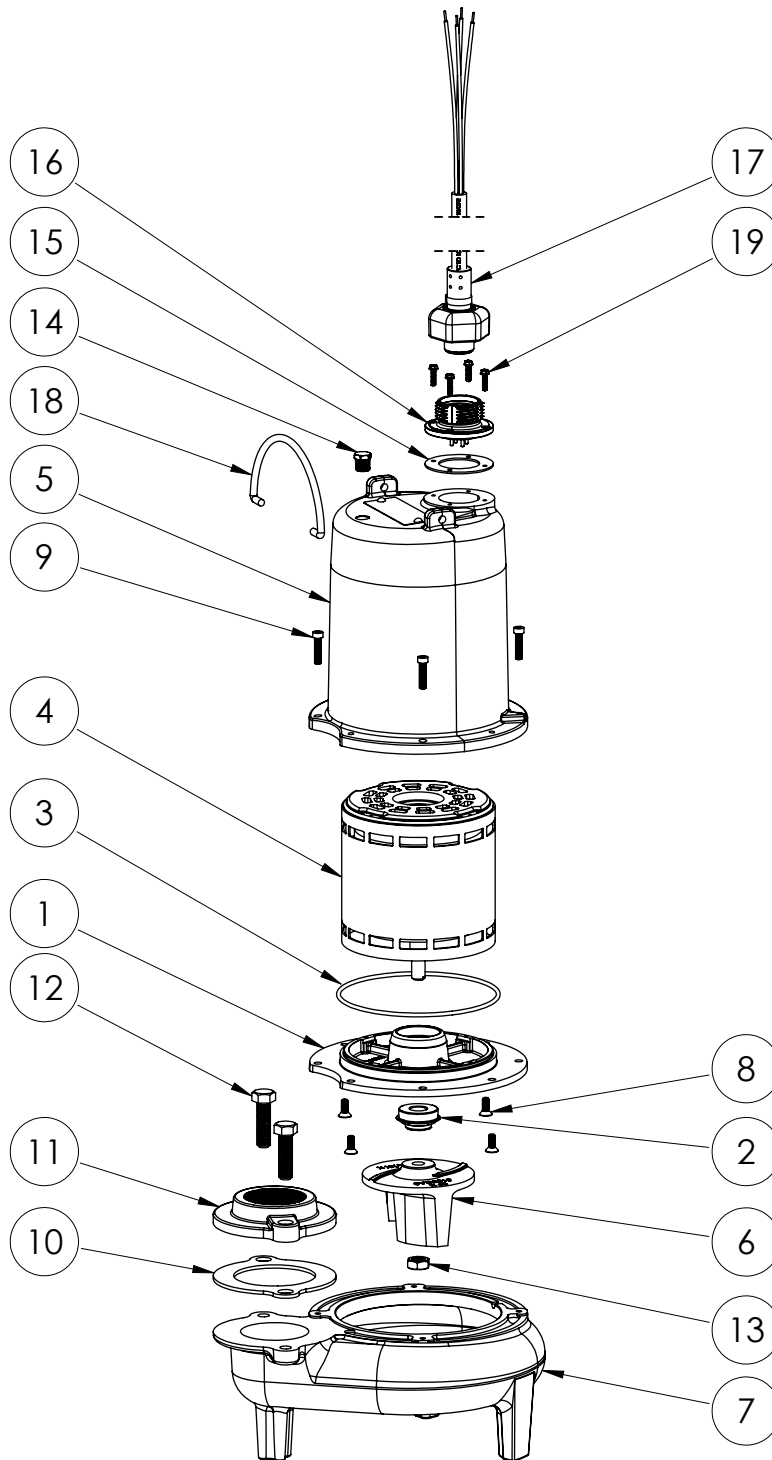


LEH105M2-2 (B61)



LEH105M2-2B61

LEH105M2-2**LEH105M2-2 (B61)**

| # | PART # | DESCRIPTION | QTY | Note |
|----|---------|---|-----|------|
| 1 | 532600R | MOTOR SUPPORT PLATE | 1 | |
| 2 | 5120000 | 5/8 INCH UNITIZED SHAFT SEAL | 1 | [1] |
| 3 | 5617000 | O-RING | 1 | |
| 4 | 5349000 | MOTOR | 1 | |
| 5 | 531400R | MOTOR COVER | 1 | |
| 6 | K001487 | 51310A0 IMPELLER KIT, INCLUDES 5/8" JAM NUT | 1 | |
| 7 | 531500R | VOLUTE HOUSING | 1 | |
| 8 | 8018000 | 1/4-20 x 5/8 SLOTTED FLAT HEAD BOLT | 4 | |
| 9 | 8091000 | 1/4-20 x 1 HEX SOCKET HEAD BOLT | 4 | |
| 10 | 5129000 | FLANGE GASKET, FITS 2" OR 3" | 1 | |
| 11 | K001221 | 2" DISCHARGE KIT | 1 | |
| 12 | 8037000 | 1/2-13 x 1-3/4 STAINLESS STEEL BOLT | 2 | |
| 13 | 8046000 | 1/2-20 HEX STAINLESS STEEL JAM NUT | 1 | |
| 14 | 5071000 | BRASS OIL PLUG | 1 | |
| 15 | 5060000 | CORD PLATE GASKET | 1 | |
| 16 | 5629000 | GRINDER CORDPLATE | 1 | |
| 17 | K001357 | POWER CORD, 25FT | 1 | |
| 18 | K001095 | STAINLESS STEEL HANDLE | 1 | |
| 19 | 8064000 | #8-32 x 5/8 HEX WASHER HEAD SCREW | 4 | |

PART NOTES:

[1] - Part requires factory authorized service. Contact Liberty Pumps at 1-800-543-2550