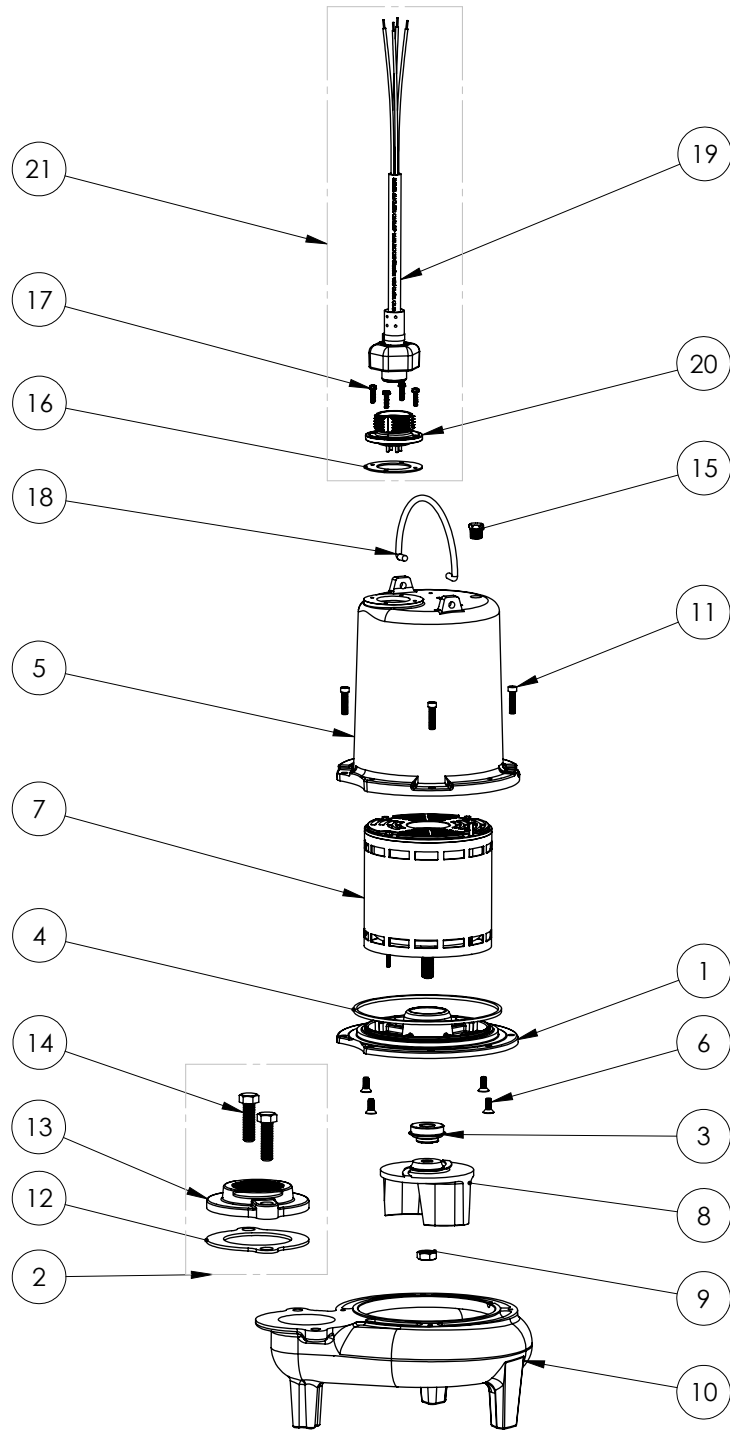


LEH104M2-2 (B25)



LEH104M2-2**LEH104M2-2 (B25)**

#	PART #	DESCRIPTION	QTY	Note
1	510100R	MOTOR SUPPORT PLATE	1	
2	K001221	2" DISCHARGE KIT	1	
3	5120000	5/8 INCH UNITIZED SHAFT SEAL	1	[1]
4	5107000	MOTOR COVER SEALRING	1	[1]
5	527700R	MOTOR COVER	1	
6	8018000	1/4-20 x 5/8 SLOTTED FLAT HEAD BOLT	4	
7	5338000	MOTOR	1	
8	K001488	51300A0 IMPELLER KIT, INCLUDES 1/2" JAM NUT	1	
9	8046000	1/2-20 HEX STAINLESS STEEL JAM NUT	1	
10	510200R	VOLUTE HOUSING	1	
11	8091000	1/4-20 x 1 HEX SOCKET HEAD BOLT	4	
12	5129000	FLANGE GASKET, FITS 2" OR 3"	1	
13	K001221	2" DISCHARGE KIT	1	
14	8037000	1/2-13 x 1-3/4 STAINLESS STEEL BOLT	2	
15	5071000	BRASS OIL PLUG	1	
16	5060000	CORD PLATE GASKET	1	
17	8064000	#8-32 x 5/8 HEX WASHER HEAD SCREW	4	
18	K001095	STAINLESS STEEL HANDLE	1	
19	K001357	POWER CORD, 25FT	1	
20	5629000	GRINDER CORDPLATE	1	
21	K001150	POWER CORD KIT	1	

PART NOTES:

[1] - Part requires factory authorized service. Contact Liberty Pumps at 1-800-543-2550