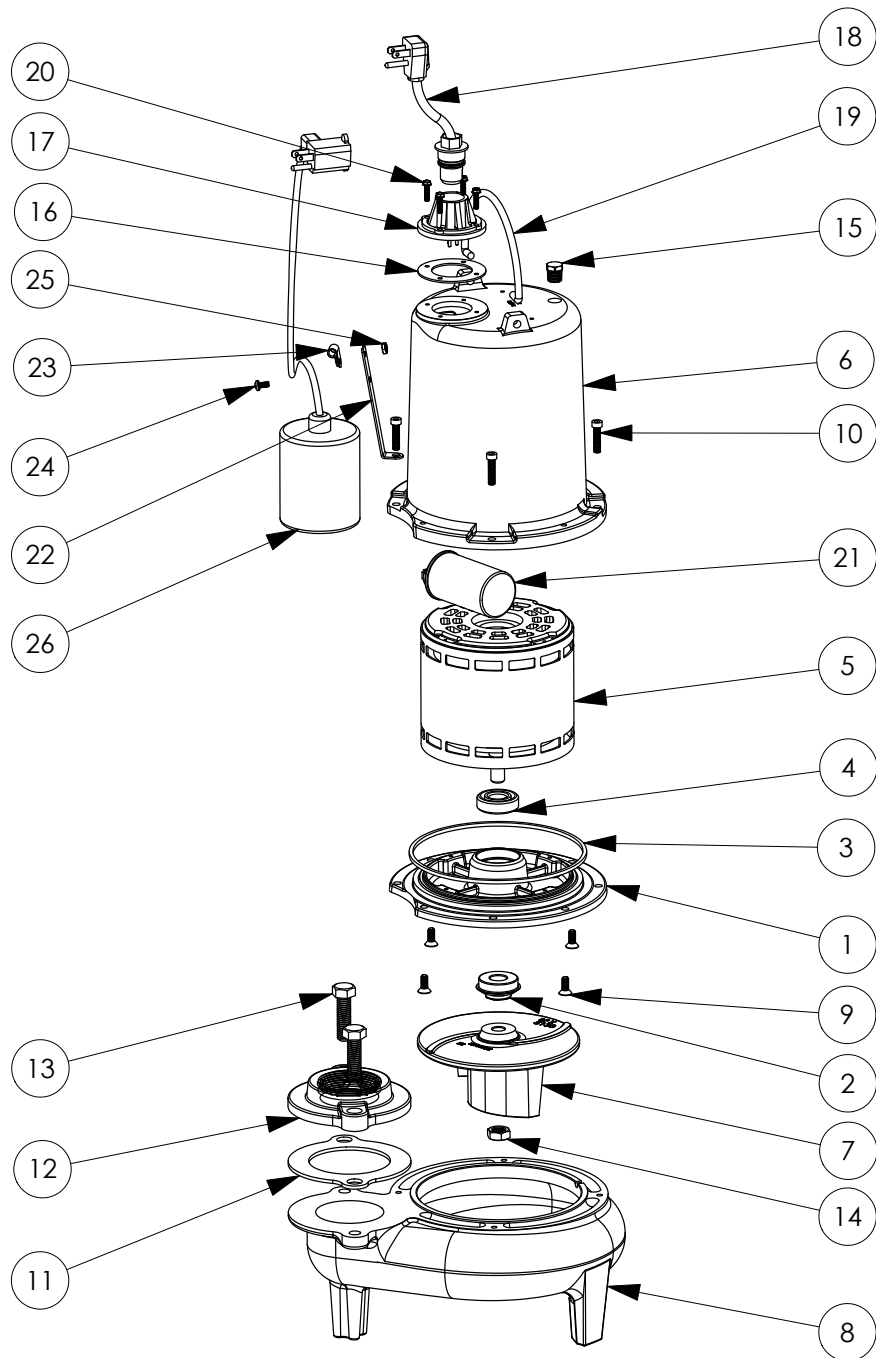


LE72A2 (B10)



LE72A2**LE72A2 (B10)**

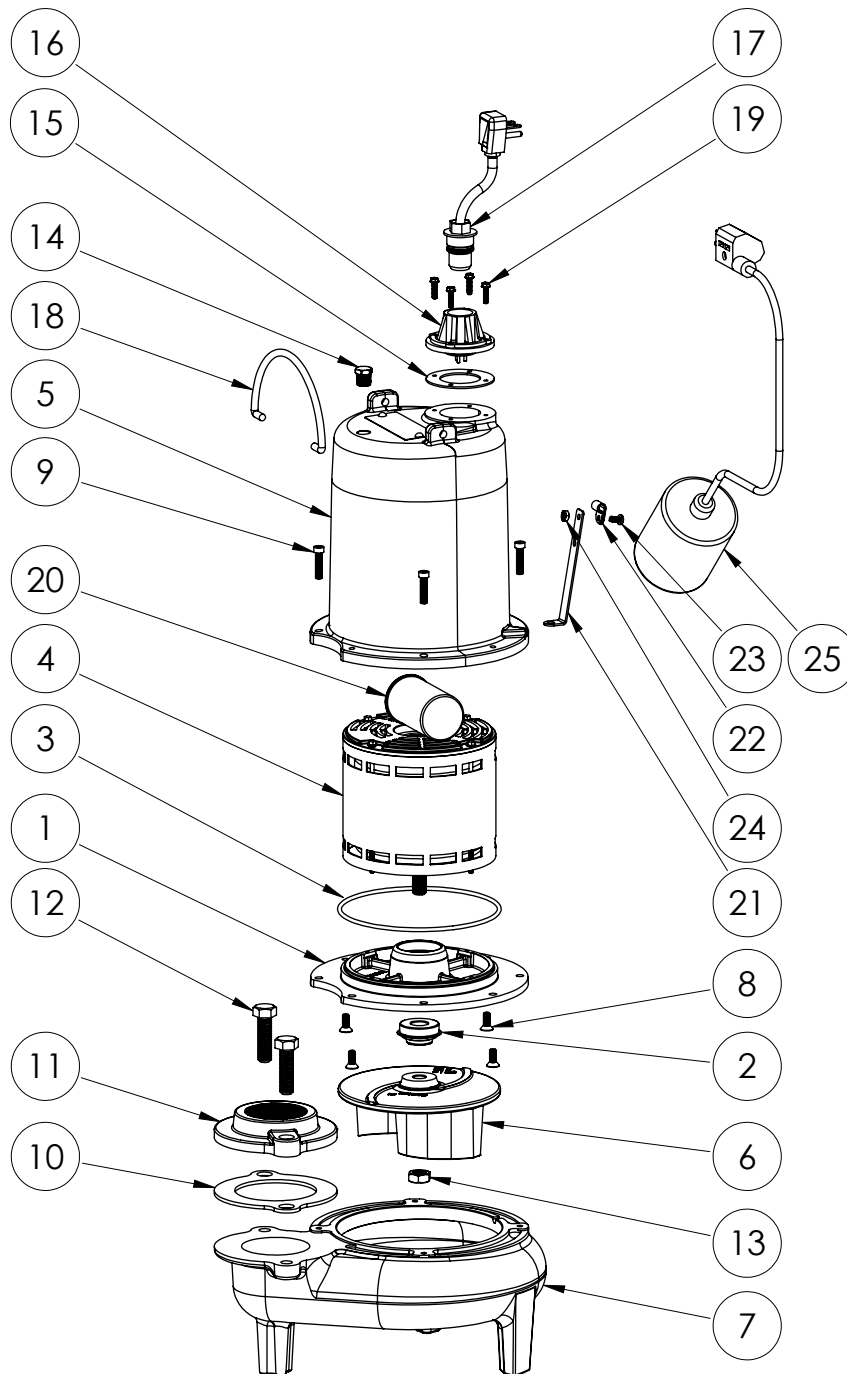
#	PART #	DESCRIPTION	QTY	Note
1	510100R	MOTOR SUPPORT PLATE	1	
2	5120000	5/8 INCH UNITIZED SHAFT SEAL	1	[1]
3	5617000	O-RING	1	
4	5124000	BEARING	1	
5	5341000	MOTOR	1	
6	527700R	MOTOR COVER	1	
7	5130000	IMPELLER, CAST IRON	1	
8	510200R	VOLUTE HOUSING	1	
9	8018000	1/4-20 x 5/8 SLOTTED FLAT HEAD BOLT	4	
10	8091000	1/4-20 x 1 HEX SOCKET HEAD BOLT	4	
11	5129000	FLANGE GASKET, FITS 2" OR 3"	1	
12	K001221	2" DISCHARGE KIT	1	
13	8037000	1/2-13 x 1-3/4 STAINLESS STEEL BOLT	2	
14	8046000	1/2-20 HEX STAINLESS STEEL JAM NUT	1	
15	5071000	BRASS OIL PLUG	1	
16	5060000	CORD PLATE GASKET	1	
17	5014000	CORD PLATE	1	
18	K001058	POWER CORD, 10FT. 230V	1	
19	K001095	STAINLESS STEEL HANDLE	1	
20	8064000	#8-32 x 5/8 HEX WASHER HEAD SCREW	4	
21	51190D0	CAPACITOR	1	
22	5070000	FLOAT SWITCH SUPPORT	1	
23	8014000	CABLE CLAMP	1	
24	8082000	#10-24 x 3/8 EPOXY LOCK SCREW	1	
25	8002000	#10-24 STAINLESS STEEL HEX	1	
26	K001019	61140A0 PUMP SWITCH, 10' 230V, INCLUDES MOUNTING HARDWARE	1	

PART NOTES:

[1] - Part requires factory authorized service. Contact Liberty Pumps at 1-800-543-2550

LE72A2

LE72A2 (B61)



LE72A2B61

LE72A2**LE72A2 (B61)**

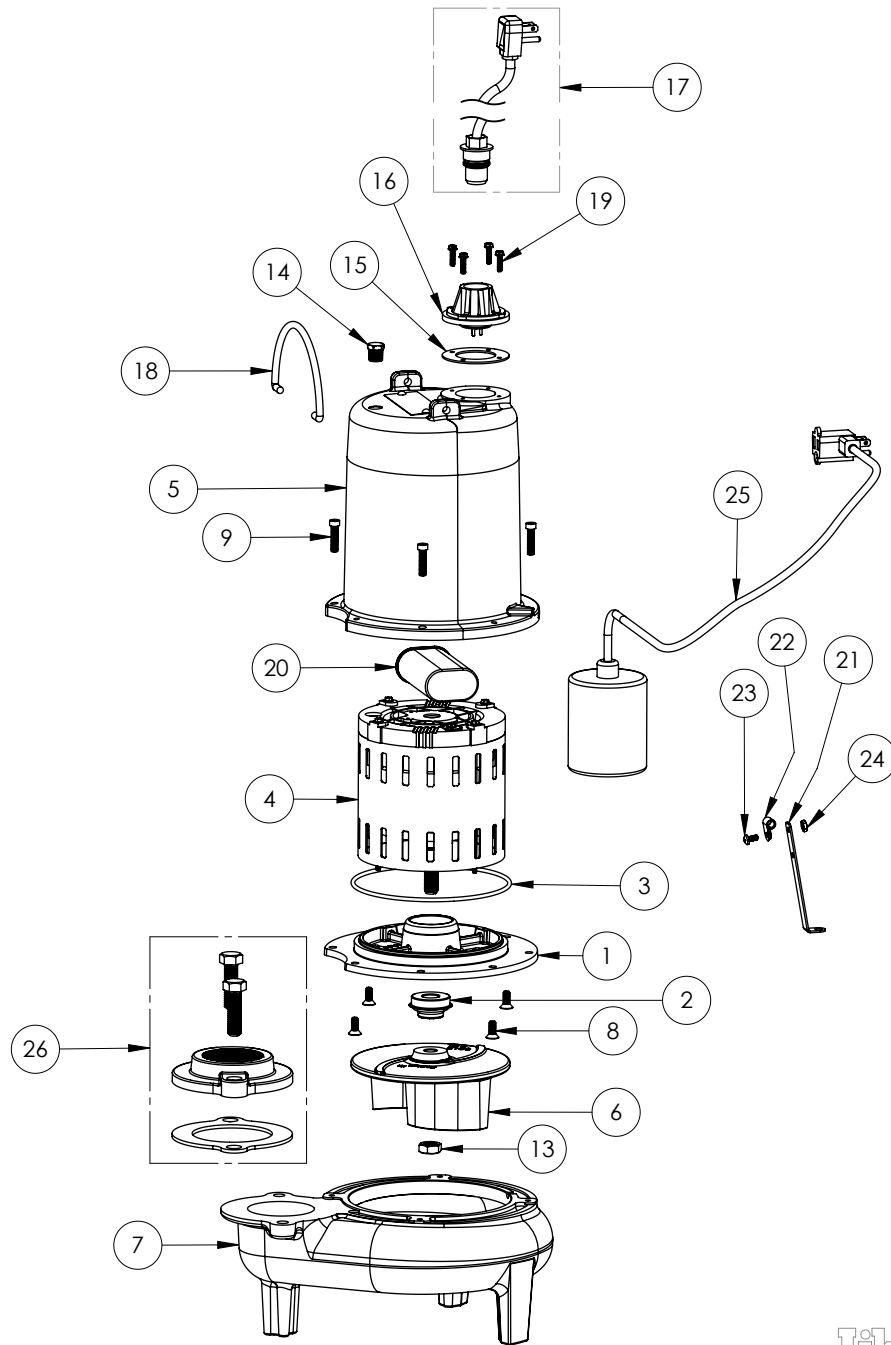
#	PART #	DESCRIPTION	QTY	Note
1	532600R	MOTOR SUPPORT PLATE	1	
2	5120000	5/8 INCH UNITIZED SHAFT SEAL	1	[1]
3	5617000	O-RING	1	
4	5341000	MOTOR	1	
5	531400R	MOTOR COVER	1	
6	5130000	IMPELLER, CAST IRON	1	
7	531500R	VOLUTE HOUSING	1	
8	8018000	1/4-20 x 5/8 SLOTTED FLAT HEAD BOLT	4	
9	8091000	1/4-20 x 1 HEX SOCKET HEAD BOLT	4	
10	5129000	FLANGE GASKET, FITS 2" OR 3"	1	
11	K001221	2" DISCHARGE KIT	1	
12	8037000	1/2-13 x 1-3/4 STAINLESS STEEL BOLT	2	
13	8046000	1/2-20 HEX STAINLESS STEEL JAM NUT	1	
14	5071000	BRASS OIL PLUG	1	
15	5060000	CORD PLATE GASKET	1	
16	5014000	CORD PLATE	1	
17	K001058	POWER CORD, 10FT. 230V	1	
18	K001095	STAINLESS STEEL HANDLE	1	
19	8064000	#8-32 x 5/8 HEX WASHER HEAD SCREW	4	
20	51190F0	CAPACITOR	1	
21	5070000	FLOAT SWITCH SUPPORT	1	
22	8014000	CABLE CLAMP	1	
23	8082000	#10-24 x 3/8 EPOXY LOCK SCREW	1	
24	8002000	#10-24 STAINLESS STEEL HEX	1	
25	K001019	61140A0 PUMP SWITCH, 10' 230V, INCLUDES MOUNTING HARDWARE	1	

PART NOTES:

[1] - Part requires factory authorized service. Contact Liberty Pumps at 1-800-543-2550

LE72A2

LE72A2 (B62)



Liberty
Pumps

LE72A2**LE72A2 (B62)**

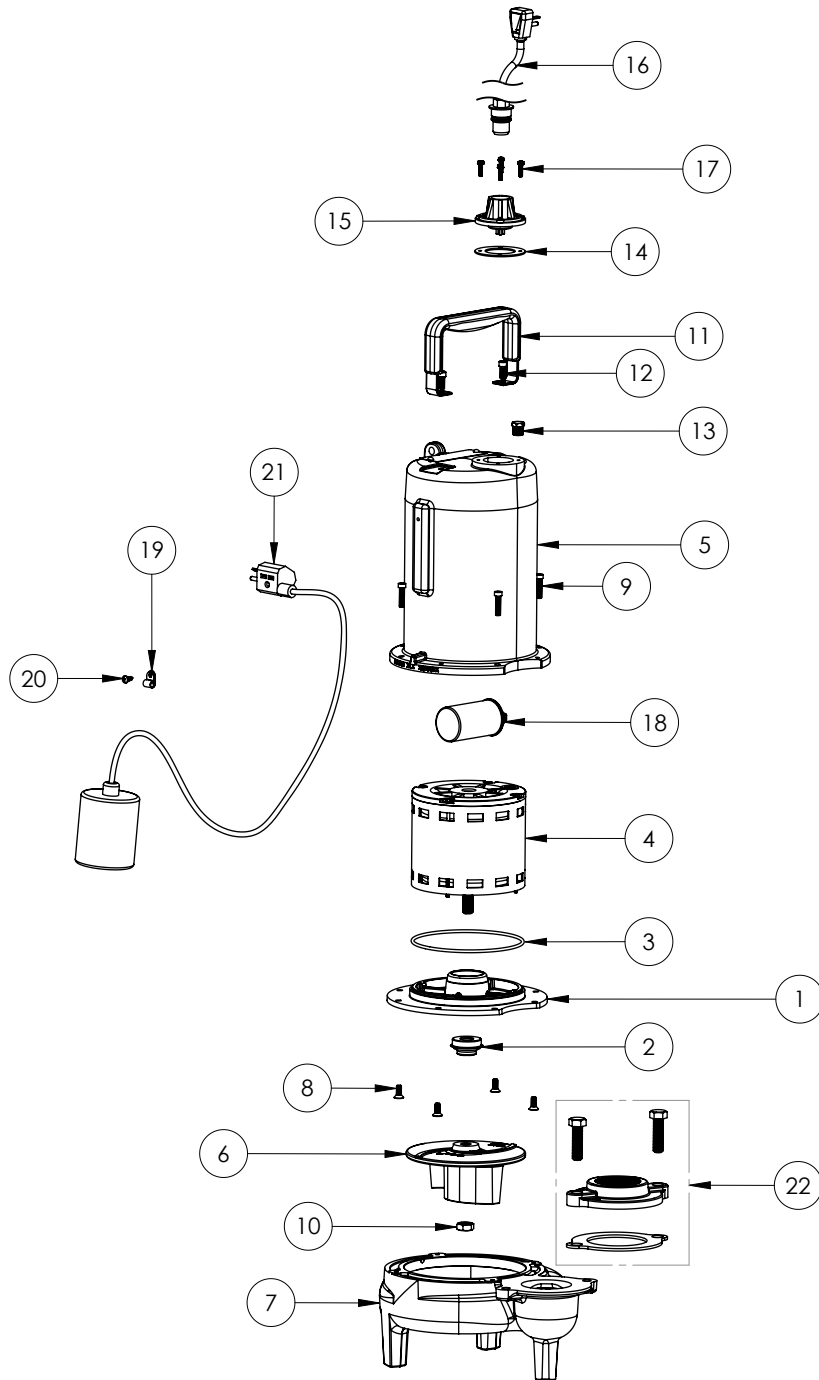
#	PART #	DESCRIPTION	QTY	Note
1	53260BR	MOTOR SUPPORT PLATE	1	
2	5120000	5/8 INCH UNITIZED SHAFT SEAL	1	[1]
3	5617000	O-RING	1	
4	5333000	MOTOR	1	[1]
5	531400R	MOTOR COVER	1	
6	5130000	IMPELLER, CAST IRON	1	
7	531500R	VOLUTE HOUSING	1	
8	8018000	1/4-20 x 5/8 SLOTTED FLAT HEAD BOLT	4	
9	8091000	1/4-20 x 1 HEX SOCKET HEAD BOLT	4	
13	8046000	1/2-20 HEX STAINLESS STEEL JAM NUT	1	
14	5071000	BRASS OIL PLUG	1	
15	5060000	CORD PLATE GASKET	1	
16	5014000	CORD PLATE	1	
17	K001058	POWER CORD, 10FT. 230V	1	
18	K001095	STAINLESS STEEL HANDLE	1	
19	8064000	#8-32 x 5/8 HEX WASHER HEAD SCREW	4	
20	51190F0	CAPACITOR	1	
21	5070000	FLOAT SWITCH SUPPORT	1	
22	8014000	CABLE CLAMP	1	
23	8082000	#10-24 x 3/8 EPOXY LOCK SCREW	1	
24	8002000	#10-24 STAINLESS STEEL HEX	1	
25	K001019	61140A0 PUMP SWITCH, 10' 230V, INCLUDES MOUNTING HARDWARE	1	
26	K001221	2" DISCHARGE KIT	1	

PART NOTES:

[1] - Part requires factory authorized service. Contact Liberty Pumps at 1-800-543-2550

LE72A2

LE72A2 (B71)



Liberty
Pumps

LE72A2**LE72A2 (B71)**

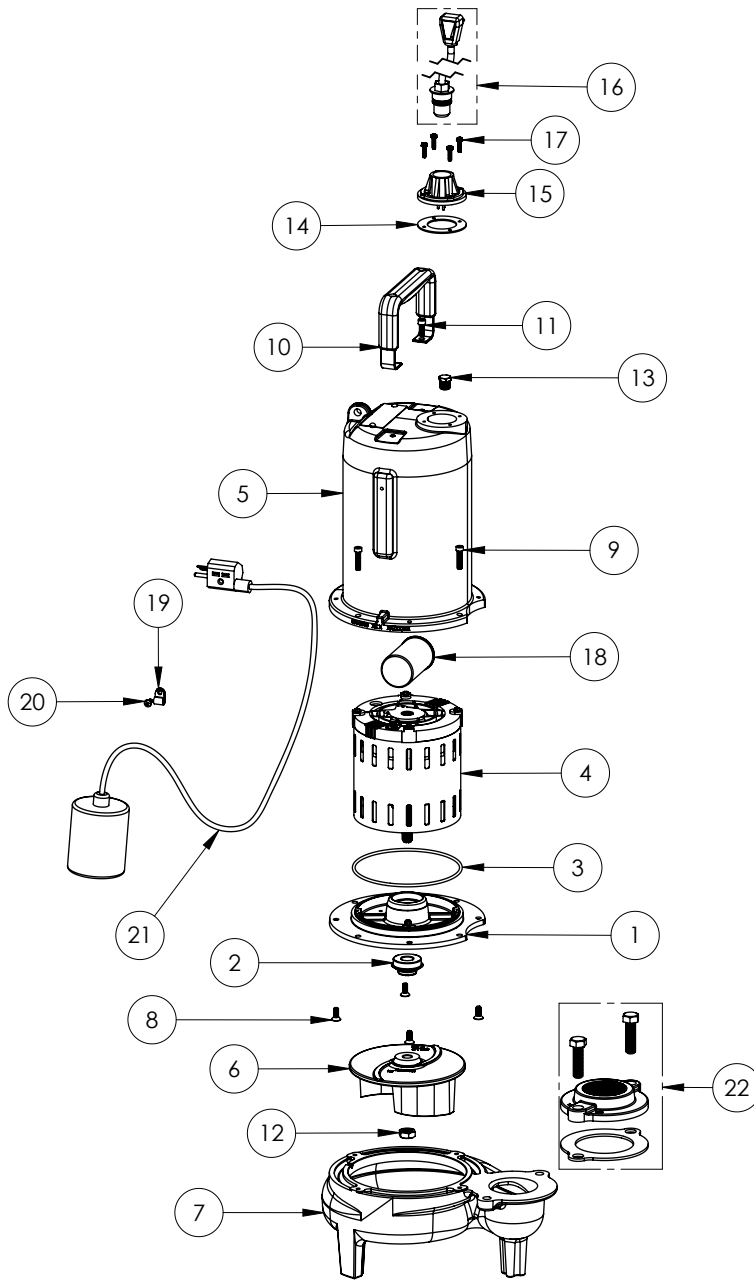
#	PART #	DESCRIPTION	QTY	Note
1	53260AR	MOTOR PLATE	1	
2	5120000	5/8 INCH UNITIZED SHAFT SEAL	1	[1]
3	5617000	O-RING	1	
4	5341200	MOTOR ASSY ADDFUL	1	[1]
5	531400R	MOTOR COVER	1	
6	5130000	IMPELLER, CAST IRON	1	
7	531500R	VOLUTE HOUSING	1	
8	8018000	1/4-20 x 5/8 SLOTTED FLAT HEAD BOLT	4	
9	8091000	1/4-20 x 1 HEX SOCKET HEAD BOLT	4	
10	8046000	1/2-20 HEX STAINLESS STEEL JAM NUT	1	
11	3411200	HANDLE	1	
12	8103000	SCREW 1/4-20x5/8" HX SKT SS	2	
13	5071000	BRASS OIL PLUG	1	
14	5060000	CORD PLATE GASKET	1	
15	5014000	CORD PLATE	1	
16	K001058	POWER CORD, 10FT. 230V	1	
17	8064000	#8-32 x 5/8 HEX WASHER HEAD SCREW	4	
18	51190F0	CAPACITOR	1	
19	8067000	CABLE CLAMP	1	
20	8082000	#10-24 x 3/8 EPOXY LOCK SCREW	1	
21	K001019	61140A0 PUMP SWITCH, 10' 230V, INCLUDES MOUNTING HARDWARE	1	
22	K001221	2" DISCHARGE KIT	1	

PART NOTES:

[1] - Part requires factory authorized service. Contact Liberty Pumps at 1-800-543-2550

LE72A2

LE72A2 (B72)



Liberty
Pumps

LE72A2**LE72A2 (B72)**

#	PART #	DESCRIPTION	QTY	Note
1	53260BR	MOTOR SUPPORT PLATE	1	
2	5120000	5/8 INCH UNITIZED SHAFT SEAL	1	[1]
3	5617000	O-RING	1	
4	5330000	MOTOR	1	[1]
5	531400R	MOTOR COVER	1	
6	5130000	IMPELLER, CAST IRON	1	
7	531500R	VOLUTE HOUSING	1	
8	8018000	1/4-20 x 5/8 SLOTTED FLAT HEAD BOLT	4	
9	8091000	1/4-20 x 1 HEX SOCKET HEAD BOLT	4	
10	3411200	HANDLE	1	
11	8103000	SCREW 1/4-20x5/8" HX SKT SS	2	
12	8046000	1/2-20 HEX STAINLESS STEEL JAM NUT	1	
13	50710A0	PIPE PLUG, 1/4" HEX HD BRASS NPTF	1	
14	5060000	CORD PLATE GASKET	1	
15	5014000	CORD PLATE	1	
16	K001058	POWER CORD, 10FT. 230V	1	
17	8064000	#8-32 x 5/8 HEX WASHER HEAD SCREW	4	
18	51190F0	CAPACITOR	1	
19	8014000	CABLE CLAMP	1	
20	8082000	#10-24 x 3/8 EPOXY LOCK SCREW	1	
21	K001019	61140A0 PUMP SWITCH, 10' 230V, INCLUDES MOUNTING HARDWARE	1	
22	K001221	2" DISCHARGE KIT	1	

PART NOTES:

[1] - Part requires factory authorized service. Contact Liberty Pumps at 1-800-543-2550