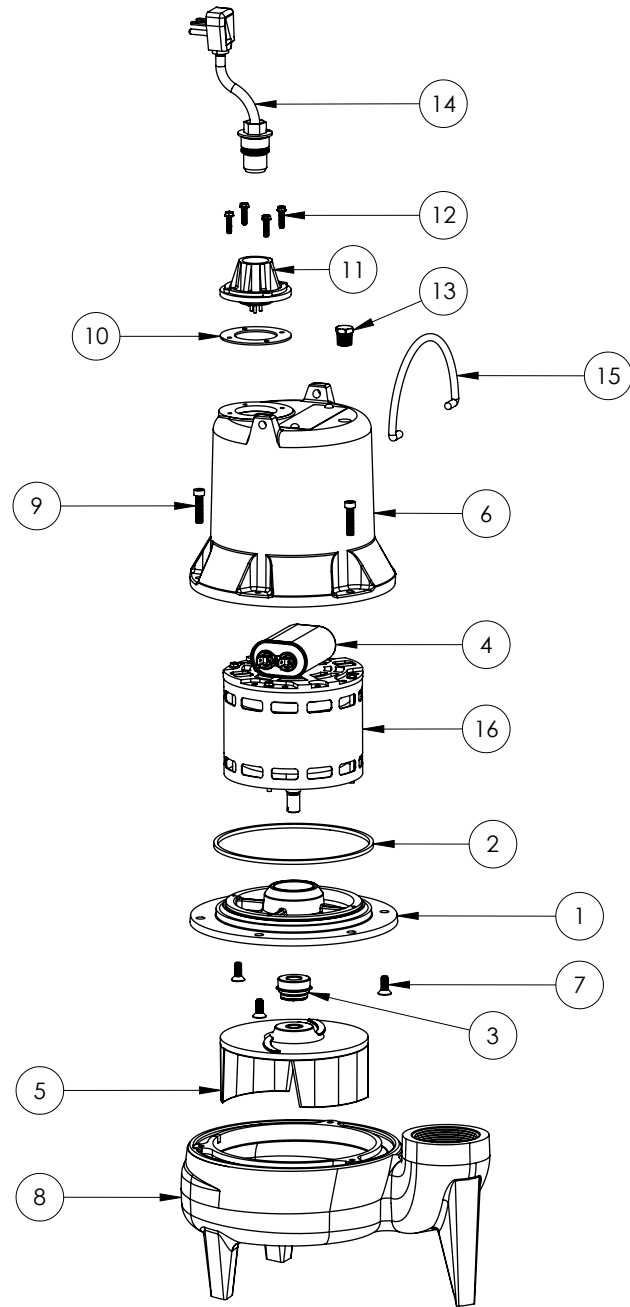


LE52M (B42)



LE52M**LE52M (B42)**

#	PART #	DESCRIPTION	QTY	Note
1	509200R	MOTOR SUPPORT PLATE	1	
2	5066000	SEALRING, MOTOR COVER, #254S	1	[1]
3	50980A0	1/2 INCH UNITIZED SEAL	1	[1]
4	51930E0	CAPACITOR	1	
5	K001039	IMPELLER	1	
6	527800R	MOTOR CAP	1	
7	8018000	1/4-20 x 5/8 SLOTTED FLAT HEAD BOLT	3	
8	545100R	HOUSING, VOLUTE	1	
9	8091000	1/4-20 x 1 HEX SOCKET HEAD BOLT	3	
10	5060000	CORD PLATE GASKET	1	
11	5014000	CORD PLATE	1	
12	8064000	#8-32 x 5/8 HEX WASHER HEAD SCREW	4	
13	5071000	BRASS OIL PLUG	1	
14	K001058	POWER CORD, 10FT. 230V	1	
15	K001095	STAINLESS STEEL HANDLE	1	
16	51982A0	MOTOR .5HP PSC 230V	1	[1]

PART NOTES:

[1] - Part requires factory authorized service. Contact Liberty Pumps at 1-800-543-2550