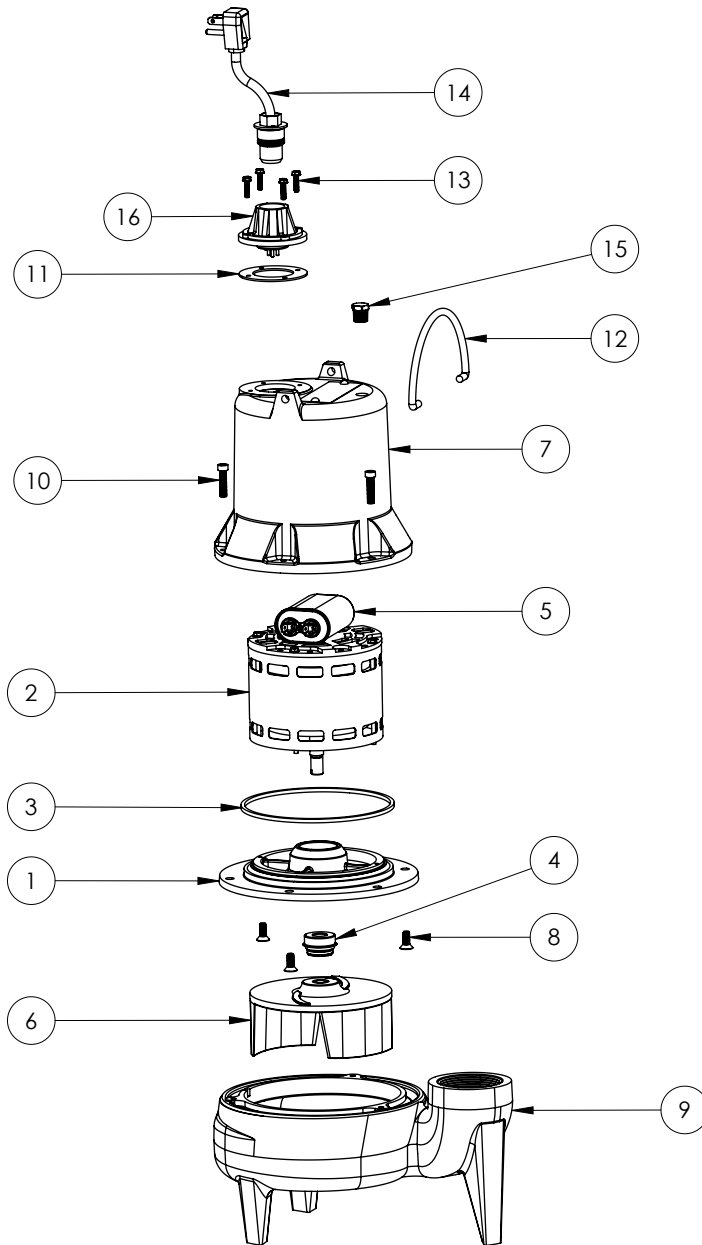


LE51M-2 (B41)



LE51M-2**LE51M-2 (B41)**

#	PART #	DESCRIPTION	QTY	Note
1	509200R	MOTOR SUPPORT PLATE	1	
2	51972A0	MOTOR 1/2HP WITH BALL BEARINGMOTOR .5HP WITH BALL BEARING	1	[1]
3	5066000	SEALRING, MOTOR COVER, #254S	1	[1]
4	50980A0	1/2 INCH UNITIZED SEAL	1	[1]
5	51930E0	CAPACITOR	1	
6	K001039	IMPELLER	1	
7	527800R	MOTOR CAPMOTOR CAP, BROWN	1	
8	8018000	1/4-20 x 5/8 SLOTTED FLAT HEAD BOLT1/4-20X5/8 SLOTTED FLAT HEAD	3	
9	545100R	HOUSING, VOLUTEHOUSING, VOLUTE, BROWN	1	
10	8091000	1/4-20 x 1 HEX SOCKET HEAD BOLT	3	
11	5060000	CORD PLATE GASKET	1	
12	K001095	STAINLESS STEEL HANDLE	1	
13	8064000	#8-32 x 5/8 HEX WASHER HEAD SCREW#8-32 x 5/8 HEX WASHER HEAD	4	
14	K001008	POWER CORD, 115V, 25 FOOT CORDPOWER CORD, 115V 25ft CORD	1	
15	5071000	BRASS OIL PLUG	1	
16	5014000	CORD PLATE	1	

PART NOTES:

[1] - Part requires factory authorized service. Contact Liberty Pumps at 1-800-543-2550