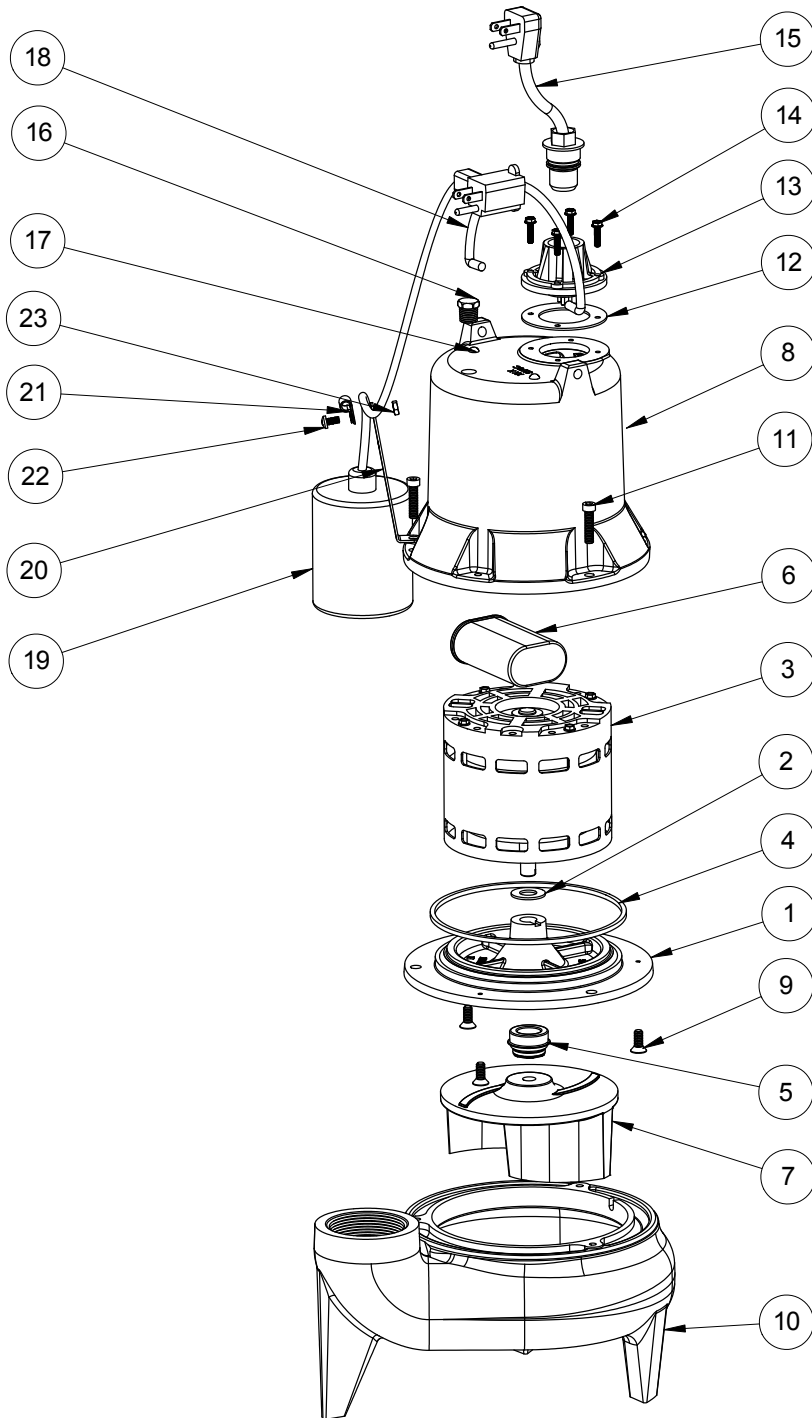


LE51A

LE51A (B20)



LE51A**LE51A (B20)**

#	PART #	DESCRIPTION	QTY	Note
1	5052000	MOTOR SUPPORT PLATE	1	
2	5395000	THRUST WASHER	1	
3	5176000	MOTOR ASSEMBLY, .5HP	1	
4	5066000	SEALRING, MOTOR COVER, #254S	1	[1]
5	50980A0	1/2 INCH UNITIZED SEAL	1	[1]
6	51930C0	CAPACITOR	1	
7	K001039	IMPELLER	1	
8	527800R	MOTOR CAP	1	
9	8018000	1/4-20 x 5/8 SLOTTED FLAT HEAD BOLT	3	
10	545100R	HOUSING, VOLUTE	1	
11	8091000	1/4-20 x 1 HEX SOCKET HEAD BOLT	3	
12	5060000	CORD PLATE GASKET	1	
13	5014000	CORD PLATE	1	
14	8064000	#8-32 x 5/8 HEX WASHER HEAD SCREW	4	
15	K001010	POWER CORD, 115V, 10 FOOT CORD	1	
16	5071000	BRASS OIL PLUG	1	
17	8033000	#8 x 1/4 STAINLESS STEEL SCREW	2	
18	K001095	STAINLESS STEEL HANDLE	1	
19	K001001	PUMP SWITCH KIT, INCLUDES MOUNTING HARDWARE	1	
20	5070000	FLOAT SWITCH SUPPORT	1	
21	8014000	CABLE CLAMP	1	
22	8082000	#10-24 x 3/8 EPOXY LOCK SCREW	1	
23	8002000	#10-24 STAINLESS STEEL HEX	1	

PART NOTES:

[1] - Part requires factory authorized service. Contact Liberty Pumps at 1-800-543-2550