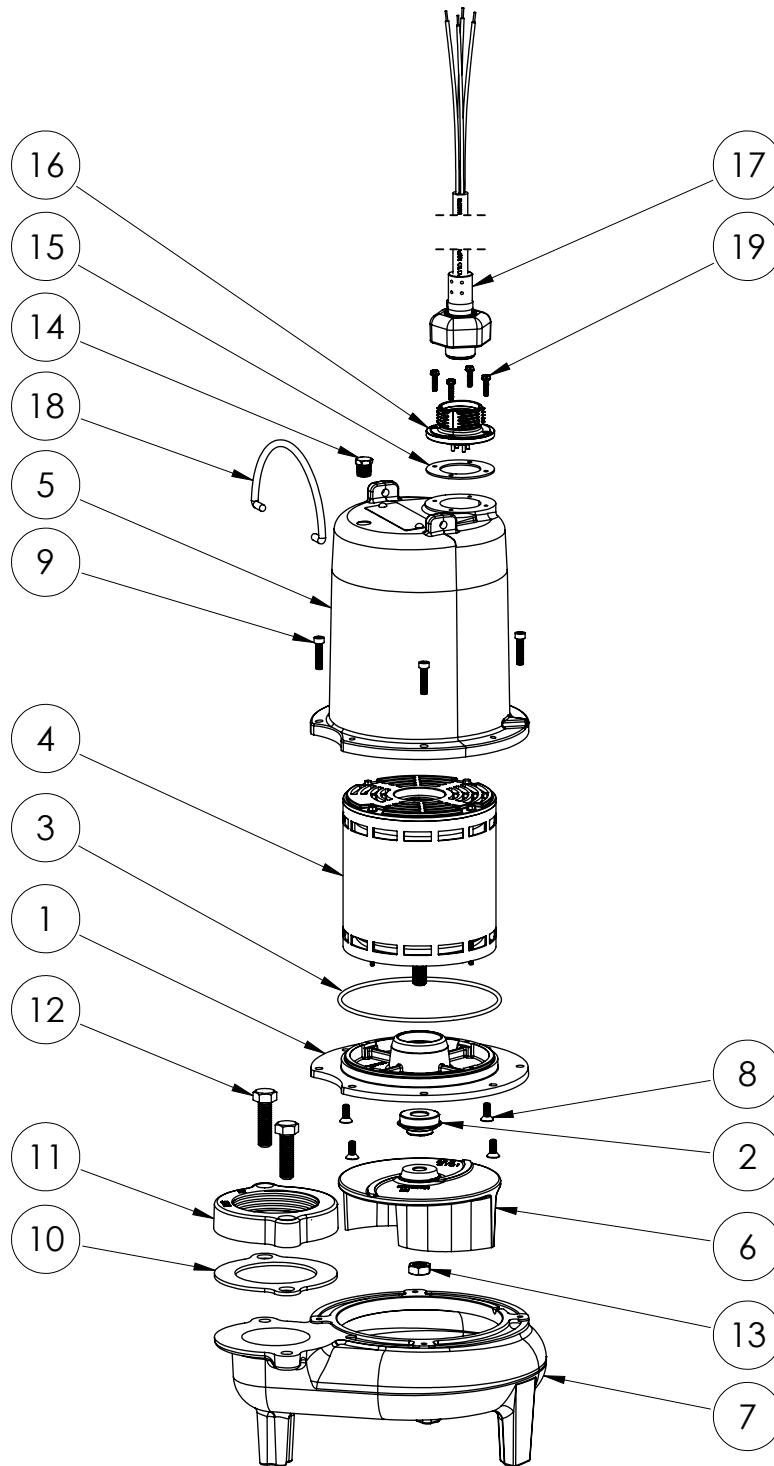


LE104M3-2 (B61)



LE104M3-2B61

**LE104M3-2****LE104M3-2 (B61)**

| #  | PART #  | DESCRIPTION                                 | QTY | Note |
|----|---------|---|-----|------|
| 1  | 532600R | MOTOR SUPPORT PLATE                         | 1   |      |
| 2  | 5120000 | 5/8 INCH UNITIZED SHAFT SEAL                | 1   | [1]  |
| 3  | 5617000 | O-RING                                      | 1   |      |
| 4  | 5344000 | MOTOR                                       | 1   |      |
| 5  | 531400R | MOTOR COVER                                 | 1   |      |
| 6  | K001486 | 5131000 IMPELLER KIT, INCLUDES 1/2" JAM NUT | 1   |      |
| 7  | 531500R | VOLUTE HOUSING                              | 1   |      |
| 8  | 8018000 | 1/4-20 x 5/8 SLOTTED FLAT HEAD BOLT         | 4   |      |
| 9  | 8091000 | 1/4-20 x 1 HEX SOCKET HEAD BOLT             | 4   |      |
| 10 | 5129000 | FLANGE GASKET, FITS 2" OR 3"                | 1   |      |
| 11 | K001222 | 3" DISCHARGE KIT                            | 1   |      |
| 12 | 8037000 | 1/2-13 x 1-3/4 STAINLESS STEEL BOLT         | 2   |      |
| 13 | 8046000 | 1/2-20 HEX STAINLESS STEEL JAM NUT          | 1   |      |
| 14 | 5071000 | BRASS OIL PLUG                              | 1   |      |
| 15 | 5060000 | CORD PLATE GASKET                           | 1   |      |
| 16 | 5629000 | GRINDER CORDPLATE                           | 1   |      |
| 17 | K001357 | POWER CORD, 25FT                            | 1   |      |
| 18 | K001095 | STAINLESS STEEL HANDLE                      | 1   |      |
| 19 | 8064000 | #8-32 x 5/8 HEX WASHER HEAD SCREW           | 4   |      |

**PART NOTES:**

[1] - Part requires factory authorized service. Contact Liberty Pumps at 1-800-543-2550