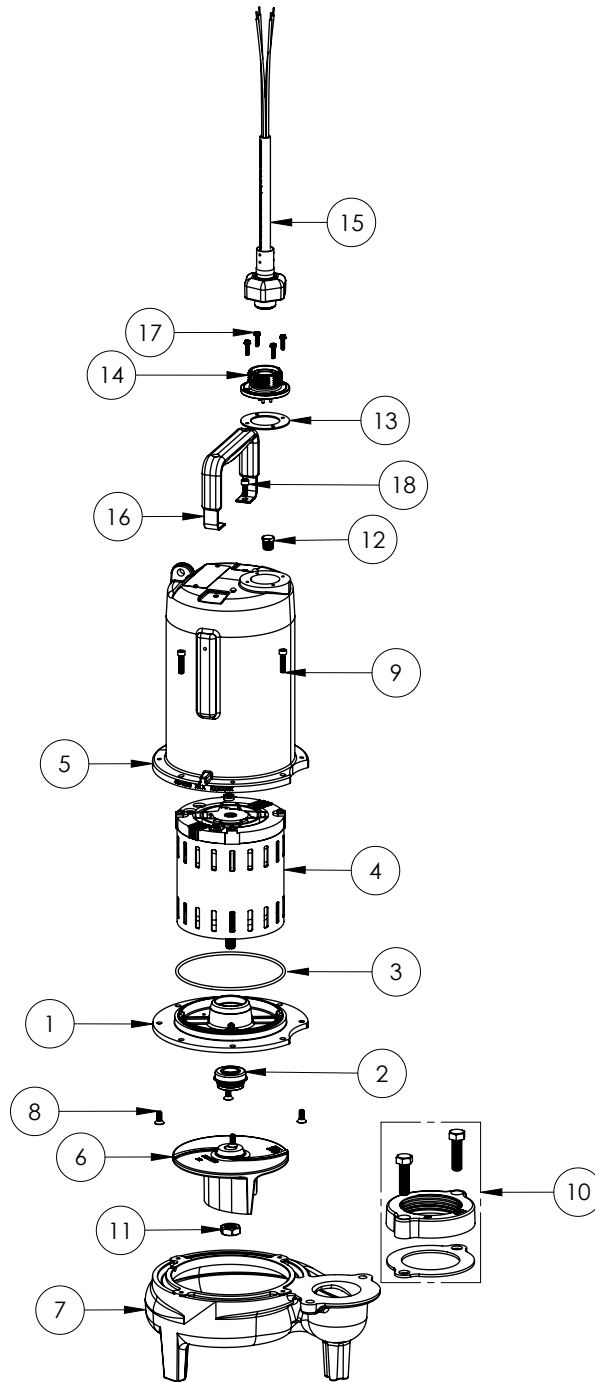


LE103M3-2 (B72)



LE103M3-2**LE103M3-2 (B72)**

| # | PART # | DESCRIPTION | QTY | Note |
|----|---------|---|-----|------|
| 1 | 53260BR | MOTOR SUPPORT PLATE | 1 | |
| 2 | 5120000 | 5/8 INCH UNITIZED SHAFT SEAL | 1 | [1] |
| 3 | 5617000 | O-RING | 1 | |
| 4 | 5333000 | MOTOR | 1 | [1] |
| 5 | 531400R | MOTOR COVER | 1 | |
| 6 | K001486 | 5131000 IMPELLER KIT, INCLUDES 1/2" JAM NUT | 1 | |
| 7 | 531500R | VOLUTE HOUSING | 1 | |
| 8 | 8018000 | 1/4-20 x 5/8 SLOTTED FLAT HEAD BOLT | 4 | |
| 9 | 8091000 | 1/4-20 x 1 HEX SOCKET HEAD BOLT | 4 | |
| 10 | K001222 | 3" DISCHARGE KIT | 1 | |
| 11 | 8046000 | 1/2-20 HEX STAINLESS STEEL JAM NUT | 1 | |
| 12 | 5071000 | BRASS OIL PLUG | 1 | |
| 13 | 5060000 | CORD PLATE GASKET | 1 | |
| 14 | 5629000 | GRINDER CORDPLATE | 1 | |
| 15 | K001357 | POWER CORD, 25FT | 1 | |
| 16 | 3411200 | HANDLE | 1 | |
| 17 | 8064000 | #8-32 x 5/8 HEX WASHER HEAD SCREW | 4 | |
| 18 | 8103000 | SCREW 1/4-20x5/8" HX SKT SS | 2 | |

PART NOTES:

[1] - Part requires factory authorized service. Contact Liberty Pumps at 1-800-543-2550