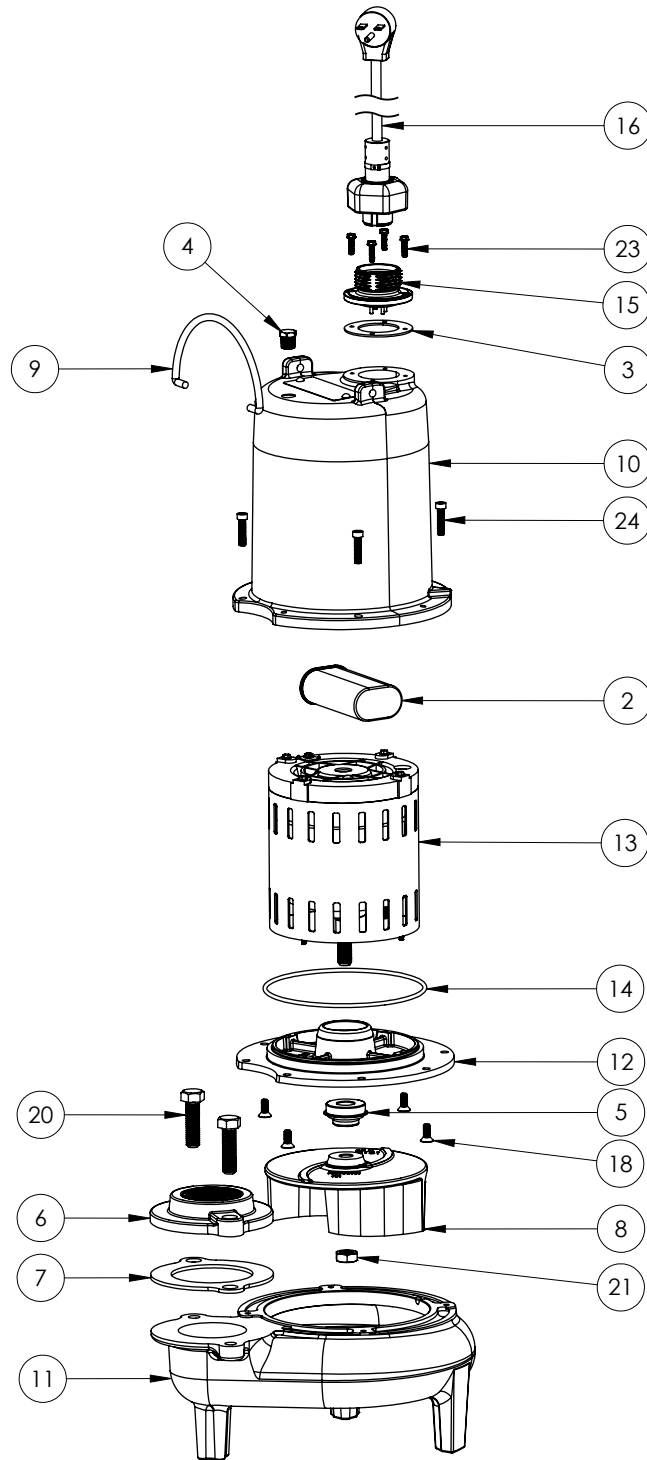


LE102M2-3 (B62)



LE102M2-3

LE102M2-3 (B62)

#	PART #	DESCRIPTION	QTY	Note
2	51190F0	CAPACITOR	1	
3	5060000	CORD PLATE GASKET	1	
4	5071000	BRASS OIL PLUG	1	
5	5120000	5/8 INCH UNITIZED SHAFT SEAL	1	[1]
6	K001221	2" DISCHARGE KIT	1	
7	5129000	FLANGE GASKET, FITS 2" OR 3"	1	
8	K001486	5131000 IMPELLER KIT, INCLUDES 1/2" JAM NUT	1	
9	K001095	STAINLESS STEEL HANDLE	1	
10	531400R	MOTOR COVER	1	
11	531500R	VOLUTE HOUSING	1	
12	53260B0	MOTOR PLATE	1	[1]
13	5332000	MOTOR	1	[1]
14	5617000	O-RING	1	
15	K001216	5619000, CORDPLATE	1	
16	K001356	POWER CORD, 35FT.	1	
18	8018000	1/4-20 x 5/8 SLOTTED FLAT HEAD BOLT	4	
20	8037000	1/2-13 x 1-3/4 STAINLESS STEEL BOLT	2	
21	8046000	1/2-20 HEX STAINLESS STEEL JAM NUT	1	
23	8064000	#8-32 x 5/8 HEX WASHER HEAD SCREW	4	
24	8091000	1/4-20 x 1 HEX SOCKET HEAD BOLT	4	

PART NOTES:

[1] - Part requires factory authorized service. Contact Liberty Pumps at 1-800-543-2550