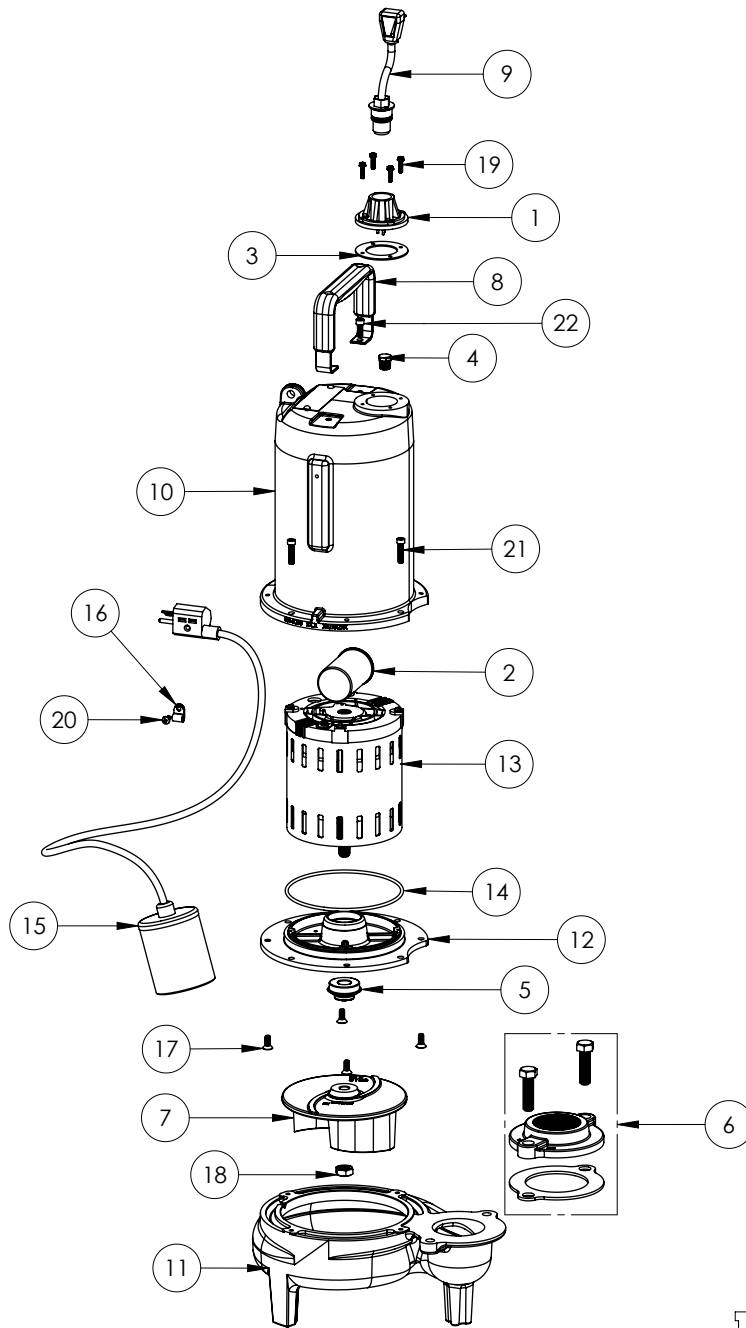


LE102A2

LE102A2 (B72)



Liberty
Pumps

LE102A2

LE102A2 (B72)

#	PART #	DESCRIPTION	QTY	Note
1	5014000	CORD PLATE	1	
2	51190F0	CAPACITOR	1	
3	5060000	CORD PLATE GASKET	1	
4	50710A0	PIPE PLUG, 1/4" HEX HD BRASS NPTF	1	
5	5120000	5/8 INCH UNITIZED SHAFT SEAL	1	[1]
6	K001221	2" DISCHARGE KIT	1	
7	K001486	5131000 IMPELLER KIT, INCLUDES 1/2" JAM NUT	1	
8	3411200	HANDLE	1	
9	K001058	POWER CORD, 10FT. 230V	1	
10	531400R	MOTOR COVER	1	
11	531500R	VOLUTE HOUSING	1	
12	53260BR	MOTOR SUPPORT PLATE	1	
13	5332000	MOTOR	1	[1]
14	5617000	O-RING	1	
15	K001019	61140A0 PUMP SWITCH, 10' 230V, INCLUDES MOUNTING HARDWARE	1	
16	8014000	CABLE CLAMP	1	
17	8018000	1/4-20 x 5/8 SLOTTED FLAT HEAD BOLT	4	
18	8046000	1/2-20 HEX STAINLESS STEEL JAM NUT	1	
19	8064000	#8-32 x 5/8 HEX WASHER HEAD SCREW	4	
20	8082000	#10-24 x 3/8 EPOXY LOCK SCREW	1	
21	8091000	1/4-20 x 1 HEX SOCKET HEAD BOLT	4	
22	8103000	SCREW 1/4-20x5/8" HX SKT SS	1	

PART NOTES:

[1] - Part requires factory authorized service. Contact Liberty Pumps at 1-800-543-2550