



Replacement Parts List

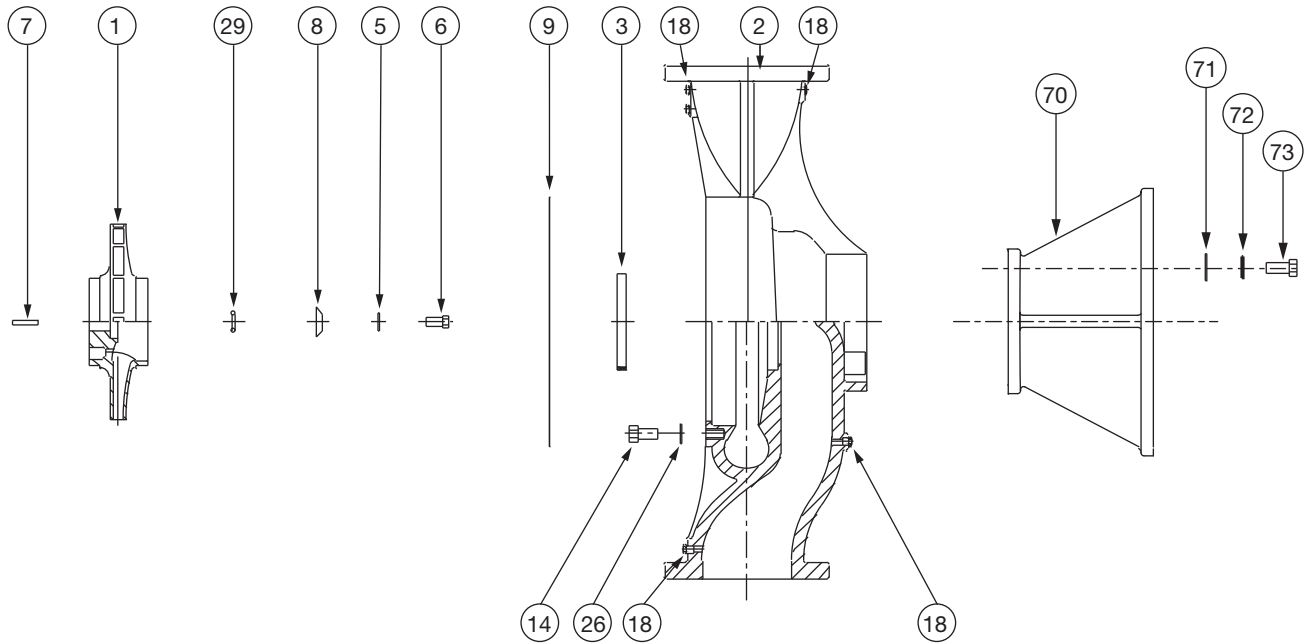
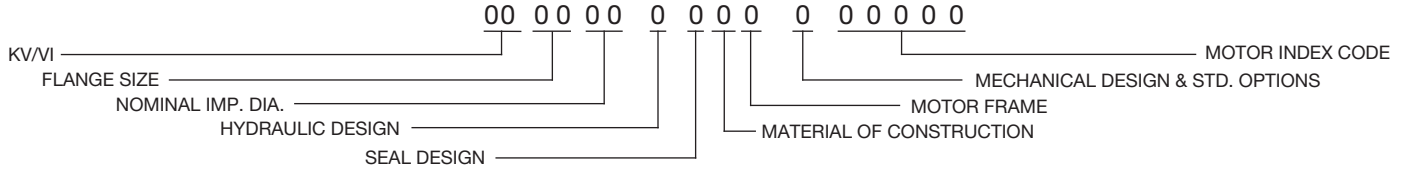
304-358

KV 4075

SUPERSEDES: JANUARY 31, 2004

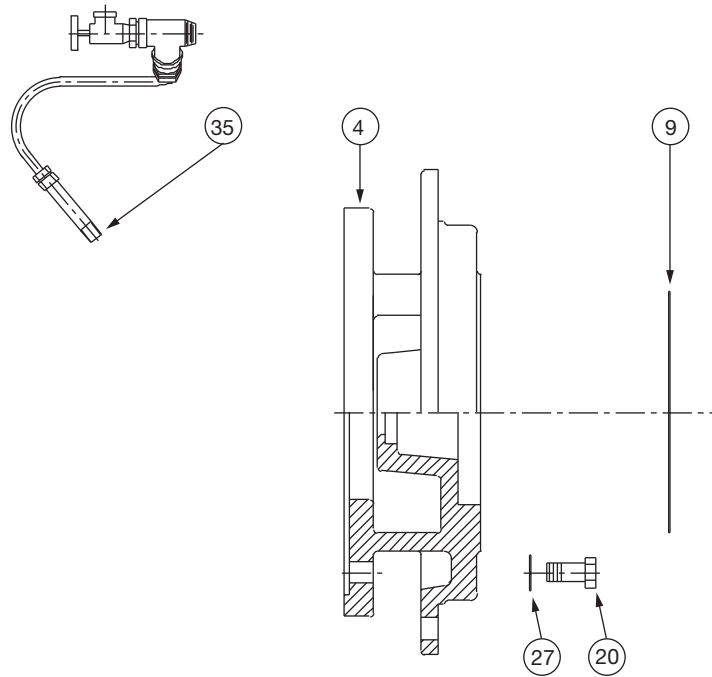
EFFECTIVE: NOVEMBER 1, 2009

WHEN SELECTING AND ORDERING PARTS, ALWAYS REFER TO SERIAL NUMBER ON NAMEPLATE



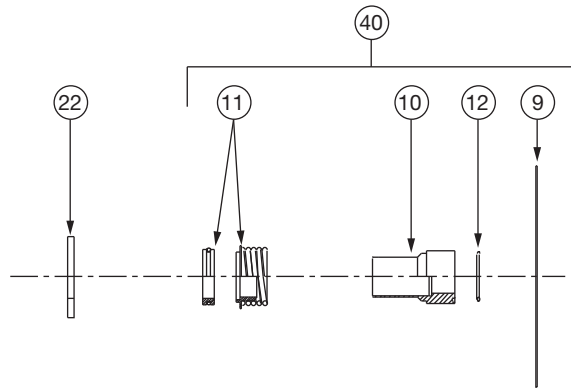
ITEM NO.	NO. REQ.	DESCRIPTION	4075	4075
			FRAME H, J OR K	FRAME L, M OR N
1	1	IMPELLER (CI)	953-1779RP	953-1781RP
1	1	IMPELLER (BRZ)	953-1780RP	953-1782RP
2	1	CASING (125#)(NO WR STD)	953-2083RP	953-2083RP
2	1	CASING (250#)(NO WR STD)	953-2084RP	953-2084RP
2	1	CASING (125#)(W/WR OPT)	953-2081RP	953-2081RP
2	1	CASING (250#)(W/WR OPT)	953-2082RP	953-2082RP
3	1(W/R)	WEAR RING (BRZ) (OPT)	953-1787RP	953-1787RP
5	1	DOWDY WASHER	951-2578RP	951-2579RP
6	1	IMPELLER BOLT	3/8NCx1-3/4LG	1/2NCx1-3/4LG
7	1	IMPELLER KEY	3/16x3/16x1-7/8LG	1/4x1/4x2-1/2LG
8	1	IMPELLER WASHER	953-828RP	953-829RP
9	1	GASKET (CASING)	953-568RP	953-568RP
14	8	CASING BOLT	3/8NCx1"LG	3/8NCx1"LG
18	5	PIPE PLUG	1/4 NPT	1/4 NPT
26	8	CASING WASHER	3/8"	3/8"
29	1	IMPELLER GASKET	953-830RP	953-759RP
70	1	SUPPORT STAND (OPTIONAL)	953-3967RP	953-3967RP
71	4	WASHER	3/8"	3/8"
72	4	LOCK WASHER	3/8"	3/8"
73	4	BOLT	3/8"NC x 1 1/8"LG	3/8"NC x 1 1/8"LG

AW-753 REV C



ITEM NO.	NO. REQ.	DESCRIPTION	MOTOR FRAME				MODEL NO
			H OR J	K	L	M OR N	
4	1	COVER	953-1168RP	953-1169RP	-----	-----	1507
4	1	COVER	953-1161RP	953-1162RP	953-1163RP	-----	2007
4	1	COVER	953-1164RP	953-1165RP	953-1166RP	953-1167RP	3007
4	1	COVER	953-562RP	953-564RP	953-566RP	953-567RP	4007
4	1	COVER	953-1380RP	953-1381RP	953-1382RP	953-1383RP	5007
4	1	COVER	953-1788RP	953-1789RP	953-1790RP	953-1791RP	4075
4	1	COVER	953-1742RP	953-1743RP	953-1740RP	953-1741RP	5075
9	1	GASKET (CASING)	SEE PAGE 1	SEE PAGE 1	SEE PAGE 1	SEE PAGE 1	ALL ABOVE
20	4	MOTOR BOLT	3/8NCx7/8LG	1/2NCx1LG	1/2NCx1LG	5/8NCx1-1/4LG	
27	4	MOTOR WASHER	3/8"	1/2"	1/2"	5/8"	
35	1	TUBE KIT	953-1547RP	953-1547RP	953-1547RP	953-1547RP	

AW-623 REV B



2508, 2510	2508, 2510	2508, 2510	2508, 2510
1506, 2006, 3006		1506, 2006, 3006	
1507, 2007, 3007, 4007, 4075, 5007 5075	2007, 3007, 4007, 4075, 5007 5075	1507, 2007, 3007, 4007, 4075, 5007 5075	2007, 3007, 4007, 4075, 5007 5075
1509, 2009, 3009, 4009, 5095, 6095 6009	1509, 2009, 3009, 4009, 5095, 6095 6009	1509, 2009, 3009, 4009, 5095, 6095 6009	1509, 2009, 3009, 4009, 5095, 6095 6009
2011, 3011, 4011, 6011,	2011, 3011, 4011, 6011, 8011	2011, 3011, 4011, 6011,	2011, 3011, 4011, 6011, 8011
3013, 4013, 6013	3013, 4013, 6013, 8013	3013, 4013, 6013	3013, 4013, 6013, 8013

ITEM NO.	NO. REQ.	DESCRIPTION	MOTOR FRAME		MOTOR FRAME	
			H, J OR K	L,M,N OR R	H, J OR K	L,M,N OR R
			MECHANICAL DES. A OR C (125#)		MECHANICAL DES. B OR D (250#)	
9	1	GASKET (CASING)	SEE PAGE 1	SEE PAGE 1	SEE PAGE 1	SEE PAGE 1
10	1	SLEEVE (SS)	953-1118RP	953-1170RP	953-1892RP	953-1891RP
10	1	SLEEVE (BRZ)	953-1119RP	953-1171RP	953-1861RP	953-1887RP
11	1	SEAL (TYPE B)	951-3157RP	951-3158RP	951-3766RP	951-5158RP
11	1	SEAL (TYPE D)	951-3159RP	951-3160RP	951-3781RP	951-5159RP
11	1	SEAL (TYPE E)	951-3161RP	951-3162RP	951-3782RP	951-5160RP
12	1	SLEEVE GASKET	953-830RP	951-3042RP	953-830RP	951-3042RP
22	1	DEFLECTOR	900-044RP	951-3065RP	900-044RP	951-3065RP
40	1	SEAL KIT (TYPE B) SS	953-1549-1RP	953-1549-4RP	953-1549-7RP	953-1549-10RP
40	1	SEAL KIT (TYPE B) BRZ	953-1549-1BRP	953-1549-4BRP	953-1549-7BRP	953-1549-10BRP
40	1	SEAL KIT (TYPE D) SS	953-1549-2RP	953-1549-5RP	953-1549-8RP	953-1549-11RP
40	1	SEAL KIT (TYPE D) BRZ	953-1549-2BRP	953-1549-5BRP	953-1549-8BRP	953-1549-11BRP
40	1	SEAL KIT (TYPE E) SS	953-1549-3RP	953-1549-6RP	953-1549-9RP	953-1549-12RP
40	1	SEAL KIT (TYPE E) BRZ	953-1549-3BRP	953-1549-6BRP	953-1549-9BRP	953-1549-12BRP

AW-640 REV B

Do it Once. Do it Right.®

TACO, INC., 1160 Cranston Street, Cranston, RI 02920 Telephone: (401) 942-8000 FAX: (401) 942-2360.

TACO (Canada), Ltd., 8450 Lawson Road, Unit #3, Milton, Ontario L9T 0J8. Telephone: 905/564-9422. FAX: 905/564-9436.

Visit our web site at: <http://www.taco-hvac.com>

Printed in USA

Copyright 2009

TACO, Inc.