



# Replacement Parts List

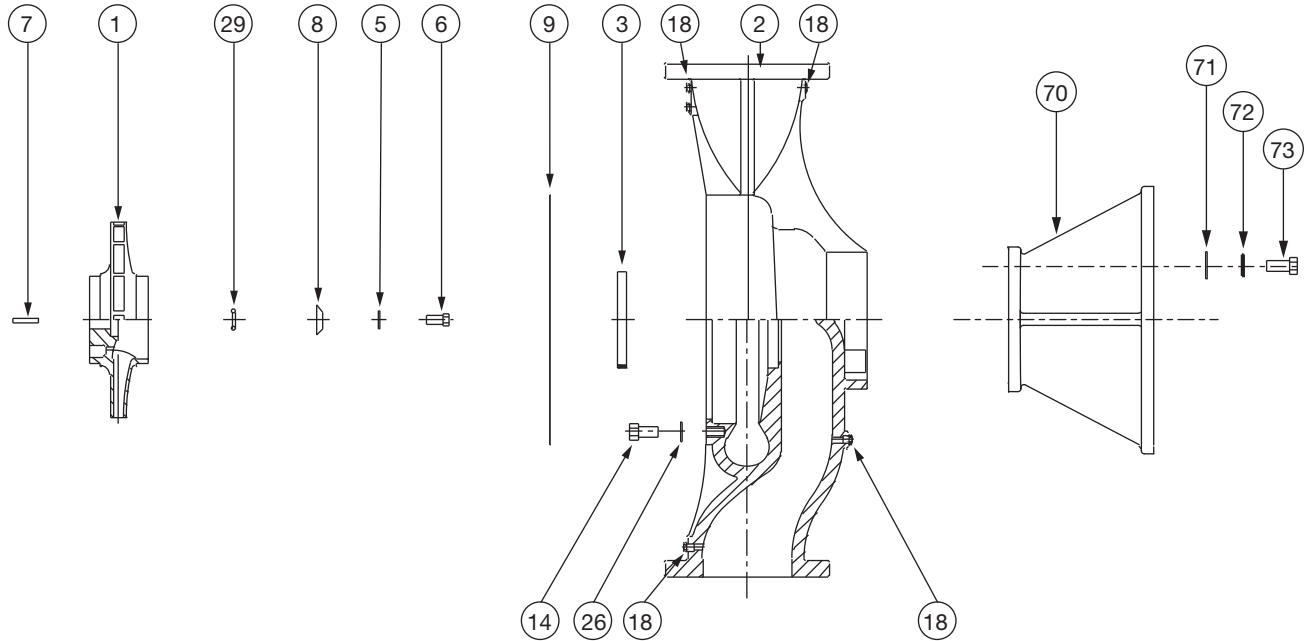
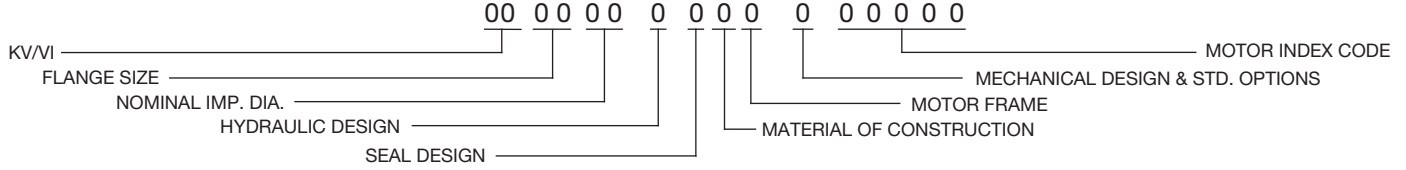
304- 333

## KV 4011, 6011, 8011

SUPERSEDES: JANUARY 31, 2004

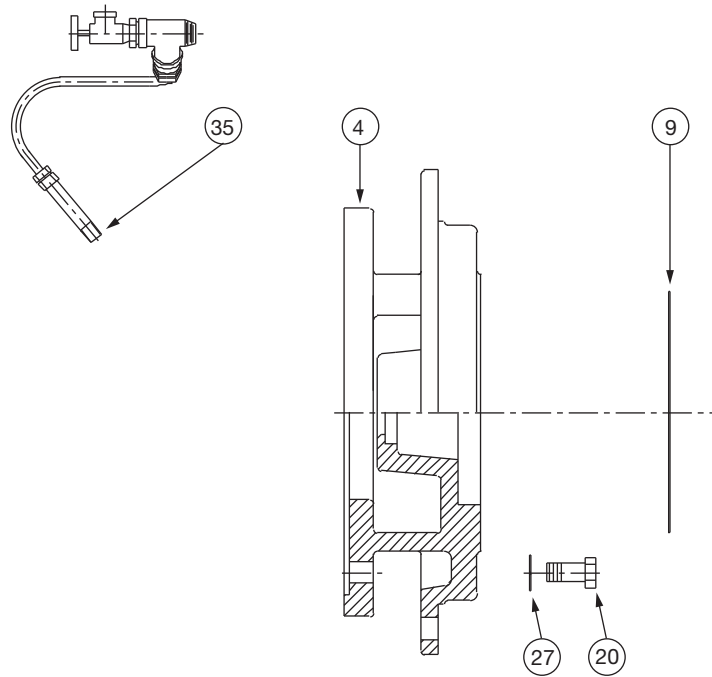
EFFECTIVE: NOVEMBER 1, 2009

WHEN SELECTING AND ORDERING PARTS, ALWAYS REFER TO SERIAL NUMBER ON NAMEPLATE



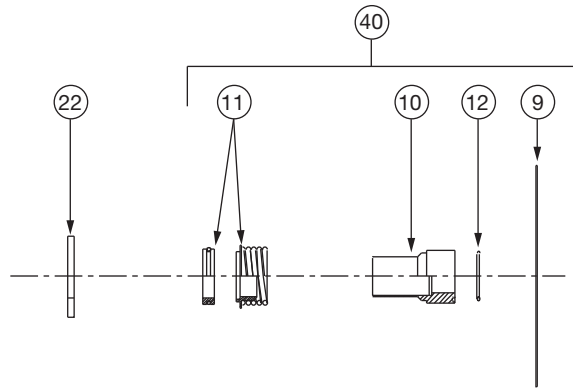
ITEM NO.	NO. REQ.	DESCRIPTION	4011	4011	6011	6011	8011
			FRAME H, J OR K	FRAME L, M OR N	FRAME H, J OR K	FRAME L, M OR N	FRAME L, M OR N
1	1	IMPELLER (CI)	953-1217RP	953-1219RP	953-1100RP	953-1101RP	953-1181RP
1	1	IMPELLER (BRZ)	953-1218RP	953-1220RP	953-1102RP	953-1103RP	953-1182RP
2	1	CASING (125#)(W/WR OPT)	953-1225RP	953-1225RP	953-1106RP	953-1106RP	953-1187RP
2	1	CASING (250#)(W/WR OPT)	953-1226RP	953-1226RP	953-1107RP	953-1107RP	953-1188RP
2	1	CASING (125#)(NO WR STD)	953-1453RP	953-1453RP	953-1457RP	953-1457RP	953-1463RP
2	1	CASING (250#)(NO WR STD)	953-1455RP	953-1455RP	953-1459RP	953-1459RP	953-1465RP
3	1(W/R)	WEAR RING (BRZ) (OPT)	953-1232RP	953-1232RP	LE5263-12RP	LE5263-12RP	953-1180RP
5	1	DOWDY WASHER	951-2578RP	951-2579RP	951-2578RP	951-2579RP	951-2579RP
6	1	IMPELLER BOLT	3/8NCx1"LG	1/2NCx1-1/2LG	3/8NCx1"LG	1/2NCx1-1/2LG	1/2NCx1-1/2LG
7	1	IMPELLER KEY	3/16x3/16x1-1/8LG	1/4x1/4x2LG	3/16x3/16x1-1/8LG	1/4x1/4x2LG	1/4x1/4x2LG
8	1	IMPELLER WASHER	953-828RP	953-829RP	953-828RP	953-829RP	953-829RP
9	1	GASKET (CASING)	953-1010RP	953-1010RP	953-1010RP	953-1010RP	953-1010RP
14	12	CASING BOLT	1/2NCx1LG	1/2NCx1LG	1/2NCx1LG	1/2NCx1LG	1/2NCx1LG
18	5	PIPE PLUG	1/4 NPT	1/4 NPT	1/4 NPT	1/4 NPT	1/4 NPT
26	12	CASING WASHER	1/2"	1/2"	1/2"	1/2"	1/2"
29	1	IMPELLER GASKET	953-830RP	953-759RP	953-830RP	953-759RP	953-759RP
70	1	SUPPORT STAND (OPTIONAL)	953-3976RP	953-3976RP	953-3988RP	953-3988RP	953-3991RP
71	4	WASHER	1/2"	1/2"	1/2"	1/2"	1/2"
72	4	LOCK WASHER	1/2"	1/2"	1/2"	1/2"	1/2"
73	4	BOLT	1/2"NC x 1 5/8"LG	1/2"NC x 1 5/8"LG	1/2"NC x 1 5/8"LG	1/2"NC x 1 5/8"LG	1/2"NC x 1 3/4"LG

AW-620 REV B



ITEM NO.	NO. REQ.	DESCRIPTION	MOTOR FRAME				MODEL NO
			H OR J	K	L	M OR N	
4	1	COVER	953-891RP	953-893RP	953-906RP	-----	2011
4	1	COVER	953-1213RP	953-1214RP	953-1215RP	953-1216RP	3011
4	1	COVER	953-1228RP	953-1229RP	953-1230RP	953-1231RP	4011
4	1	COVER	-----	953-895RP	953-908RP	953-911RP	6011
4	1	COVER	-----	-----	953-1192RP	953-1191RP	8011
9	1	GASKET (CASING)	SEE PAGE 1	SEE PAGE 1	SEE PAGE 1	SEE PAGE 1	ALL ABOVE
20	4	MOTOR BOLT	3/8NCx1"LG	1/2NCx1-1/4LG	1/2NCx1-1/2LG	5/8NCx1-1/4LG	
27	4	MOTOR WASHER	3/8"	1/2"	1/2"	5/8"	
35	1	TUBE KIT	953-1547RP	953-1547RP	953-1547RP	953-1547RP	

AW-625 REV A



2508, 2510	2508, 2510	2508, 2510	2508, 2510
1506, 2006, 3006		1506, 2006, 3006	
1507, 2007, 3007, 4007, 4075, 5007 5075	2007, 3007, 4007, 4075, 5007 5075	1507, 2007, 3007, 4007, 4075, 5007 5075	2007, 3007, 4007, 4075, 5007 5075
1509, 2009, 3009, 4009, 5095, 6095 6009	1509, 2009, 3009, 4009, 5095, 6095 6009	1509, 2009, 3009, 4009, 5095, 6095 6009	1509, 2009, 3009, 4009, 5095, 6095 6009
2011, 3011, 4011, 6011,	2011, 3011, 4011, 6011, 8011	2011, 3011, 4011, 6011,	2011, 3011, 4011, 6011, 8011
3013, 4013, 6013	3013, 4013, 6013, 8013	3013, 4013, 6013	3013, 4013, 6013, 8013

ITEM NO.	NO. REQ.	DESCRIPTION	MOTOR FRAME		MOTOR FRAME	
			H, J OR K	L,M,N OR R	H, J OR K	L,M,N OR R
			MECHANICAL DES. A OR C (125#)		MECHANICAL DES. B OR D (250#)	
9	1	GASKET (CASING)	SEE PAGE 1	SEE PAGE 1	SEE PAGE 1	SEE PAGE 1
10	1	SLEEVE (SS)	953-1118RP	953-1170RP	953-1892RP	953-1891RP
10	1	SLEEVE (BRZ)	953-1119RP	953-1171RP	953-1861RP	953-1887RP
11	1	SEAL (TYPE B)	951-3157RP	951-3158RP	951-3766RP	951-5158RP
11	1	SEAL (TYPE D)	951-3159RP	951-3160RP	951-3781RP	951-5159RP
11	1	SEAL (TYPE E)	951-3161RP	951-3162RP	951-3782RP	951-5160RP
12	1	SLEEVE GASKET	953-830RP	951-3042RP	953-830RP	951-3042RP
22	1	DEFLECTOR	900-044RP	951-3065RP	900-044RP	951-3065RP
40	1	SEAL KIT (TYPE B) SS	953-1549-1RP	953-1549-4RP	953-1549-7RP	953-1549-10RP
40	1	SEAL KIT (TYPE B) BRZ	953-1549-1BRP	953-1549-4BRP	953-1549-7BRP	953-1549-10BRP
40	1	SEAL KIT (TYPE D) SS	953-1549-2RP	953-1549-5RP	953-1549-8RP	953-1549-11RP
40	1	SEAL KIT (TYPE D) BRZ	953-1549-2BRP	953-1549-5BRP	953-1549-8BRP	953-1549-11BRP
40	1	SEAL KIT (TYPE E) SS	953-1549-3RP	953-1549-6RP	953-1549-9RP	953-1549-12RP
40	1	SEAL KIT (TYPE E) BRZ	953-1549-3BRP	953-1549-6BRP	953-1549-9BRP	953-1549-12BRP

AW-640 REV B

## **Do it Once. Do it Right.<sup>®</sup>**

**TACO, INC.**, 1160 Cranston Street, Cranston, RI 02920 Telephone: (401) 942-8000 FAX: (401) 942-2360.

**TACO (Canada), Ltd.**, 8450 Lawson Road, Unit #3, Milton, Ontario L9T 0J8. Telephone: 905/564-9422. FAX: 905/564-9436.

Visit our web site at: <http://www.taco-hvac.com>

Printed in USA

Copyright 2009

TACO, Inc.