



Replacement Parts List

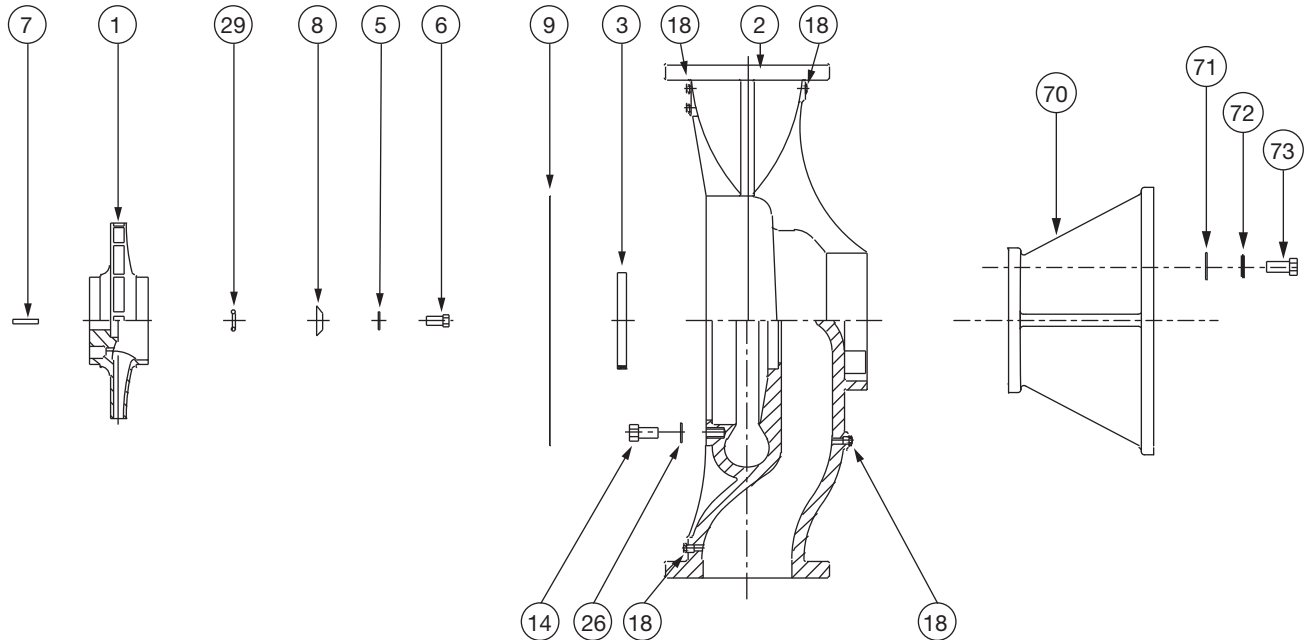
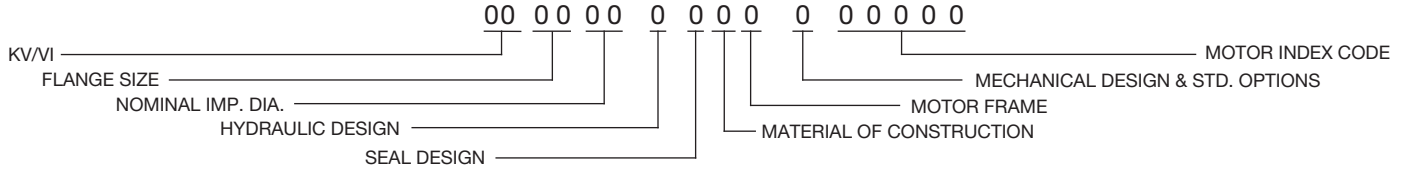
304- 355

KV 1509

SUPERSEDES: JANUARY 31, 2004

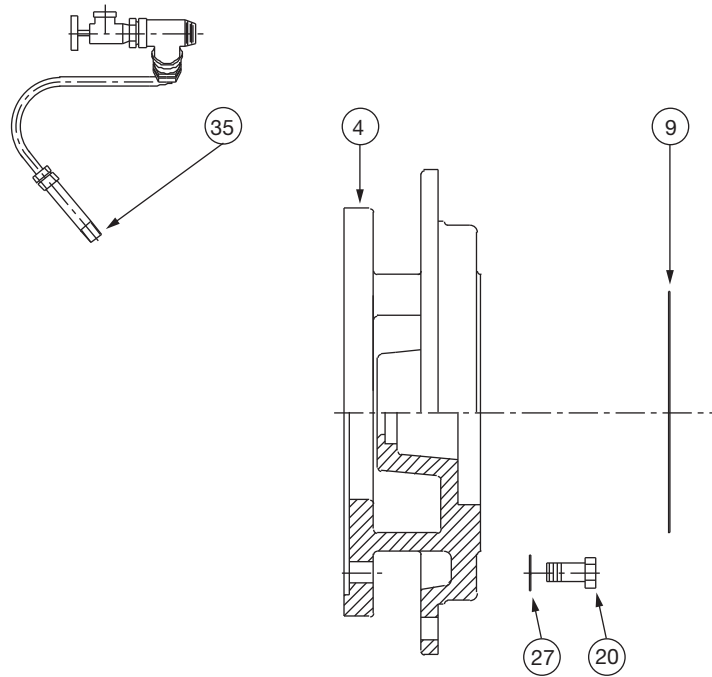
EFFECTIVE: NOVEMBER 1, 2009

WHEN SELECTING AND ORDERING PARTS, ALWAYS REFER TO SERIAL NUMBER ON NAMEPLATE



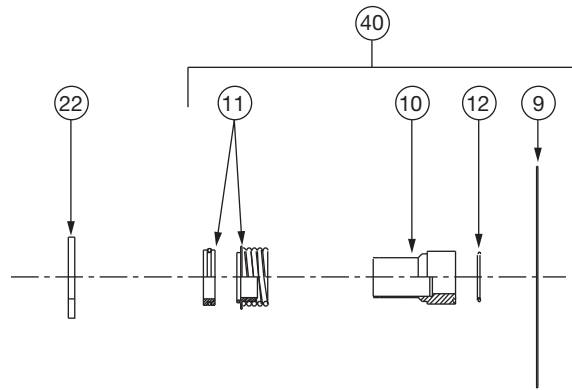
ITEM NO.	NO. REQ.	DESCRIPTION	1509	1509
			FRAME H, J OR K	FRAME L, M OR N
1	1	IMPELLER (CI)	953-1613RP	953-1629RP
1	1	IMPELLER (BRZ)	953-1614RP	953-1630RP
2	1	CASING (125#)(W/WR OPT)	953-1617RP	953-1617RP
2	1	CASING (250#)(W/WR OPT)	953-1620RP	953-1620RP
2	1	CASING (125#)(NO WR STD)	953-1619RP	953-1619RP
2	1	CASING (250#)(NO WR STD)	953-1622RP	953-1622RP
3	1(W/R)	WEAR RING (BRZ) (OPT)	953-1650RP	953-1650RP
5	1	DOWDY WASHER	951-2578RP	951-2579RP
6	1	IMPELLER BOLT	3/8NCx1"LG	1/2NCx1-1/2"LG
7	1	IMPELLER KEY	3/16x3/16x1-1/8LG	1/4x1/4x2LG
8	1	IMPELLER WASHER	953-828RP	953-829RP
9	1	GASKET (CASING)	953-1864RP	953-1864RP
14	8	CASING BOLT	3/8NCx1"LG	3/8NCx1"LG
18	5	PIPE PLUG	1/4 NPT	1/4 NPT
26	8	CASING WASHER	3/8"	3/8"
29	1	IMPELLER GASKET	953-830RP	953-759RP
70	1	SUPPORT STAND (OPTIONAL)	953-4062RP	953-4062RP
71	4	WASHER	3/8"	3/8"
72	4	LOCK WASHER	3/8"	3/8"
73	4	BOLT	3/8"NC x 1 1/4"LG	3/8"NC x 1 1/4"LG

AW-738 REV B



ITEM NO.	NO. REQ.	DESCRIPTION	MOTOR FRAME				MODEL NO
			H OR J	K	L	M OR N	
4	1	COVER	953-1645RP	953-1646RP	953-1647RP		1509
4	1	COVER	953-1242RP	953-1243RP	953-1244RP	953-1631RP	2009
4	1	COVER	953-849RP	953-853RP	953-900RP	953-903RP	3009
4	1	COVER	953-850RP	953-854RP	953-901RP	953-904RP	4009
4	1	COVER	953-1131RP	953-1132RP	953-1129RP	953-1130RP	6009
4	1	COVER	953-1755RP	953-1756RP	953-1757RP	953-1758RP	5095
4	1	COVER	953-2193RP	953-1819RP	953-1820RP	953-1821RP	6095
9	1	GASKET (CASING)	SEE PAGE 1	SEE PAGE 1	SEE PAGE 1	SEE PAGE 1	ALL ABOVE
20	4	MOTOR BOLT	3/8NCx1"LG	1/2NCx1-1/4LG	1/2NCx1-1/2LG	5/8NCx1-1/4LG	
27	4	MOTOR WASHER	3/8"	1/2"	1/2"	5/8"	
35	1	TUBE KIT	953-1547RP	953-1547RP	953-1547RP	953-1547RP	

AW-624 REV D



2508, 2510	2508, 2510	2508, 2510	2508, 2510
1506, 2006, 3006		1506, 2006, 3006	
1507, 2007, 3007, 4007, 4075, 5007 5075	2007, 3007, 4007, 4075, 5007 5075	1507, 2007, 3007, 4007, 4075, 5007 5075	2007, 3007, 4007, 4075, 5007 5075
1509, 2009, 3009, 4009, 5095, 6095 6009	1509, 2009, 3009, 4009, 5095, 6095 6009	1509, 2009, 3009, 4009, 5095, 6095 6009	1509, 2009, 3009, 4009, 5095, 6095 6009
2011, 3011, 4011, 6011,	2011, 3011, 4011, 6011, 8011	2011, 3011, 4011, 6011,	2011, 3011, 4011, 6011, 8011
3013, 4013, 6013	3013, 4013, 6013, 8013	3013, 4013, 6013	3013, 4013, 6013, 8013

ITEM NO.	NO. REQ.	DESCRIPTION	MOTOR FRAME		MOTOR FRAME	
			H, J OR K	L,M,N OR R	H, J OR K	L,M,N OR R
			MECHANICAL DES. A OR C (125#)		MECHANICAL DES. B OR D (250#)	
9	1	GASKET (CASING)	SEE PAGE 1	SEE PAGE 1	SEE PAGE 1	SEE PAGE 1
10	1	SLEEVE (SS)	953-1118RP	953-1170RP	953-1892RP	953-1891RP
10	1	SLEEVE (BRZ)	953-1119RP	953-1171RP	953-1861RP	953-1887RP
11	1	SEAL (TYPE B)	951-3157RP	951-3158RP	951-3766RP	951-5158RP
11	1	SEAL (TYPE D)	951-3159RP	951-3160RP	951-3781RP	951-5159RP
11	1	SEAL (TYPE E)	951-3161RP	951-3162RP	951-3782RP	951-5160RP
12	1	SLEEVE GASKET	953-830RP	951-3042RP	953-830RP	951-3042RP
22	1	DEFLECTOR	900-044RP	951-3065RP	900-044RP	951-3065RP
40	1	SEAL KIT (TYPE B) SS	953-1549-1RP	953-1549-4RP	953-1549-7RP	953-1549-10RP
40	1	SEAL KIT (TYPE B) BRZ	953-1549-1BRP	953-1549-4BRP	953-1549-7BRP	953-1549-10BRP
40	1	SEAL KIT (TYPE D) SS	953-1549-2RP	953-1549-5RP	953-1549-8RP	953-1549-11RP
40	1	SEAL KIT (TYPE D) BRZ	953-1549-2BRP	953-1549-5BRP	953-1549-8BRP	953-1549-11BRP
40	1	SEAL KIT (TYPE E) SS	953-1549-3RP	953-1549-6RP	953-1549-9RP	953-1549-12RP
40	1	SEAL KIT (TYPE E) BRZ	953-1549-3BRP	953-1549-6BRP	953-1549-9BRP	953-1549-12BRP

AW-640 REV B

Do it Once. Do it Right.®

TACO, INC., 1160 Cranston Street, Cranston, RI 02920 Telephone: (401) 942-8000 FAX: (401) 942-2360.

TACO (Canada), Ltd., 8450 Lawson Road, Unit #3, Milton, Ontario L9T 0J8. Telephone: 905/564-9422. FAX: 905/564-9436.

Visit our web site at: <http://www.taco-hvac.com>

Printed in USA

Copyright 2009

TACO, Inc.