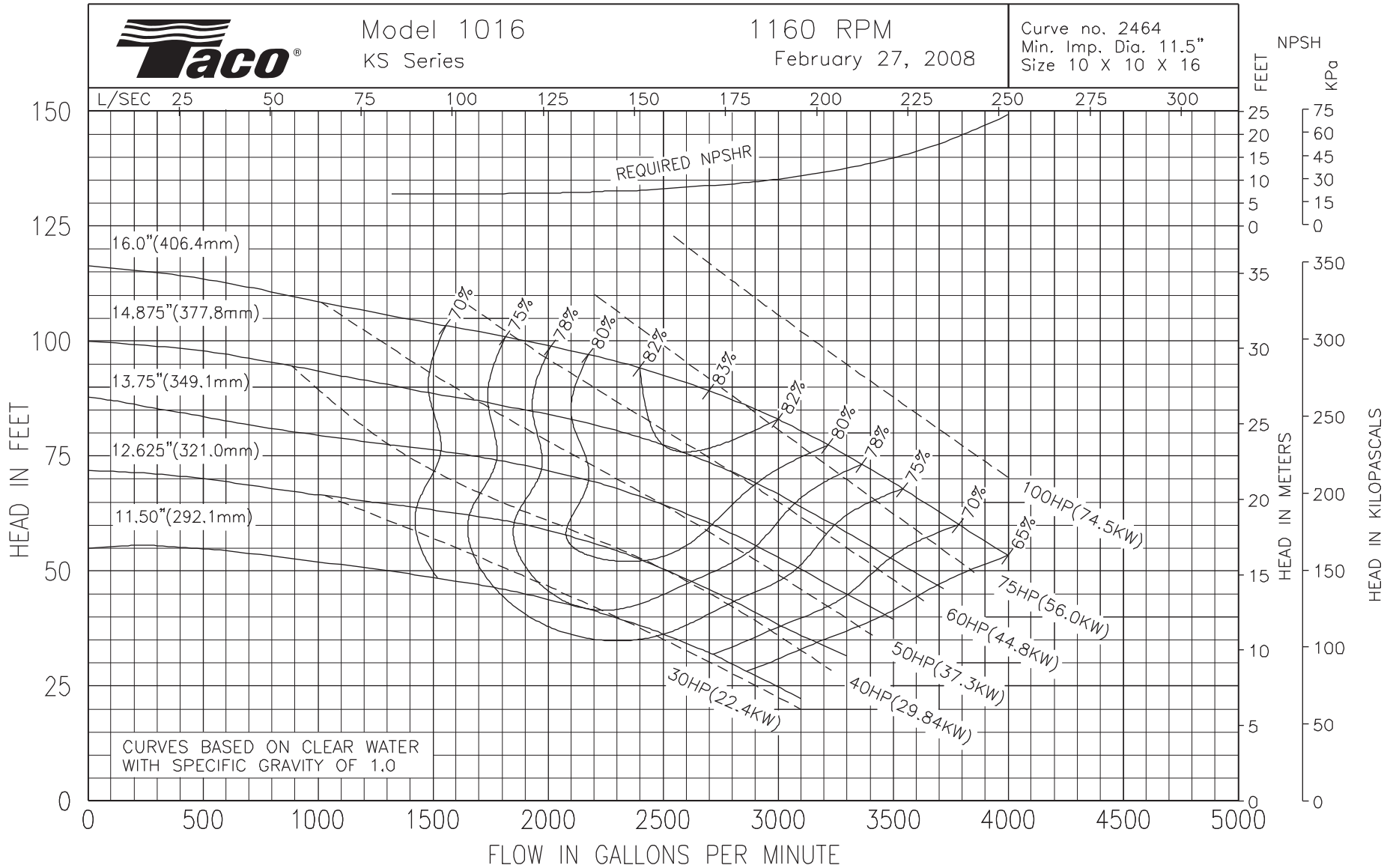




Model 1016  
KS Series

1160 RPM  
February 27, 2008

Curve no. 2464  
Min. Imp. Dia. 11.5"  
Size 10 X 10 X 16

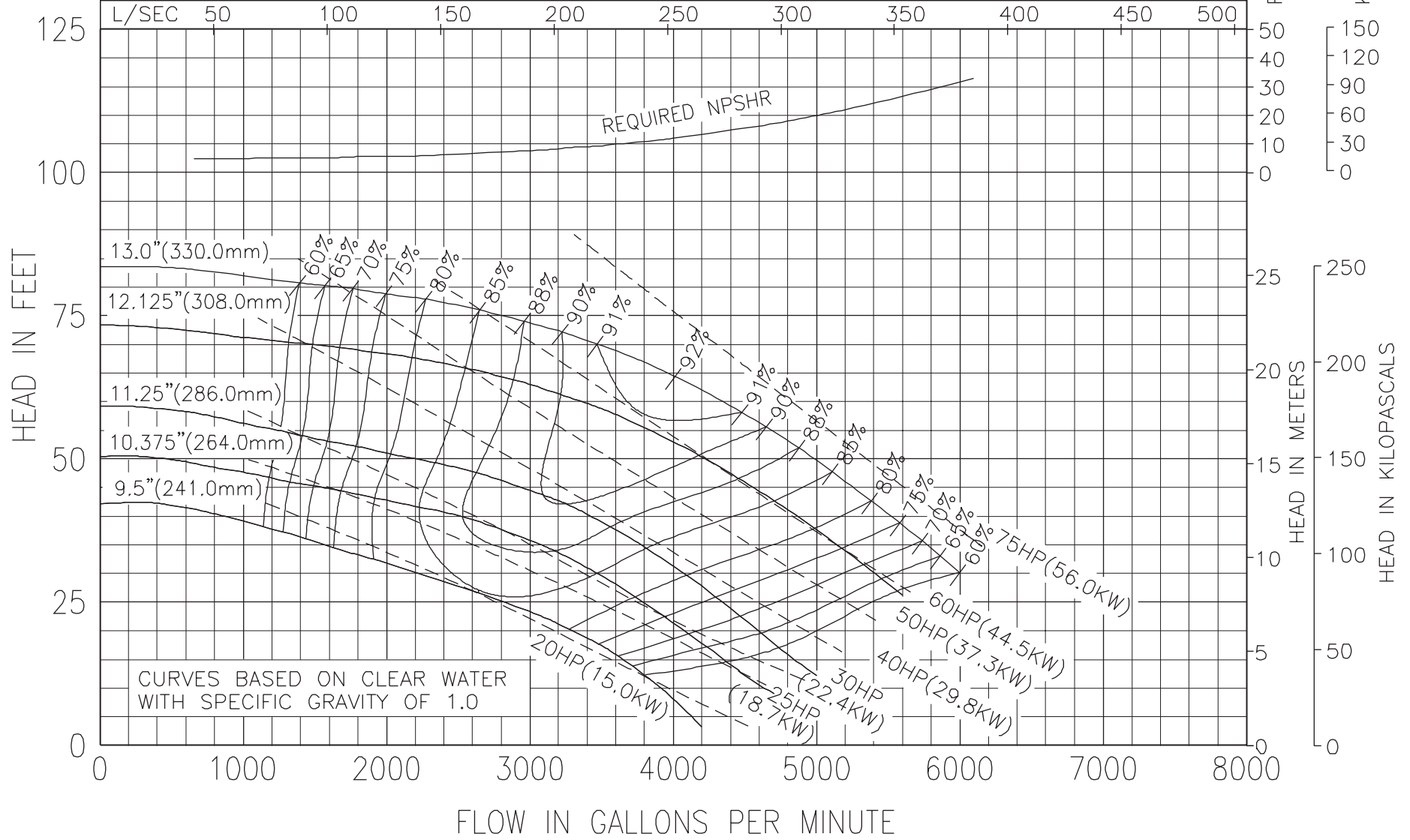




Model 1213B  
KS Series

1160 RPM  
AUGUST 6, 2007

Curve no. 2435  
Min. Imp. Dia. 9.5"  
Size 12 X 12 X 13

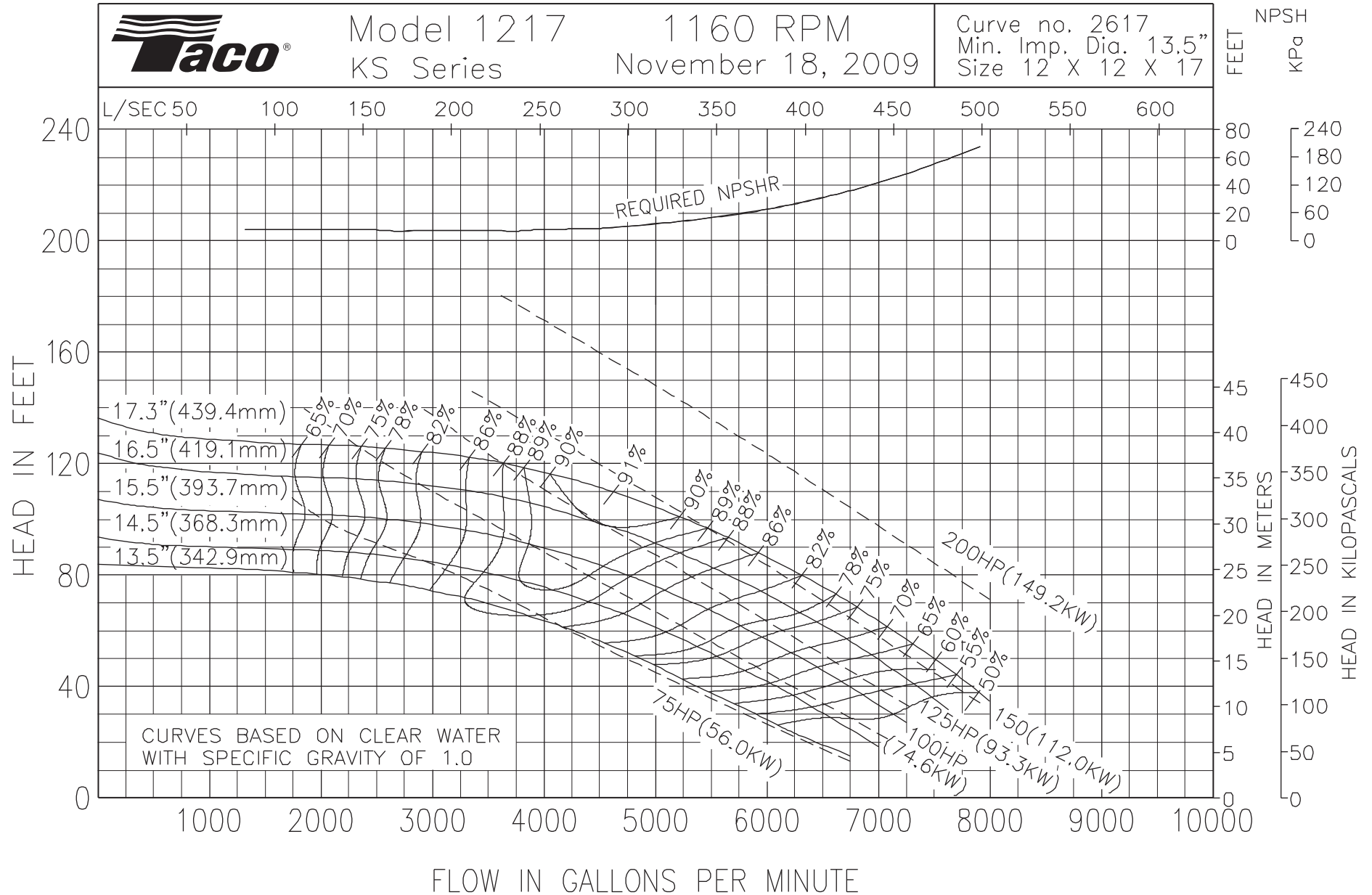




Model 1217  
KS Series

1160 RPM  
November 18, 2009

Curve no. 2617  
Min. Imp. Dia. 13.5"  
Size 12 X 12 X 17

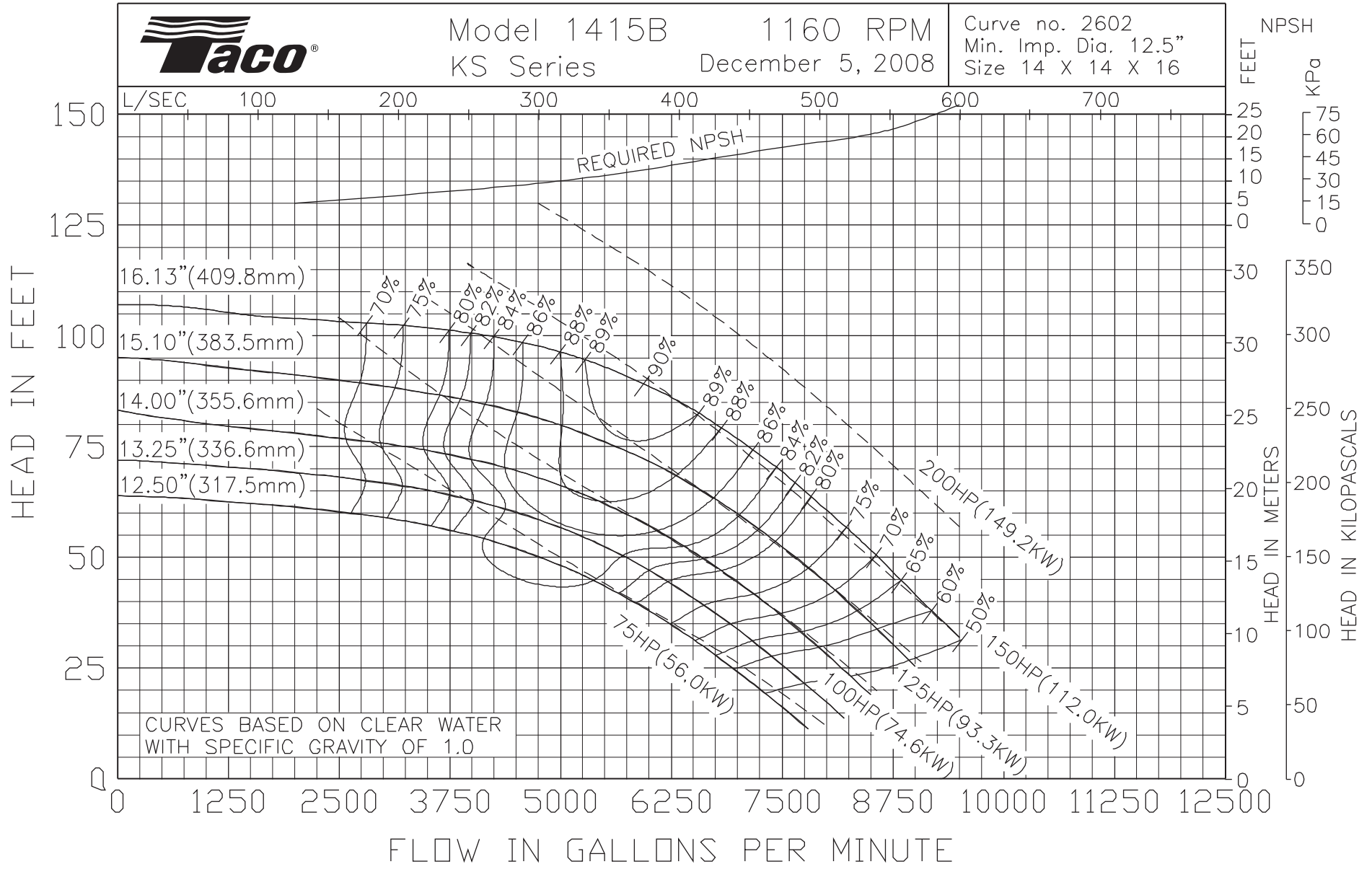




Model 1415B  
KS Series

1160 RPM  
December 5, 2008

Curve no. 2602  
Min. Imp. Dia. 12.5"  
Size 14 X 14 X 16

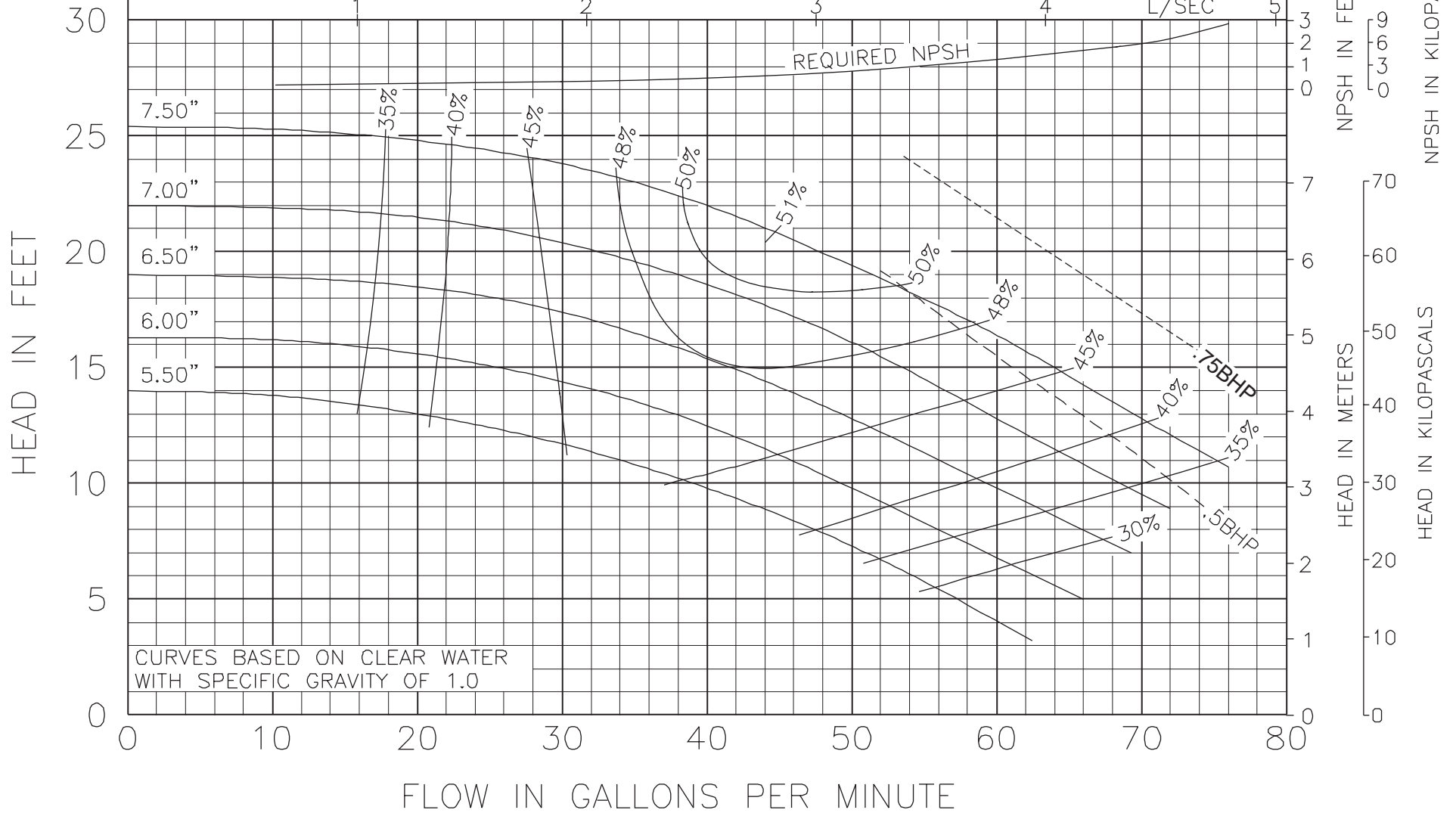




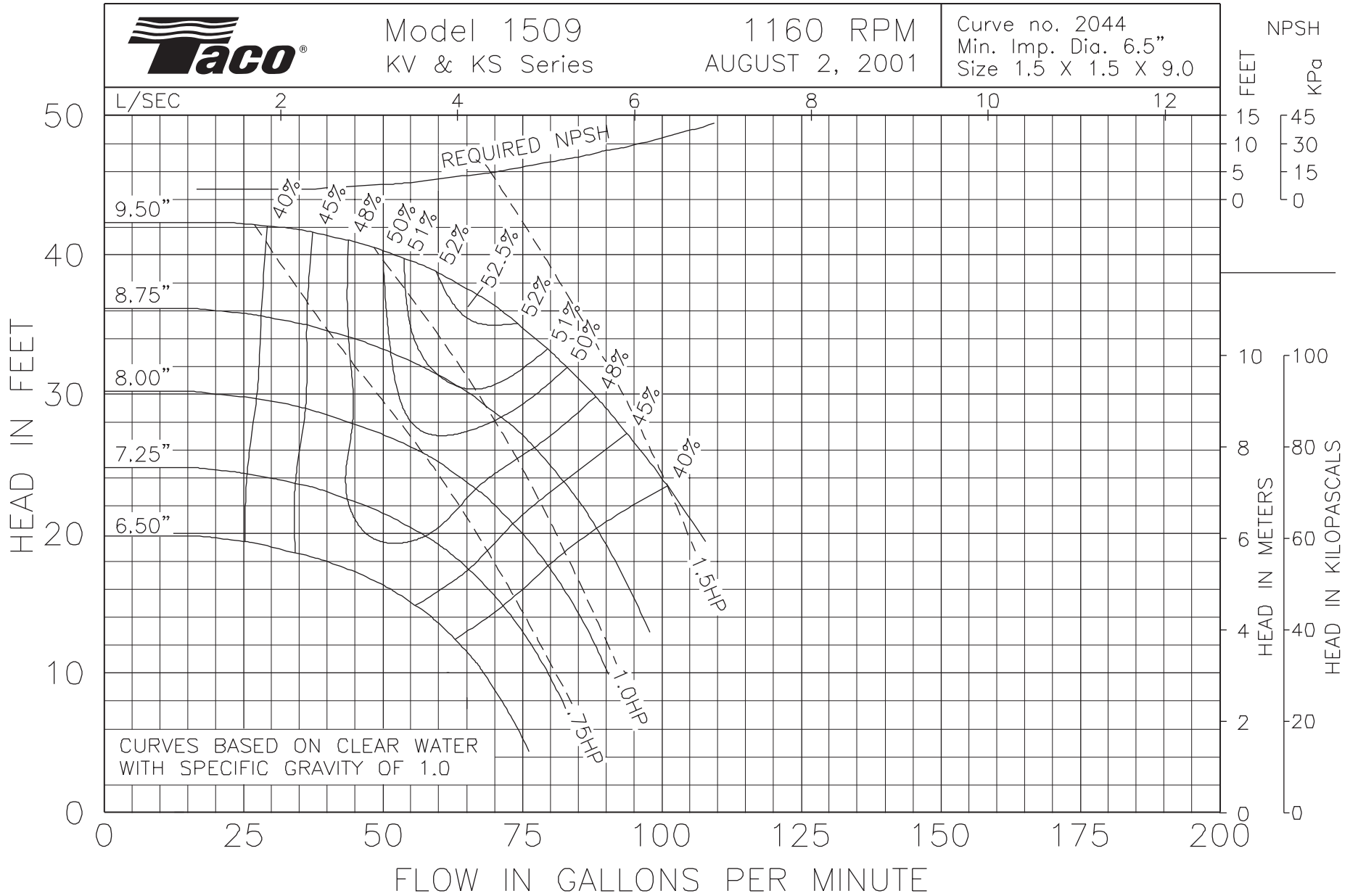
Model 1507  
KV & KS Series

1160 RPM  
October 23, 2000

Curve no. 1975  
Min. Imp. Dia. 5.50  
Size 1 1/2 x 1 1/2 x 7



CURVES BASED ON CLEAR WATER  
WITH SPECIFIC GRAVITY OF 1.0

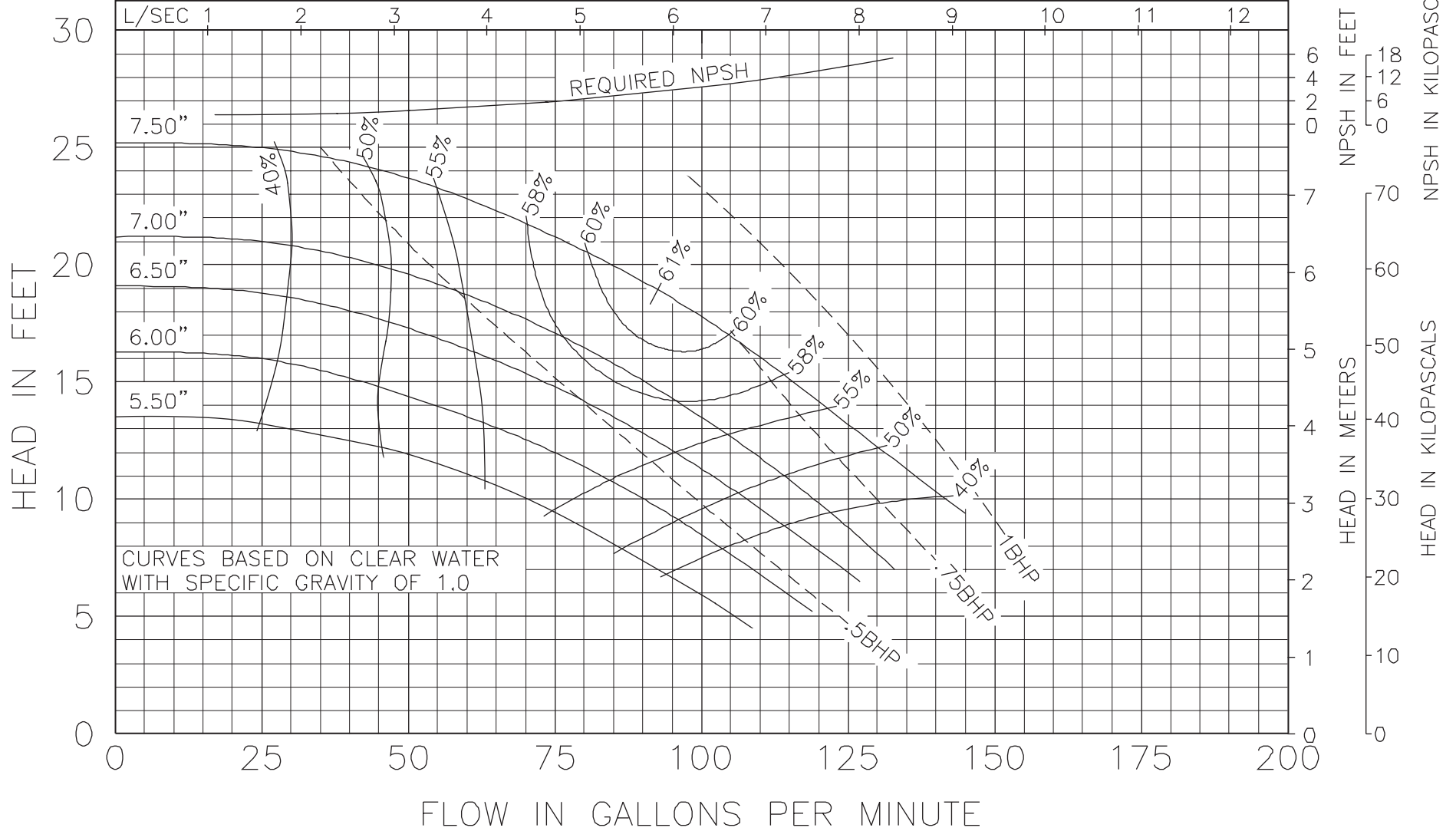




Model 2007  
KV & KS Series

1160 RPM  
August 31, 2006

Curve no. 1979  
Min. Imp. Dia. 5.50  
Size 2 x 2 x 7



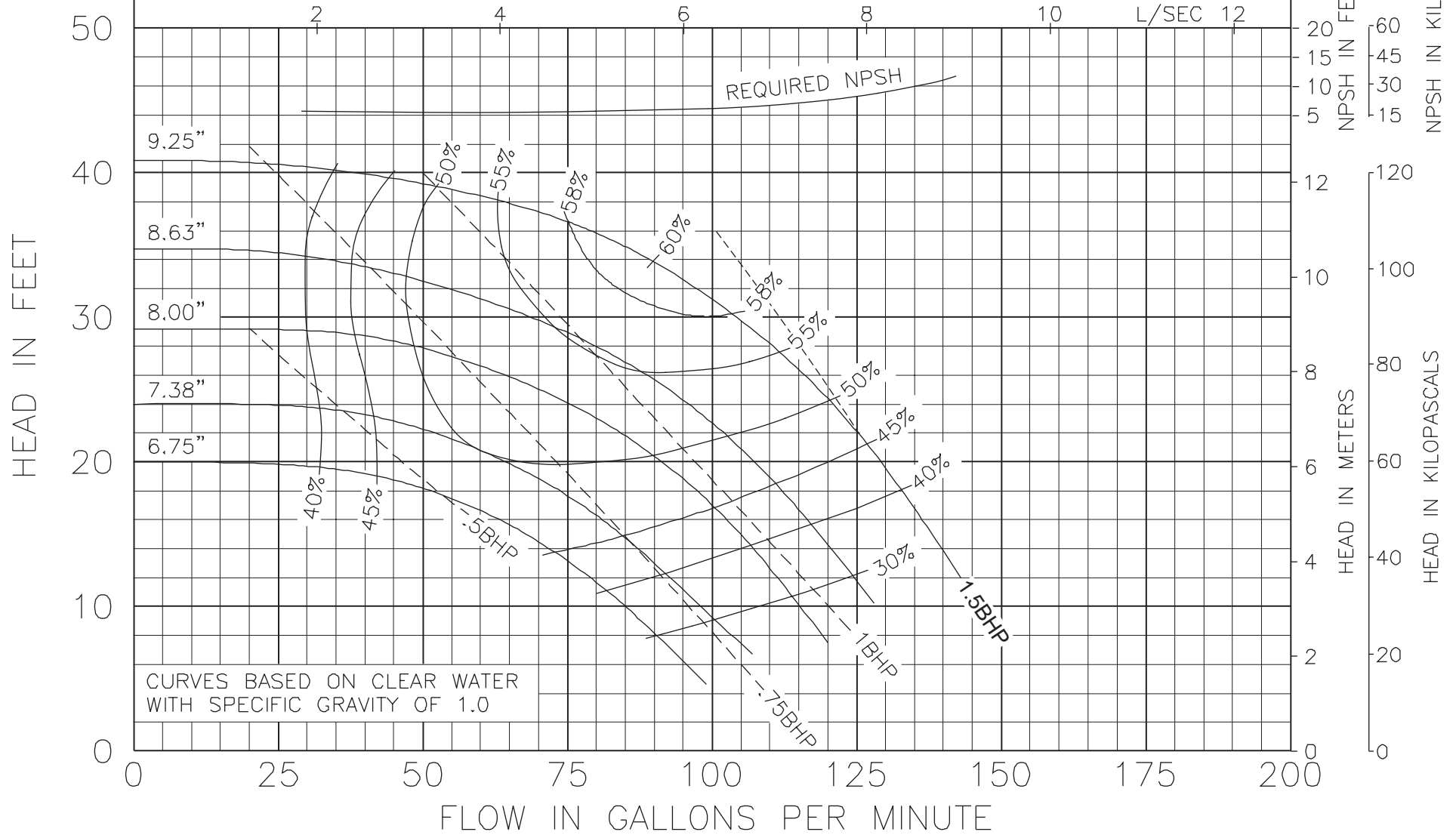




Model 2009  
KV & KS Series

1160 RPM  
October 23, 2000

Curve no. 1957  
Min. Imp. Dia. 6.75  
Size 2 x 2 x 9



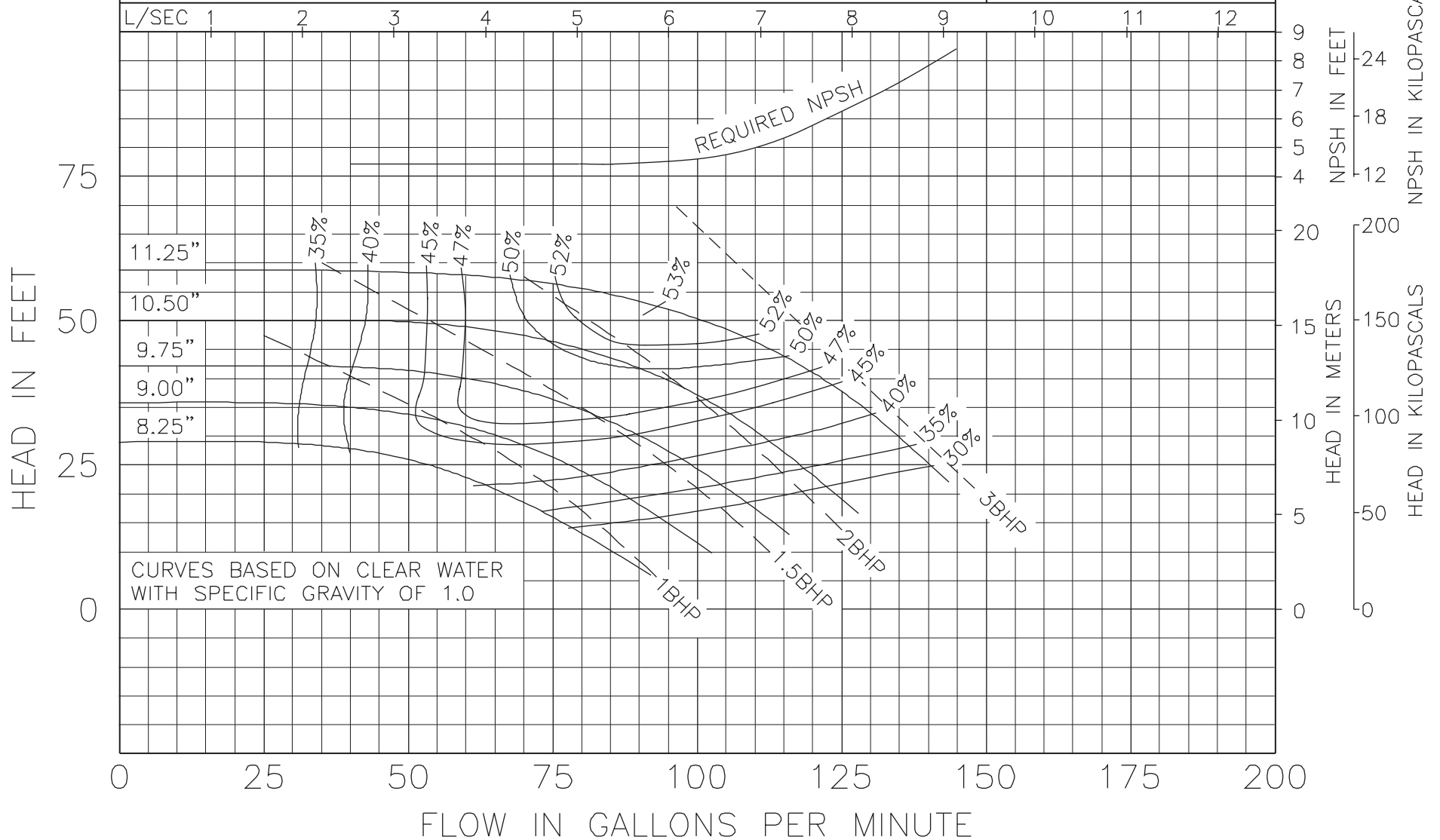
CURVES BASED ON CLEAR WATER  
WITH SPECIFIC GRAVITY OF 1.0



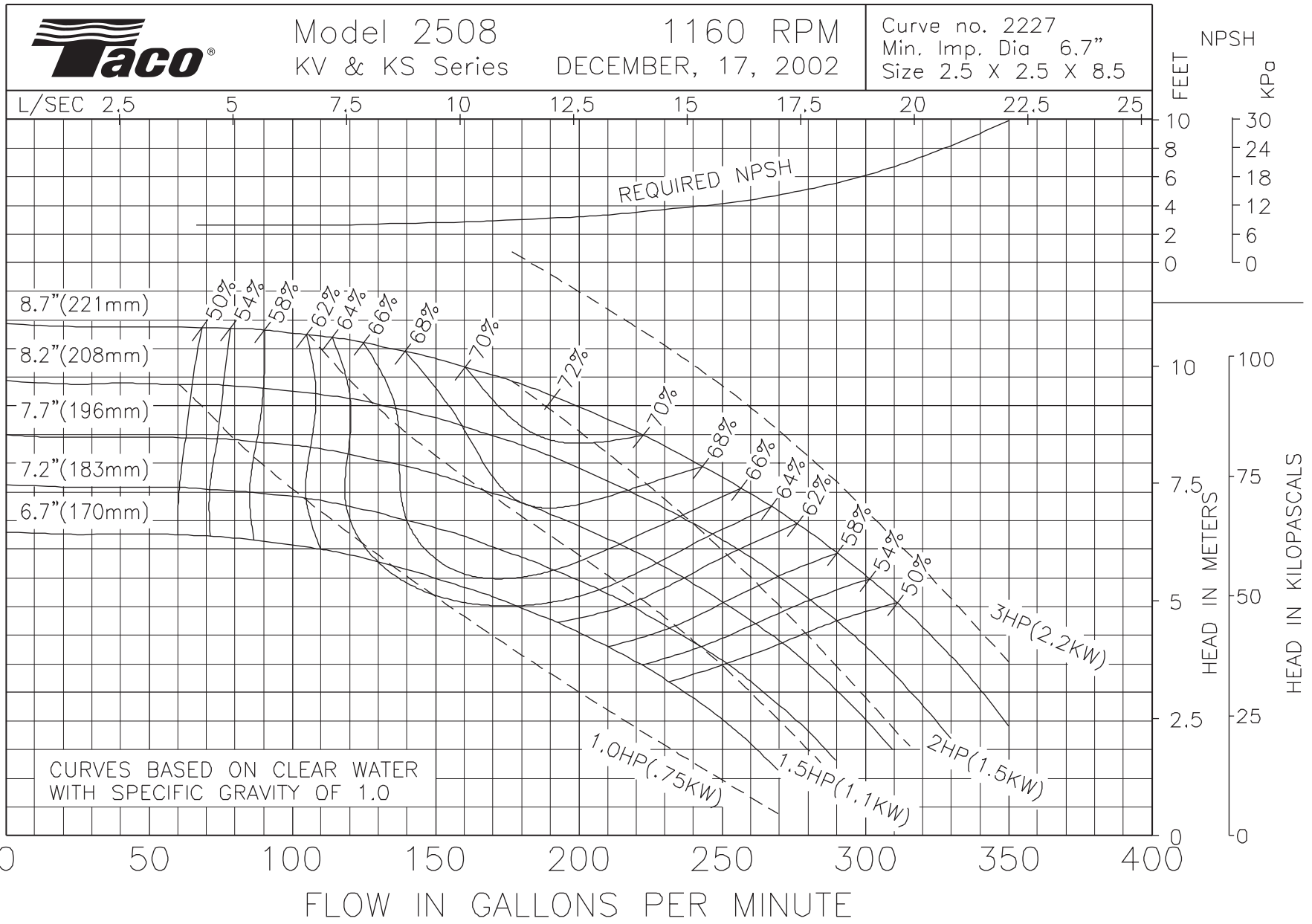
Model 2011  
KV & KS Series

1160 RPM  
August 31, 2006

Curve no. 1927  
Min. Imp. Dia. 8.25  
Size 2 x 2 x 11



CURVES BASED ON CLEAR WATER  
WITH SPECIFIC GRAVITY OF 1.0

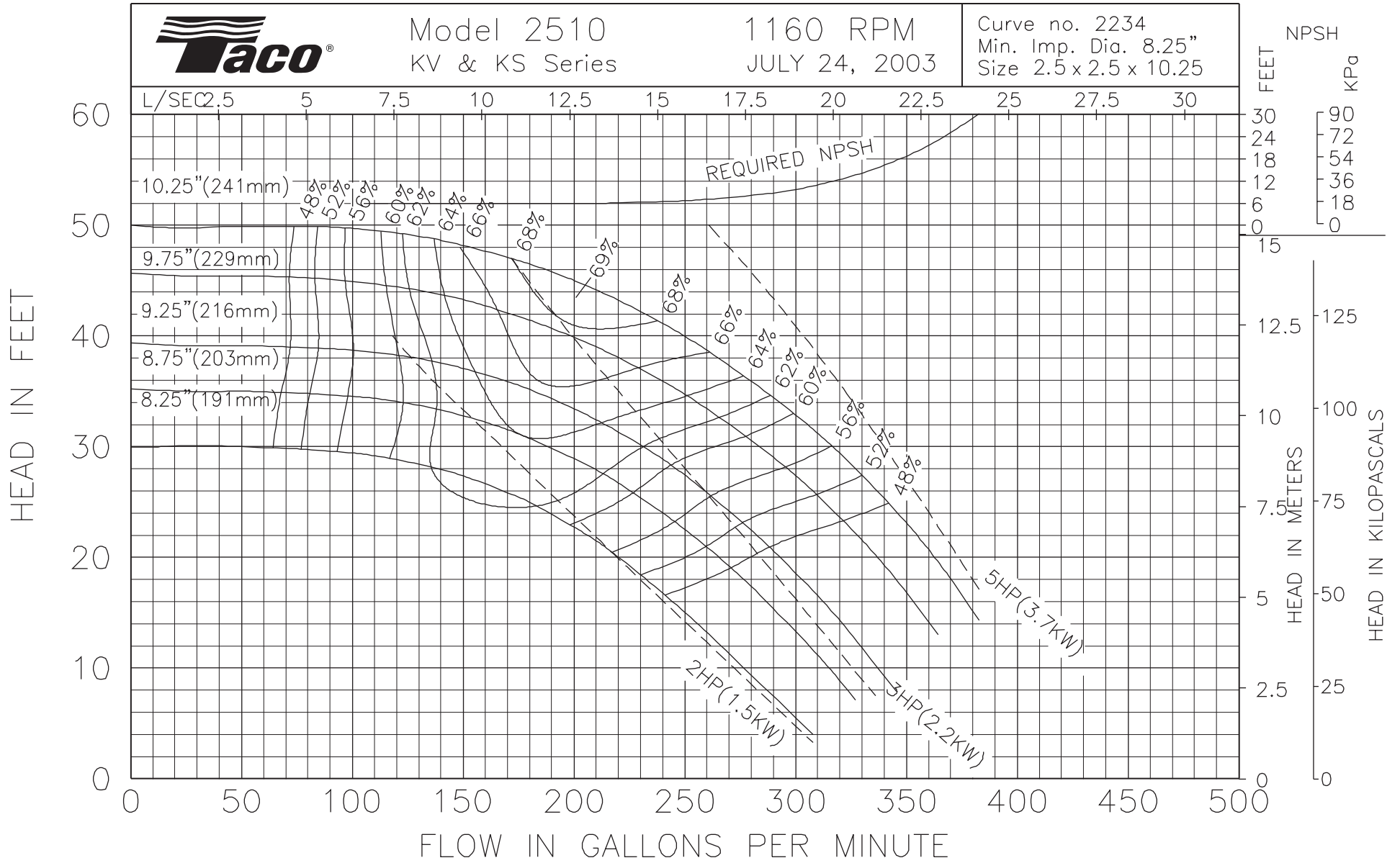


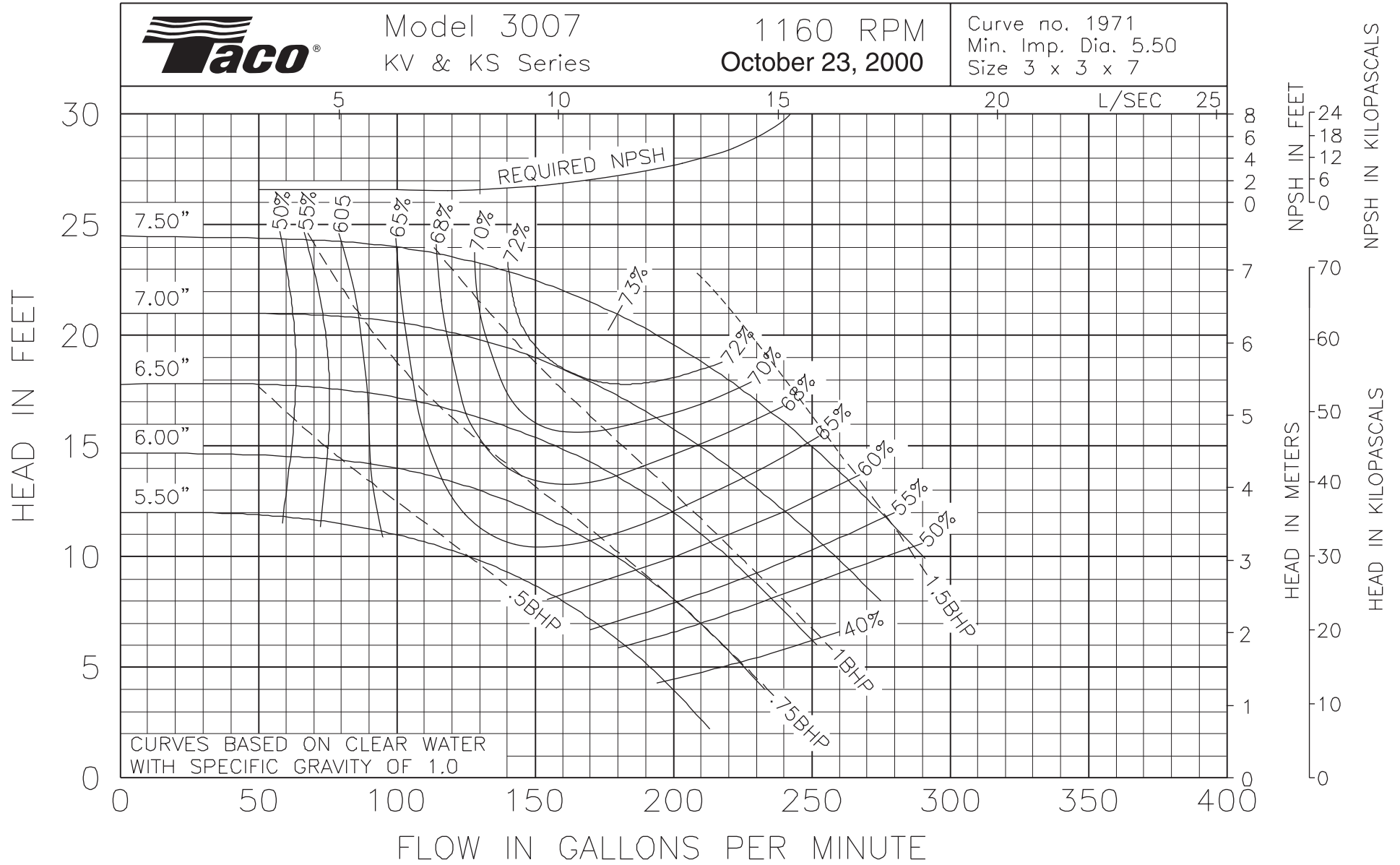


Model 2510  
KV & KS Series

1160 RPM  
JULY 24, 2003

Curve no. 2234  
Min. Imp. Dia. 8.25"  
Size 2.5 x 2.5 x 10.25



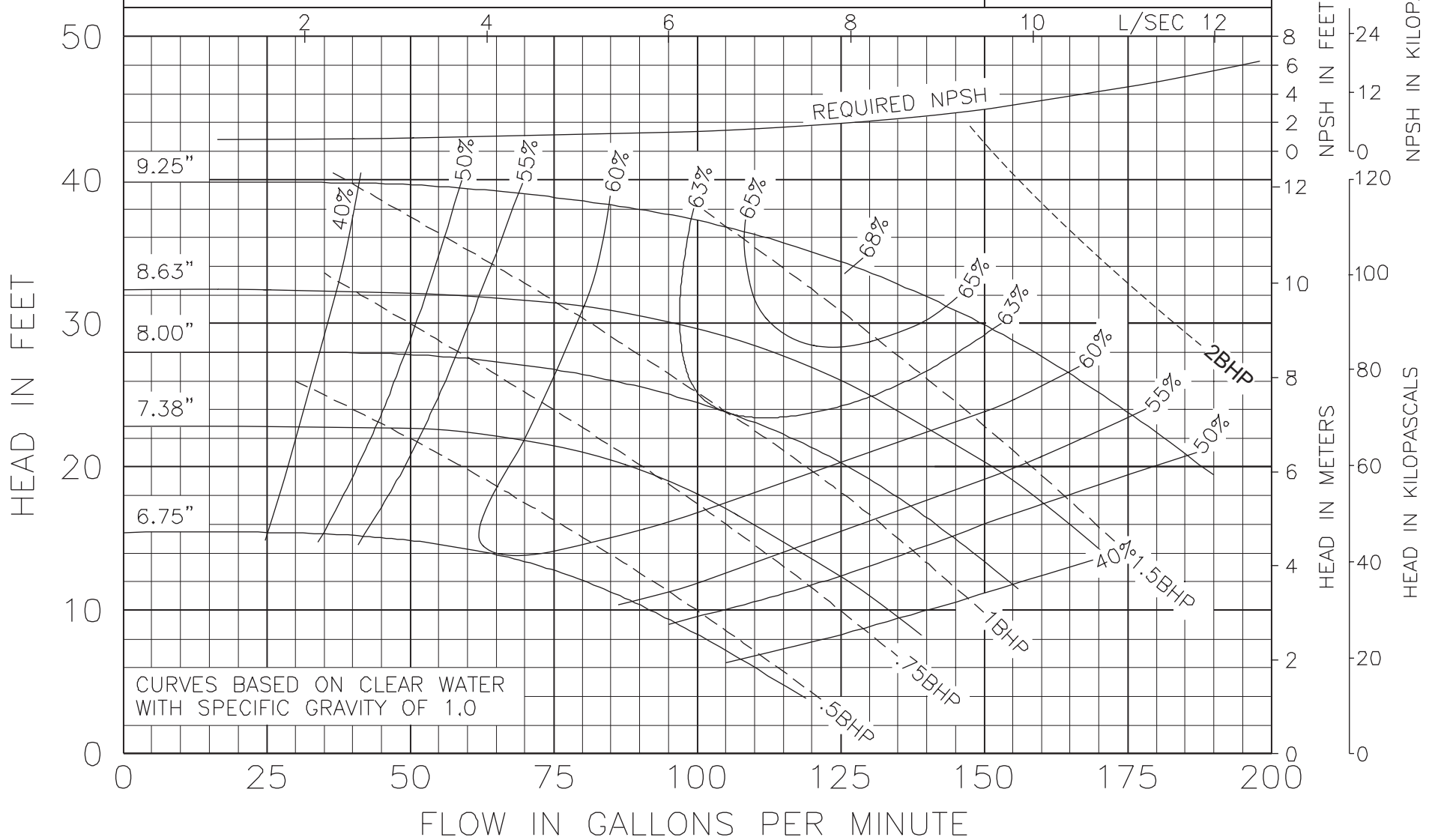


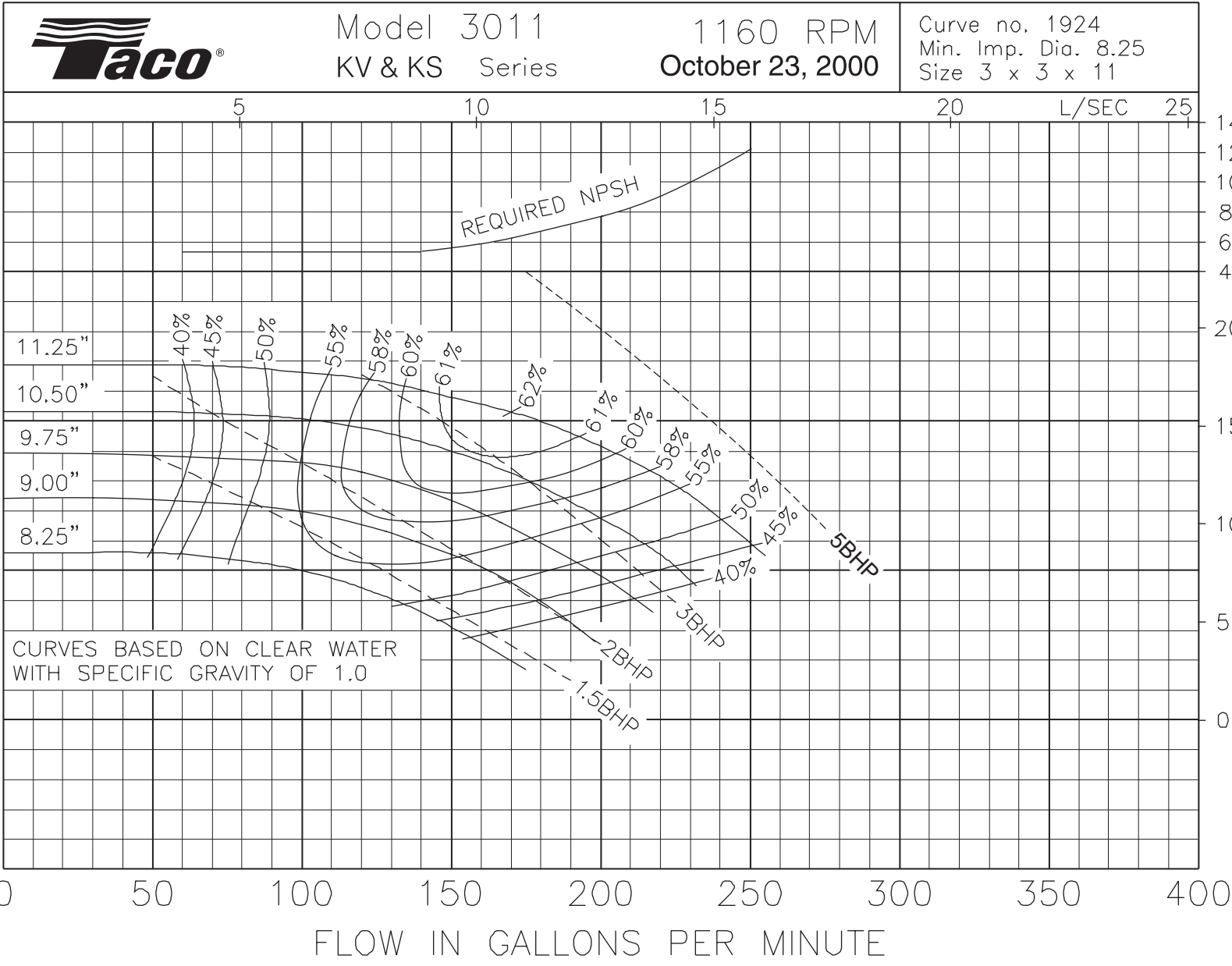


Model 3009  
KV & KS Series

1160 RPM  
October 23, 2000

Curve no. 1964  
Min. Imp. Dia. 6.75  
Size 3 x 3 x 9



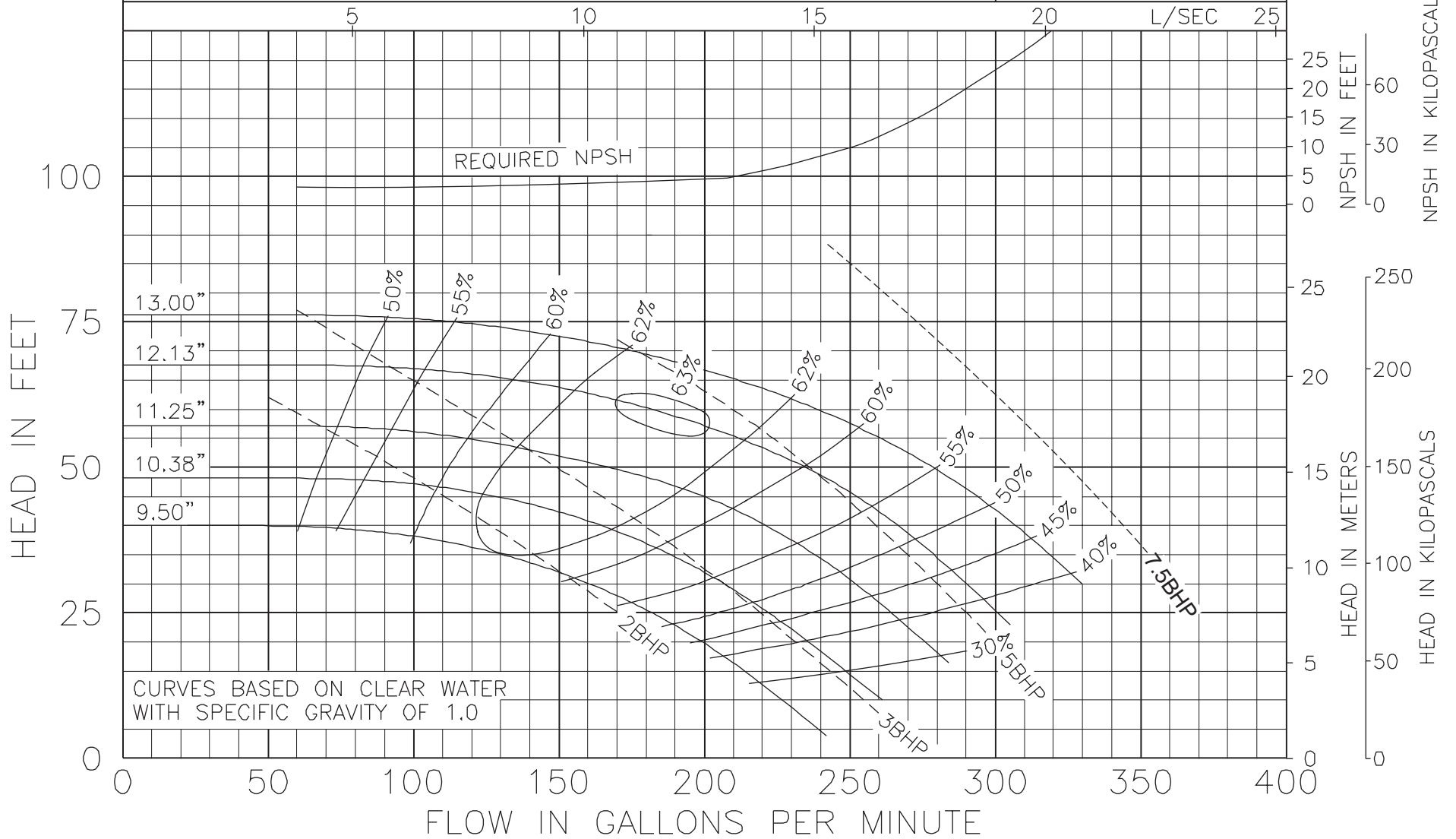




Model 3013  
KV & KS Series

1160 RPM  
October 23, 2000

Curve no. 1912  
Min. Imp. Dia. 9.50  
Size 3 x 3 x 13



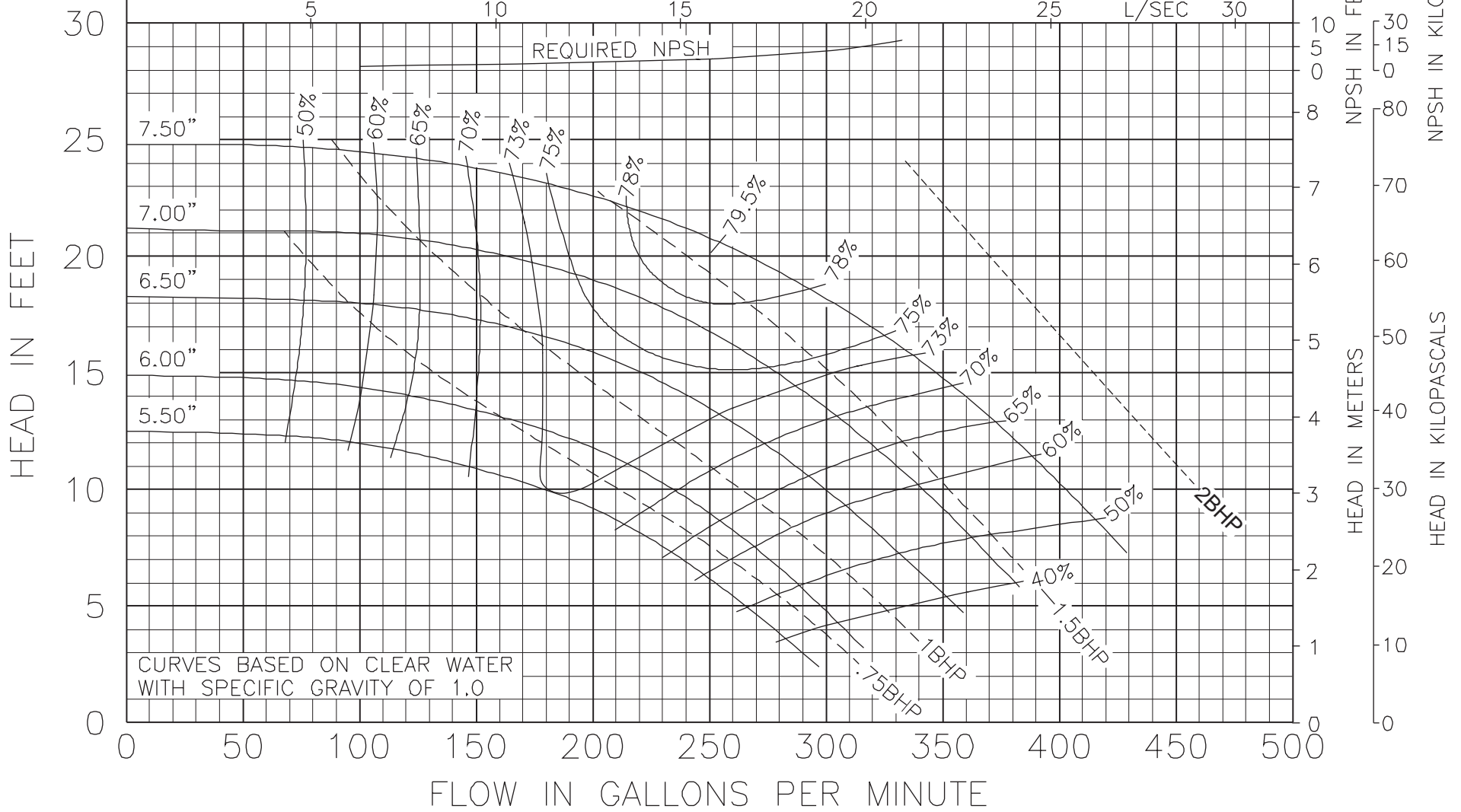




Model 4007  
KV & KS Series

1160 RPM  
October 23, 2000

Curve no. 1945  
Min. Imp. Dia. 5.50"  
Size 4 x 4 x 7

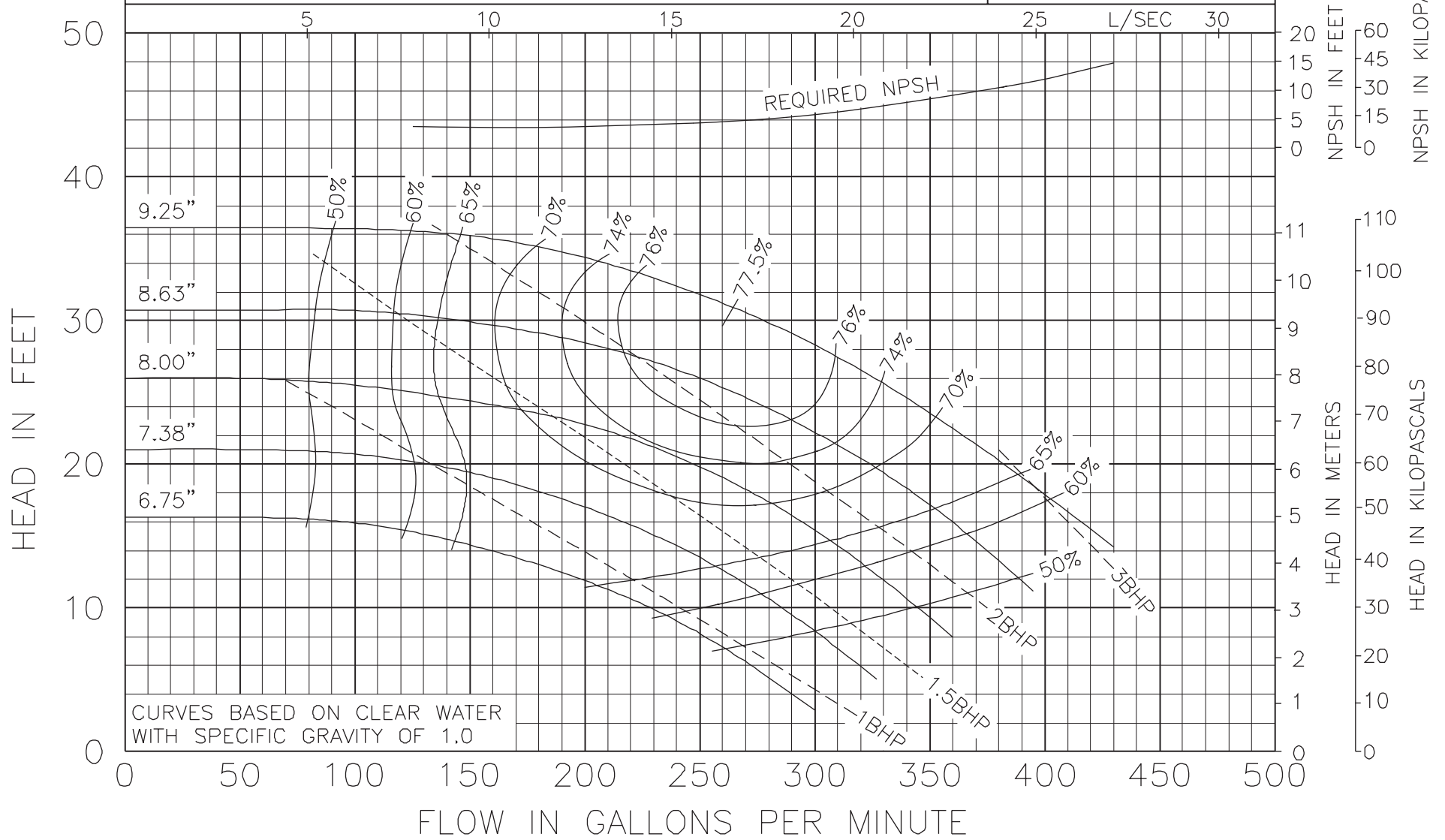


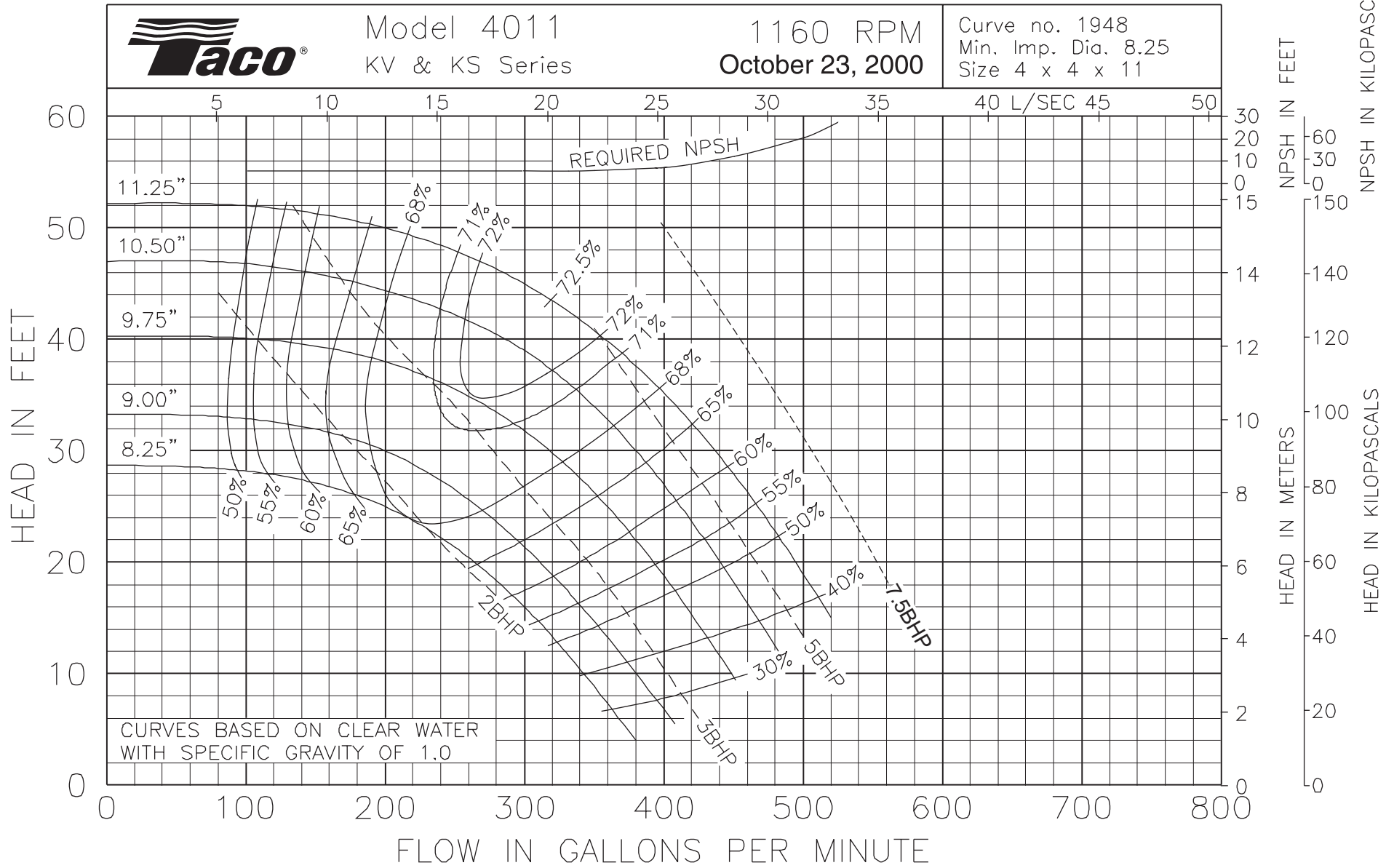


Model 4009  
KV & KS Series

1160 RPM  
October 23, 2000

Curve no. 1983  
Min. Imp. Dia. 6.75  
Size 4 x 4 x 9



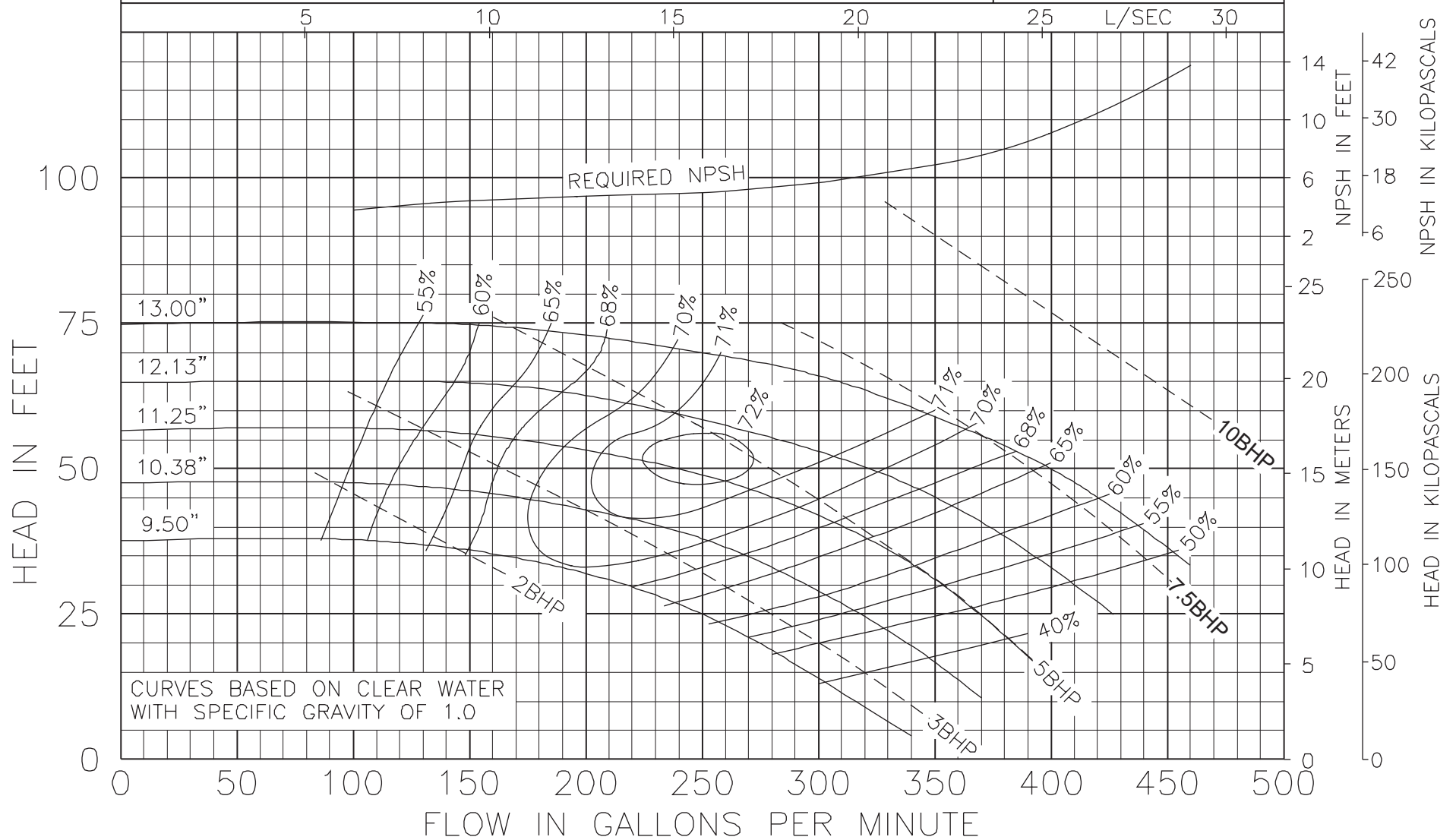




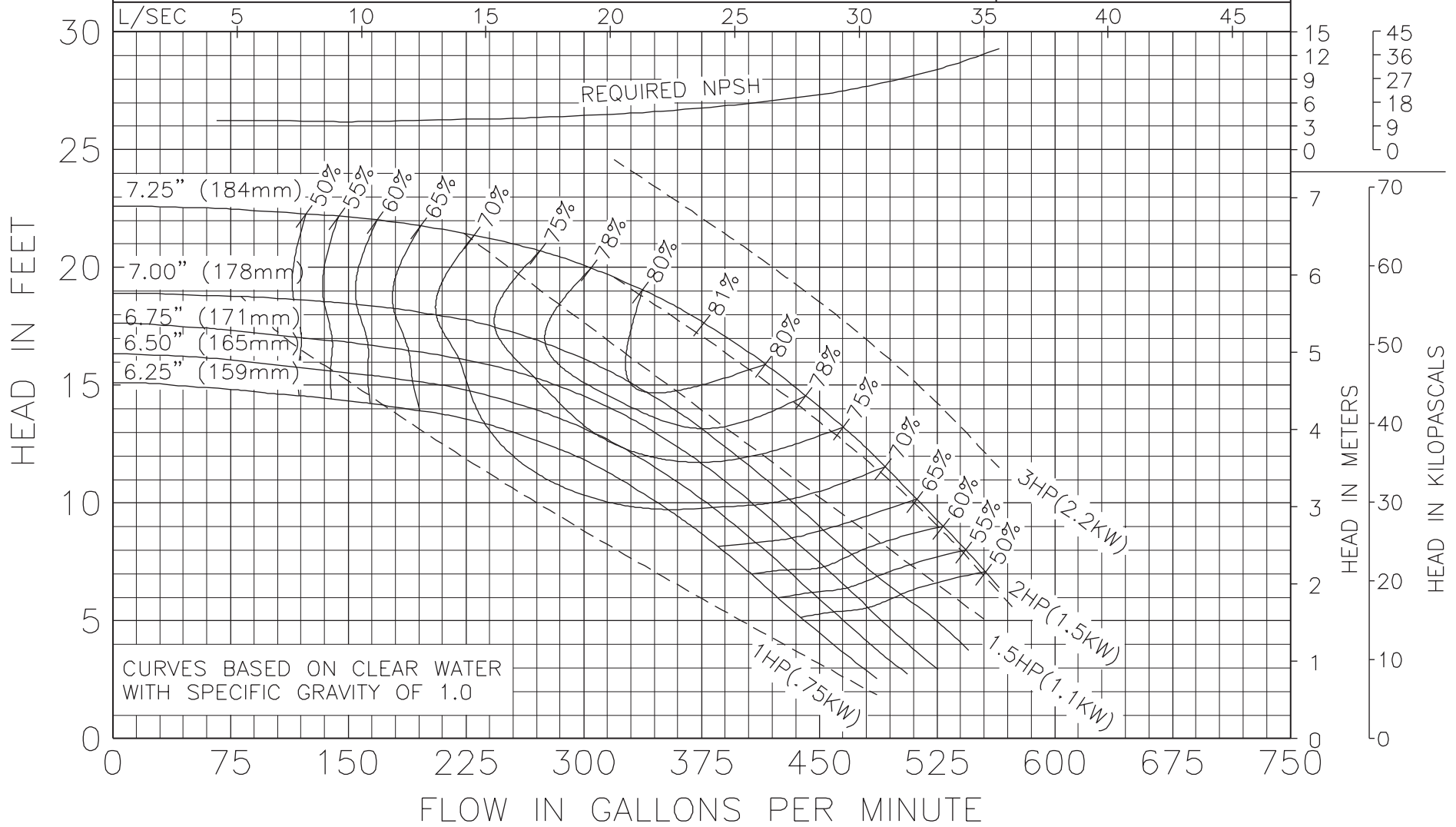
Model 4013  
KV & KS Series

1160 RPM  
October 23, 2000

Curve no. 1915  
Min. Imp. Dia. 9.50  
Size 4 x 4 x 13



	Model 4075 KV & KS Series	1160 RPM JANUARY 09, 2003	Curve no. 2240 Min. Imp. Dia. 6.25" Size 4 x 4 x 7.0
---	------------------------------	------------------------------	--

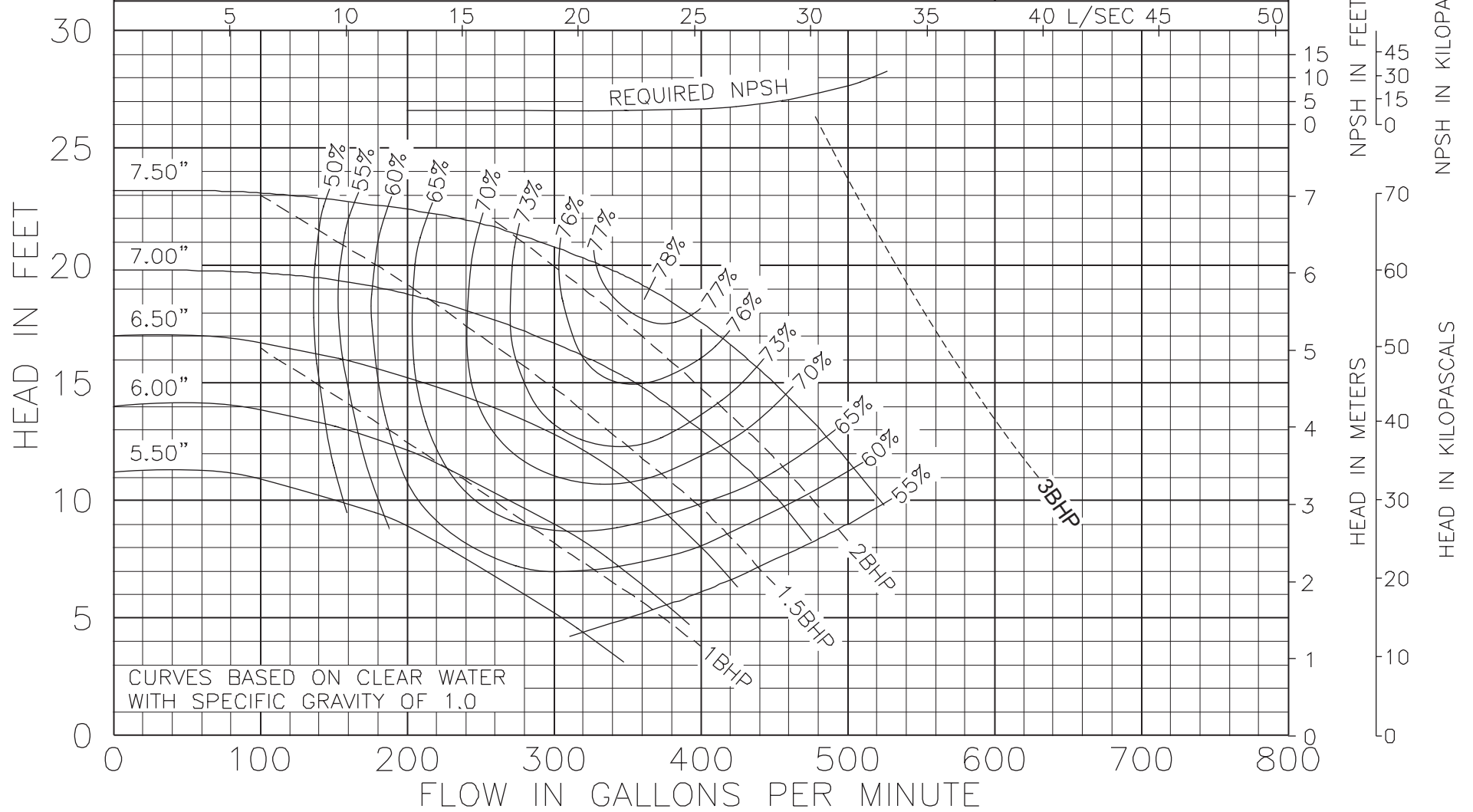


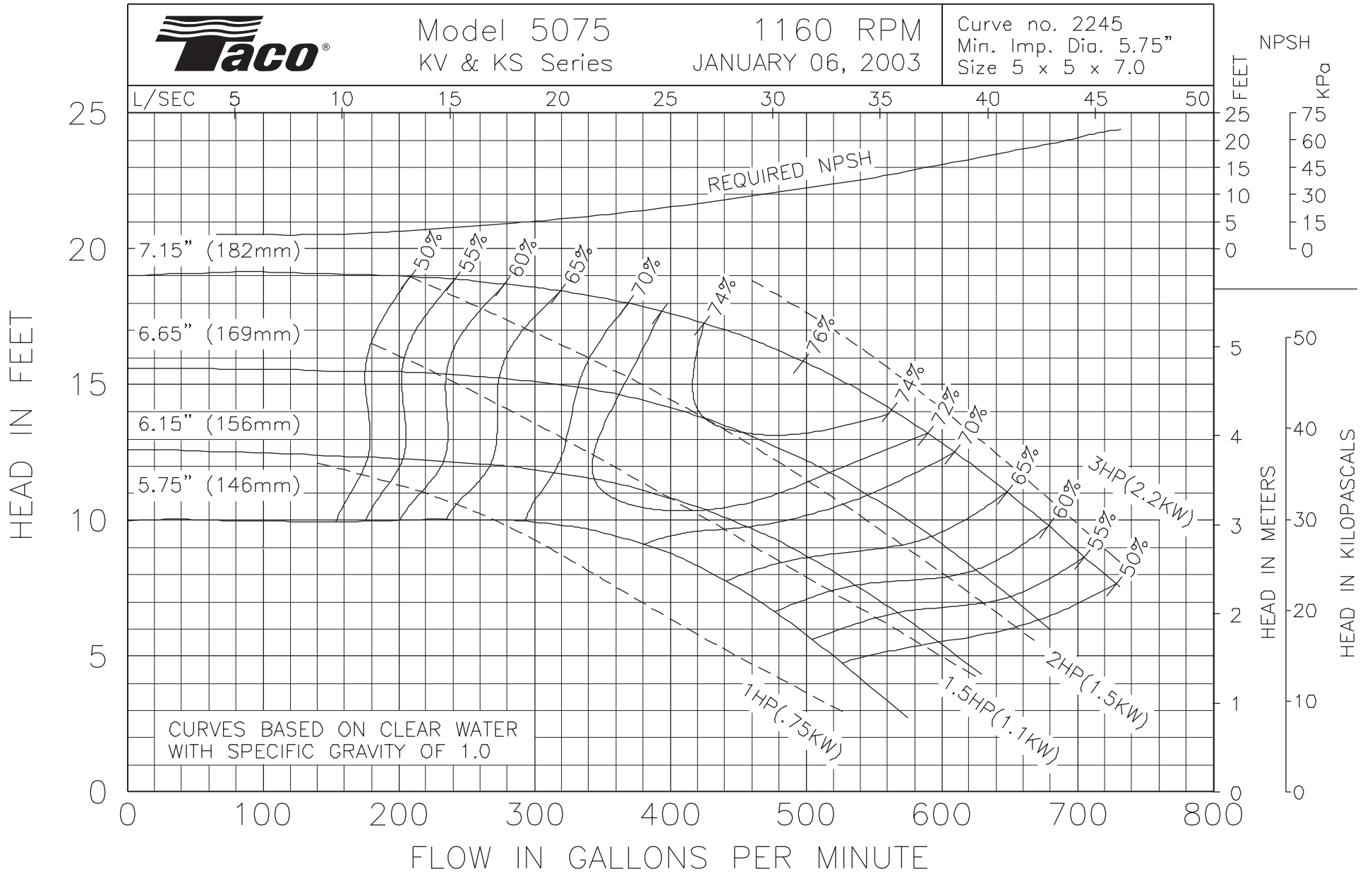


Model 5007  
KV & KS Series

1160 RPM  
October 23, 2000

Curve no. 1952  
Min. Imp. Dia. 5.50  
Size 5 x 5 x 7

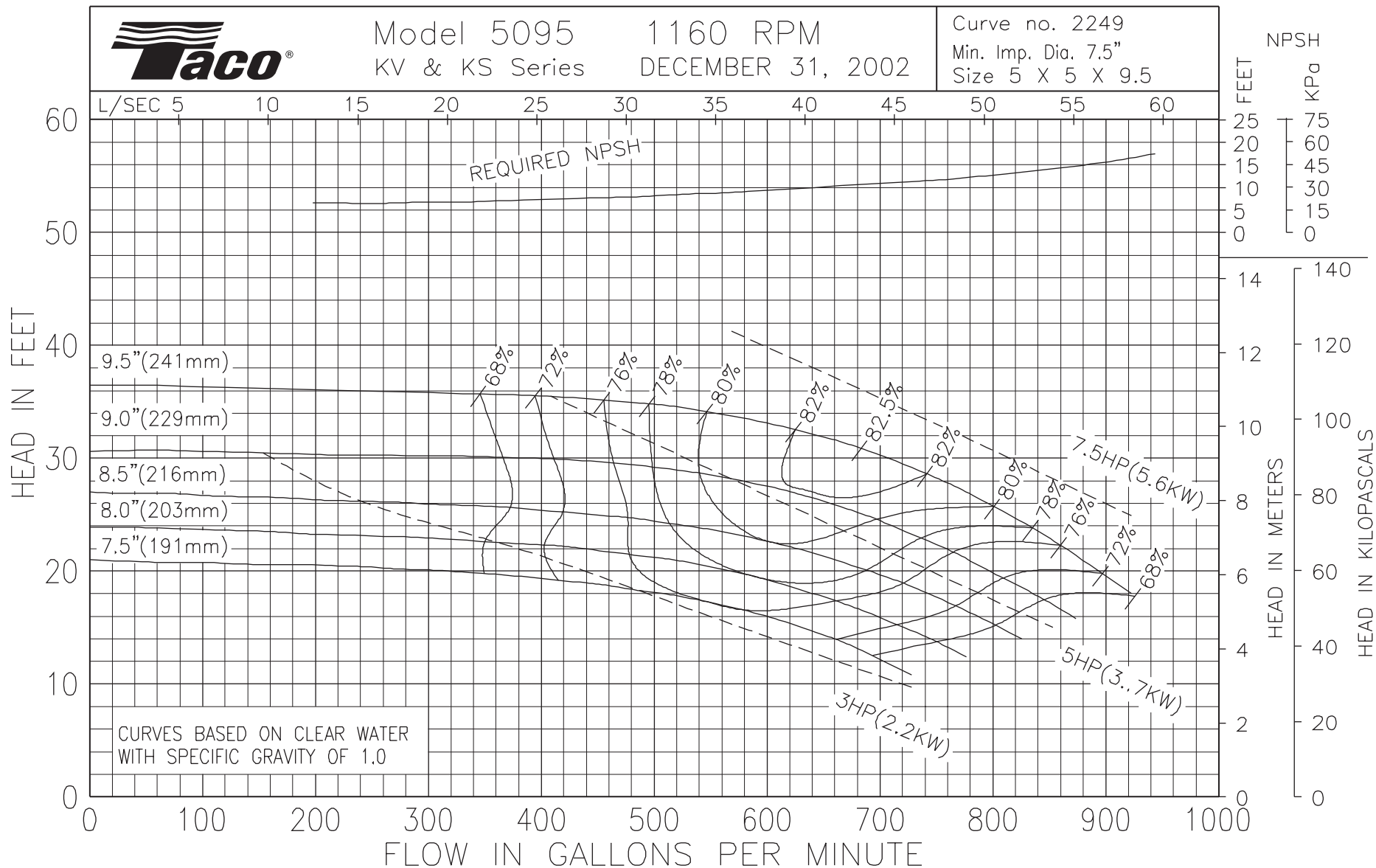






Model 5095 1160 RPM  
KV & KS Series DECEMBER 31, 2002

Curve no. 2249  
Min. Imp. Dia. 7.5"  
Size 5 X 5 X 9.5



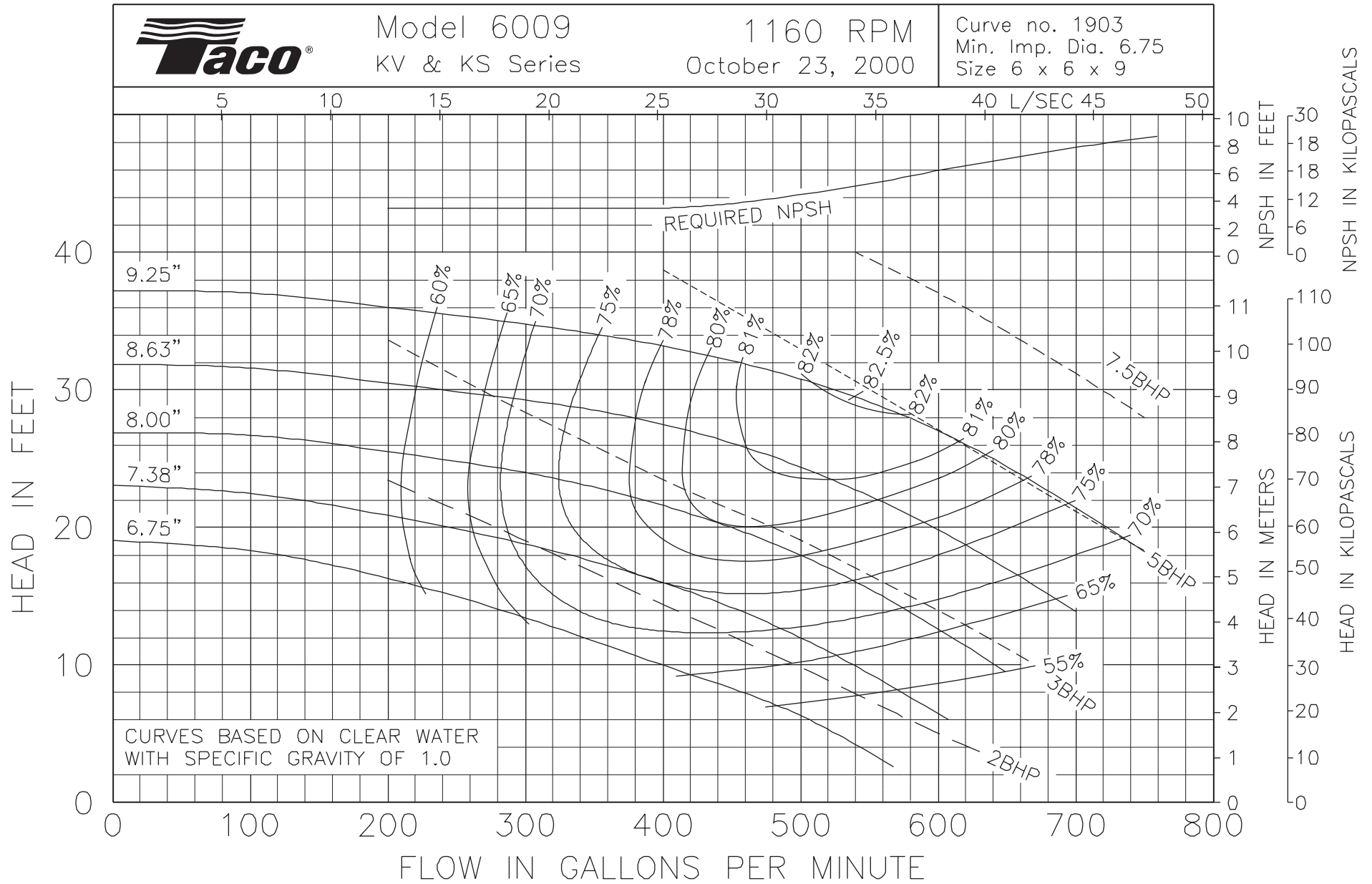




Model 6009  
KV & KS Series

1160 RPM  
October 23, 2000

Curve no. 1903  
Min. Imp. Dia. 6.75  
Size 6 x 6 x 9

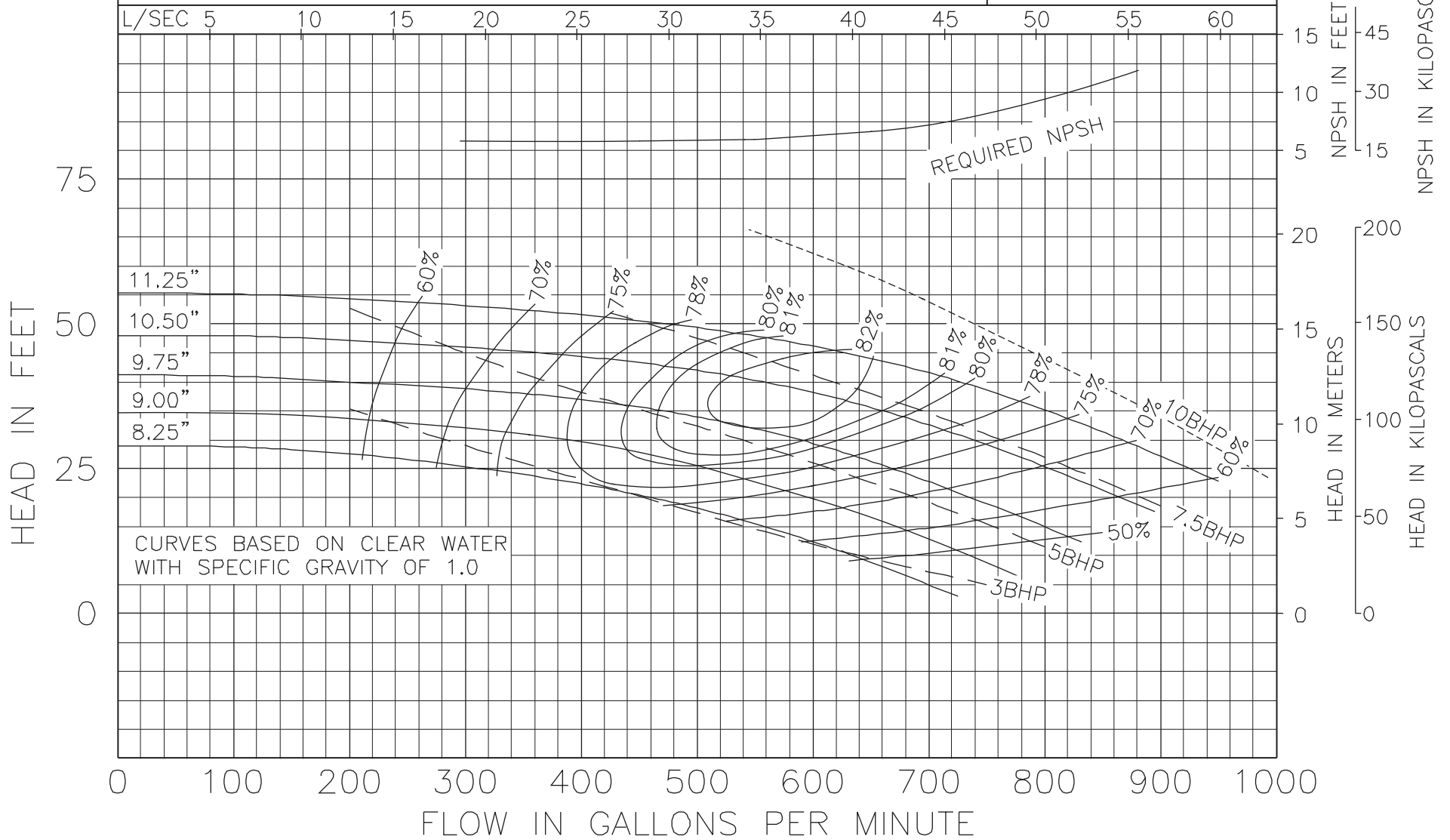




Model 6011  
KV & KS Series

1160 RPM  
August 31, 2006

Curve no. 1906  
Imp. Dia. 8.25  
Size 6 x 6 x 11

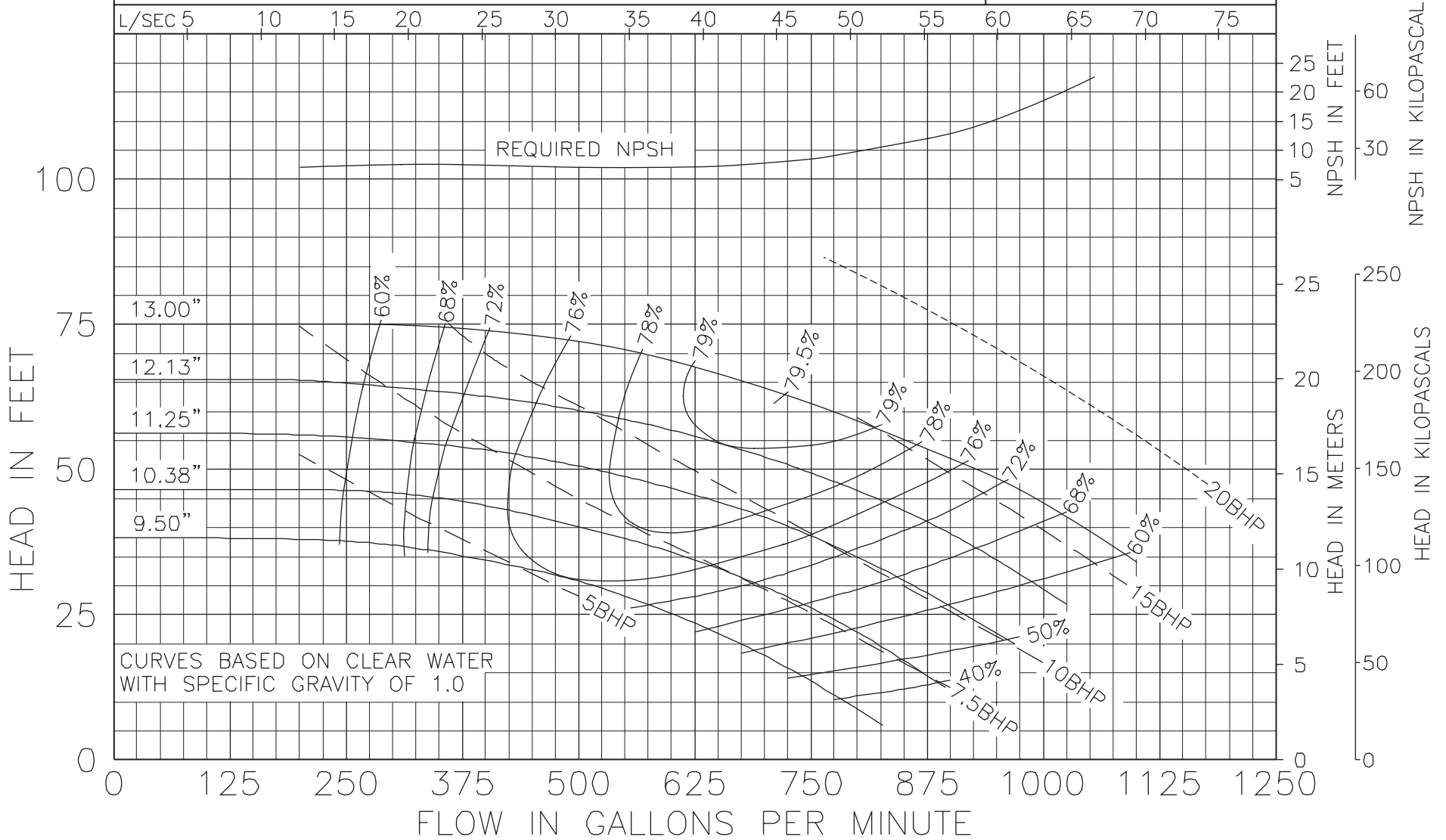




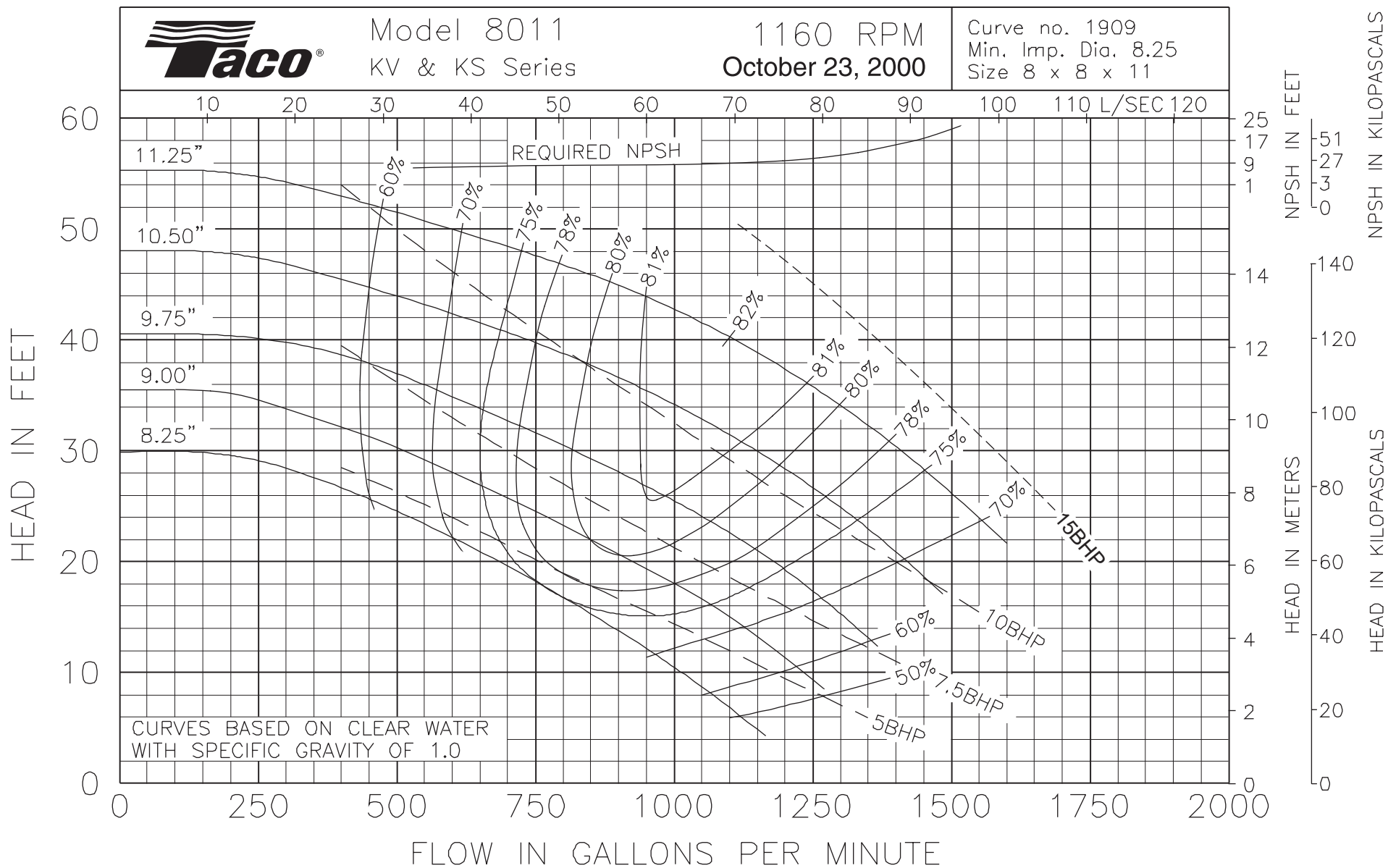
Model 6013  
KV & KS Series

1160 RPM  
August 31, 2006

Curve no. 1918  
Imp. Dia. 9.50  
Size 6 x 6 x 13



CURVES BASED ON CLEAR WATER  
WITH SPECIFIC GRAVITY OF 1.0





Model 8013  
KV & KS Series

1160 RPM  
October 23, 2000

Curve no. 1921  
Min. Imp. Dia. 9.50"  
Size 8 x 8 x 13

