

REPLACEMENT PARTS			
ITEM NO.	PART NO.	DESCRIPTION	QTY.
1	928048	Square nitrile seal ring (7.356 ID)	1
2	14940131	Kit, cutters, rotating/stationary	1
3	120476	Retaining plate, cutter	1
4	14940256	Screw, washer, hex head, 3/8-16 x 1-1/2", stainless	3
5	903740	Screw, washer, hex head, 5/16-18 x 1/2", stainless	3
6	520859	Kit, Run/Start capacitor/relay	1

Table 3

REPLACEMENT PARTS			
ITEM NO.	PART NO.	DESCRIPTION	QTY.
5	599078	Screw, washer, hex head, 5/16-18 x 1/2", stainless	3
7		Leg, accessory	3
8		Washer, lock, 5/16", stainless	3

Table 4
LEG KIT (GLK) #599078

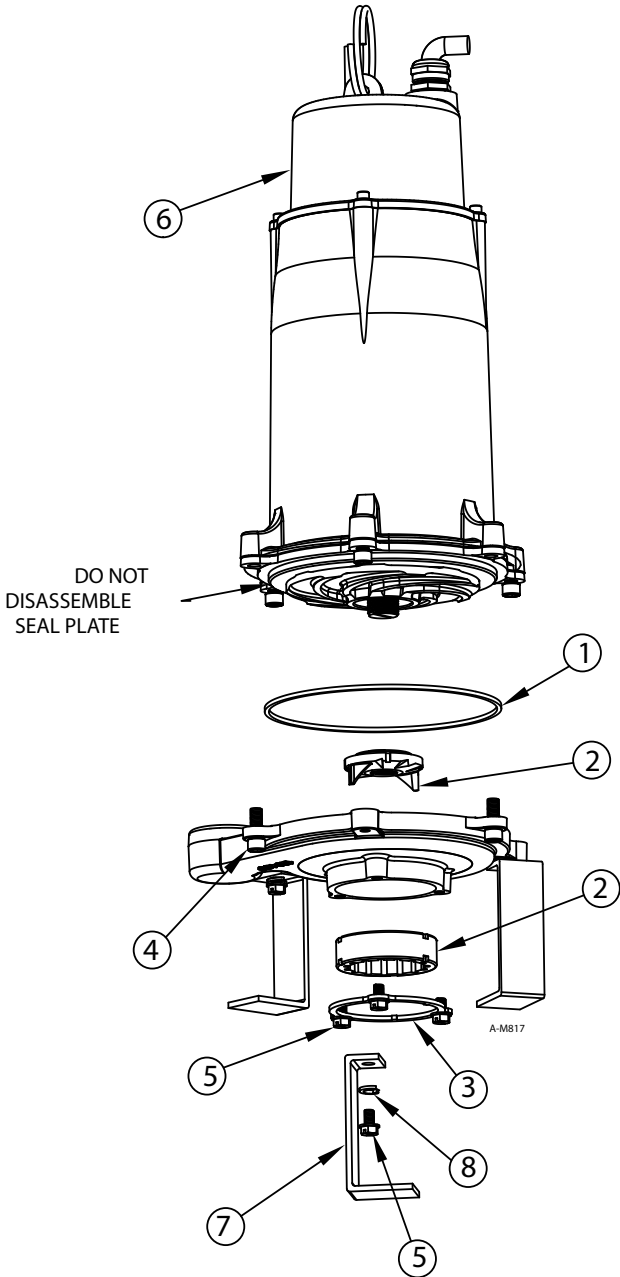


Figure 6

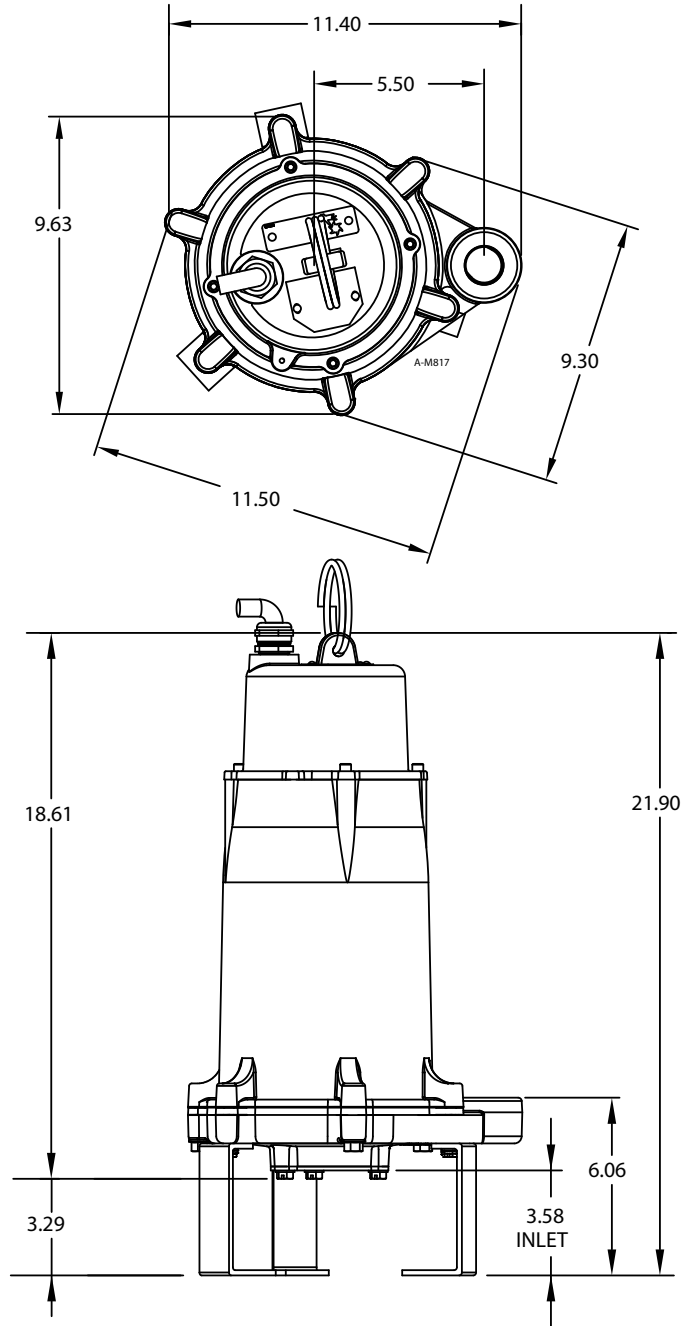


Figure 7

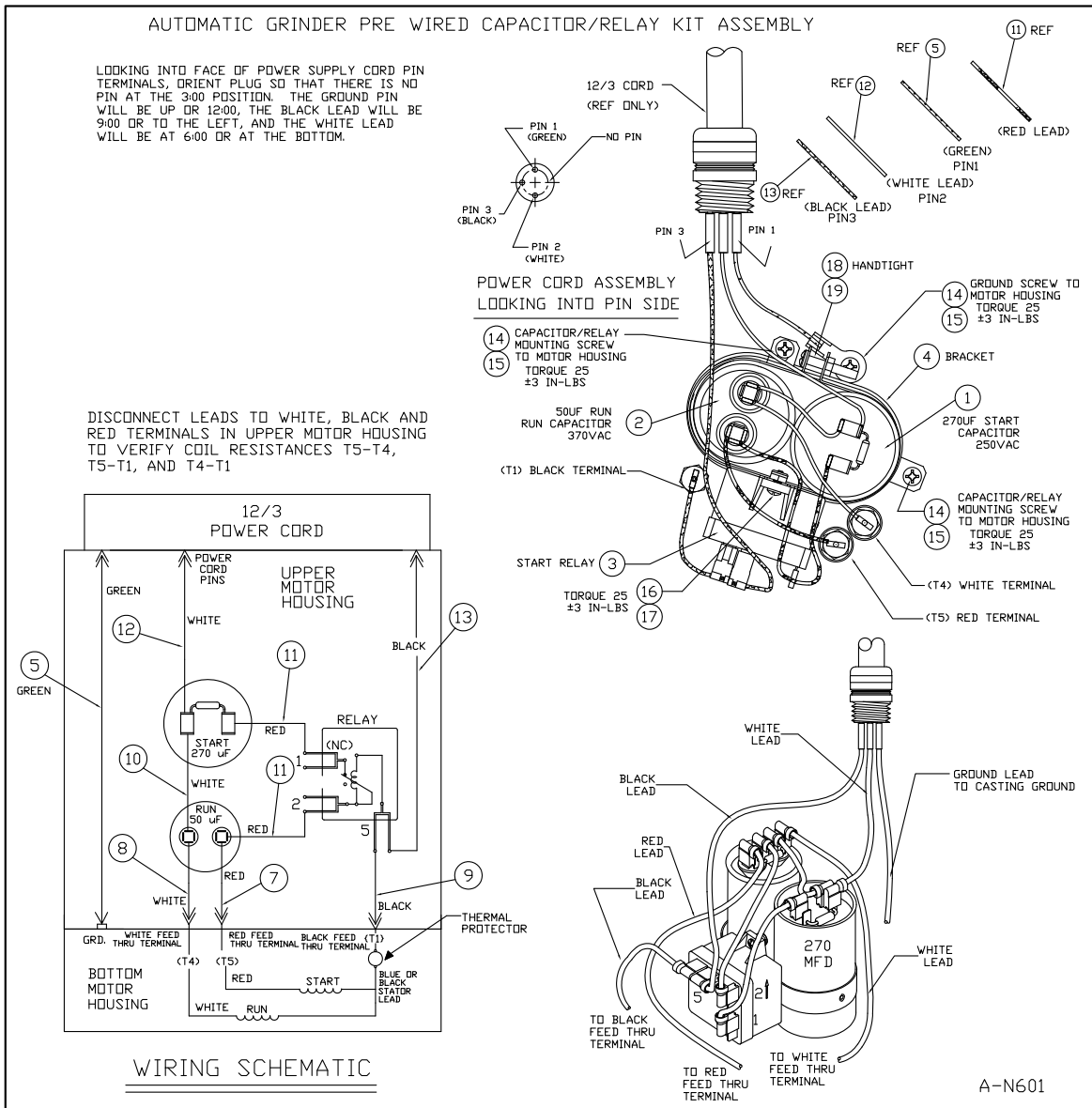


Figure 8

REPLACEMENT PARTS			
ITEM NO.	PART NO.	DESCRIPTION	QTY.
1	950532	Capacitor, 270 mfd, 250 V, 2.00" Dia	1
2	950519	Capacitor, 50 mfd, 370 V, 1.75" Dia	1
3	950537	Relay, potential, start, 400 V, 50 amp	1
4	*	Bracket, capacitor, dual, relay, zinc-plated, cold roll	1
5	*	Wire lead assy., 12", green, w/terminals, from power cord	1
6	*	Seal ring, nitrile, 5.359" I.D. x .134" wall, cover seal (not shown)	1
7	*	Wire lead assy., 7.00", red, w/flag terminal and pin terminal	1
8	*	Wire lead assy., 7.00", white, w/flag terminal and pin terminal	1
9	*	Wire lead assy., 3.75", black, w/flag terminal and pin terminal	1
10	*	Wire lead assy., 5.50", white, w/flag terminals	1

REPLACEMENT PARTS			
ITEM NO.	PART NO.	DESCRIPTION	QTY.
11	*	Wire lead assy., 5.50", red, w/flag terminals	2
12	*	Wire lead assy., 12", white, w/flag terminal and pin terminal	1
13	*	Wire lead assy., 12", black, w/flag terminal and pin terminal	1
14	*	Screw, machine, 8-32 x 1/4, Phillips, ground and capacitor bracket	3
15	*	Washer, lock, #8 (1 for ground and 2 for switch bracket mounting)	3
16	*	Screw, machine, 6 x 3/8, pan head, stainless, relay	1
17	*	Nut, hex, nylon, 6-32, locknut, relay	1
18	*	Screw, machine, 8-32 x 1, Phillips, panhead, capacitor bracket	1
19	*	Nut, hex, 8-32, locking, serrated (for capacitor bracket)	1

*Item not for sale. Shown for reference only.

Table 6

Capacitor/Relay Kit with Hardware (GPA-CK) #520859