



304-031

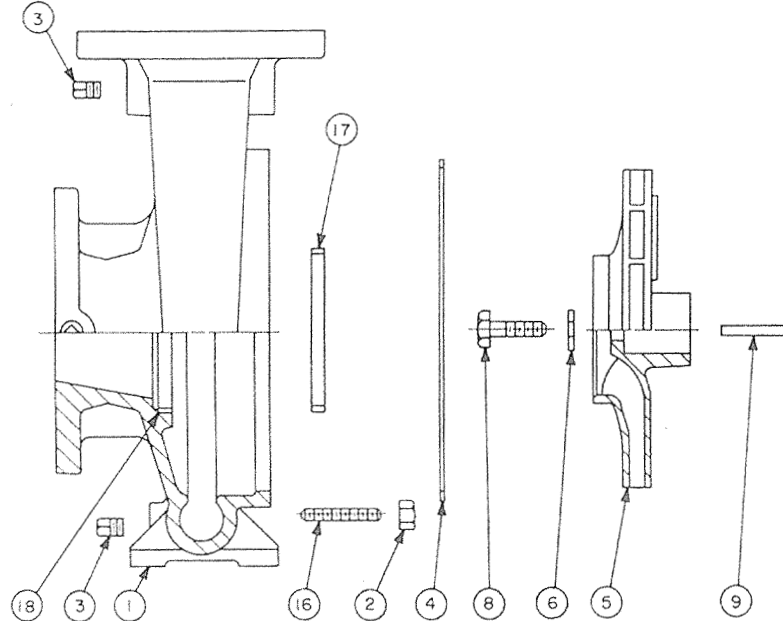
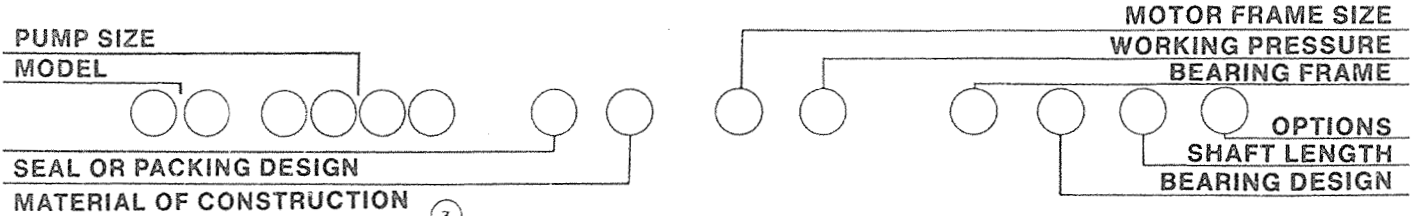
Replacement Parts List

FM 4016, 5016 & 6016

Effective: February 15, 1992

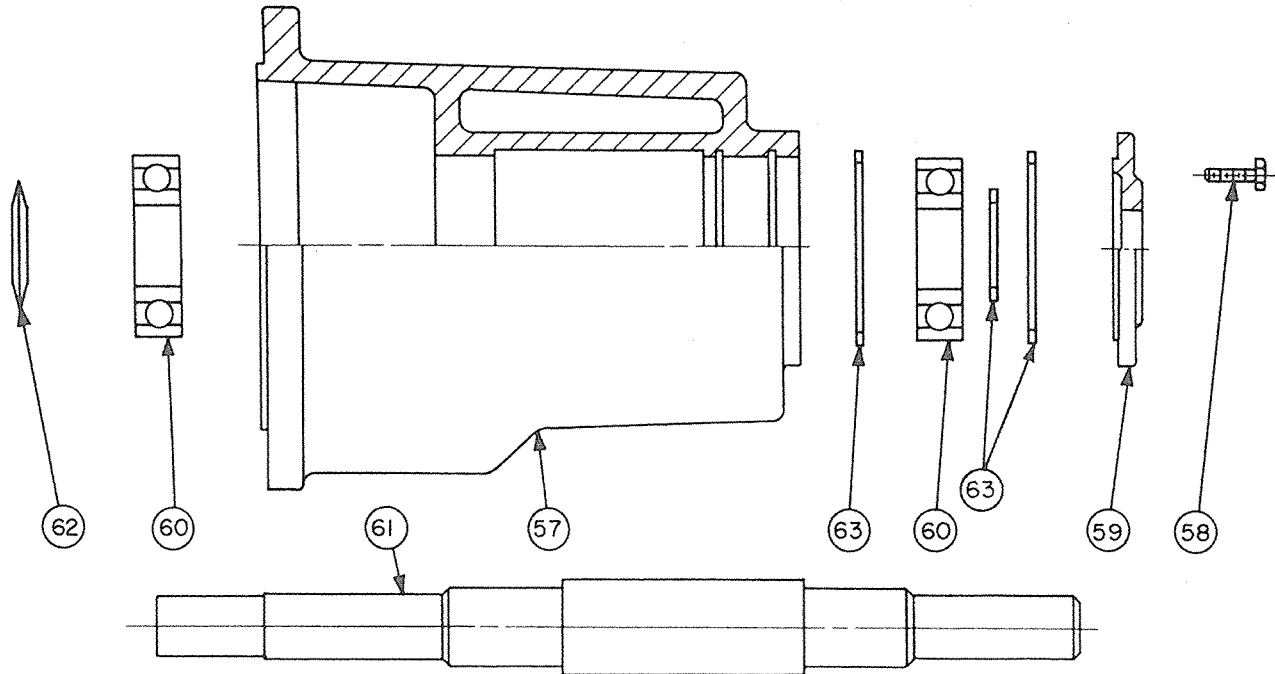
Supersedes: NEW

WHEN SELECTING AND ORDERING PARTS, ALWAYS REFER TO SERIAL NUMBER ON NAME PLATE



ITEM NO.	NO REQ.	DESCRIPTION	4016	5016	6016
1	1	CASING	950-1027RP	950-1028RP	950-1029RP
2	12	NUT	HARDWARE	HARDWARE	HARDWARE
3	2	SQ. HEAD PLUG	HARDWARE	HARDWARE	HARDWARE
4	1	GASKET	950-083RP	950-083RP	950-083RP
5	1	IMPELLER (CI)	950-1088RP	950-1089RP	950-1090RP
5	1	IMPELLER (BRZ.)	950-1088BRP	950-1089BRP	950-1090BRP
6	1	IMPELLER WASHER	950-047RP	950-047RP	950-047RP
8	1	IMPELLER BOLT	HARDWARE	HARDWARE	HARDWARE
9	1	IMPELLER KEY	HARDWARE	HARDWARE	HARDWARE
16	12	STUD	950-1162RP	950-1162RP	950-1162RP
17	1	WEAR RING (CI)	950-1168RP	950-1169RP	950-1171RP
17	1	WEAR RING (BRZ.)	950-1168BRP	950-1169BRP	950-1171BRP
18	1	DOWEL PIN	N/A	N/A	N/A
43	1	COVER WEAR RING (CI)	950-1183RP	950-1182RP	950-1171RP
43	1	COVER WEAR RING (BRZ.)	950-1183BRP	950-1182BRP	950-1171BRP

FRAME SIZE & STYLE



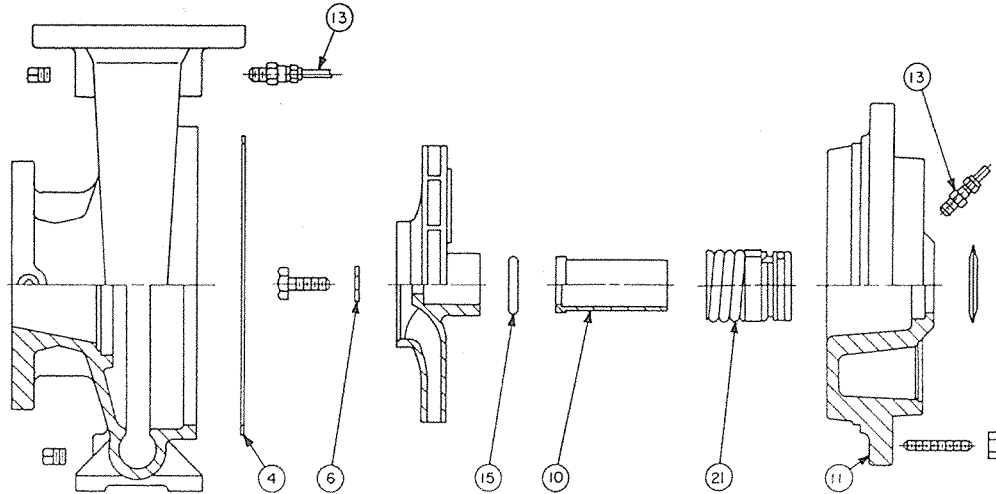
FRAME PARTS FOR "D" SIZE PUMP

ITEM NO.	NO. REQ.	DESCRIPTION	PART NO.	REMARKS
72	1	FRAME ASSEMBLY	950-1218RP	All Above Assembled As A Unit
57	1	FRAME	N/A	
58	8	HEX HD. SCREWS	HARDWARE	
59	2	BEARING COVER	950-1204RP	
60	2	BALL BEARING	951-155RP	
61	1	SHAFT	950-1207RP	
62	1	DEFLECTOR	N/A	
63	3	RETAINING RING	950-1210RP	
65	2	GREASE FITTING	950-1214RP	Not Shown
66	1	WASHER	HARDWARE	Not Included With Frame
67	1	BOLT	HARDWARE	Not Included With Frame

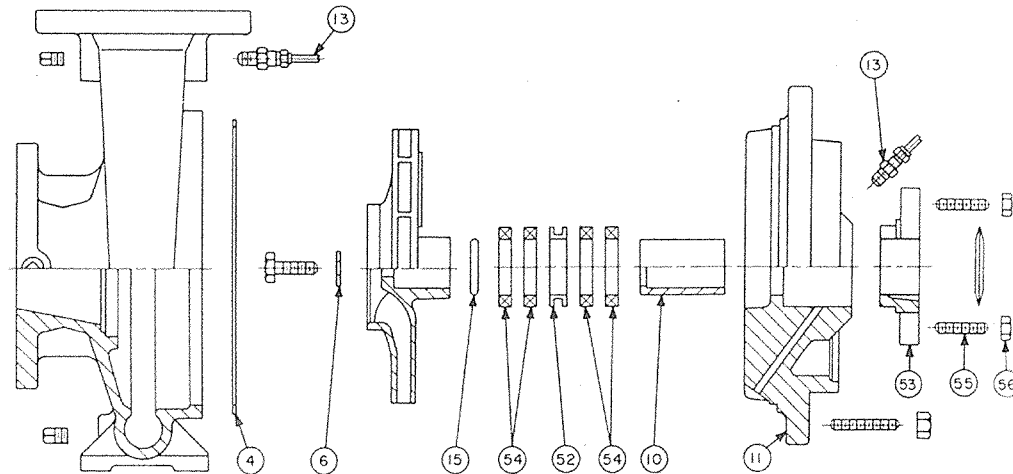
COVER MODULE FOR "D" SIZE PUMPS

ITEM NO.	NO. REQ.	SEAL OR PACKING TYPE	DESCRIPTION	4016	5016	6016
11	1	B-D-E	COVER	<-----950-1144RP----->		
11	1	P-Y	COVER	<-----950-1132RP----->		
24	12	NA	STUD	<-----950-1159RP----->		
25	12	NA	NUT	<-----HARDWARE----->		

SEAL OR PACKING DESIGN MECHANICAL SEAL



PACKING



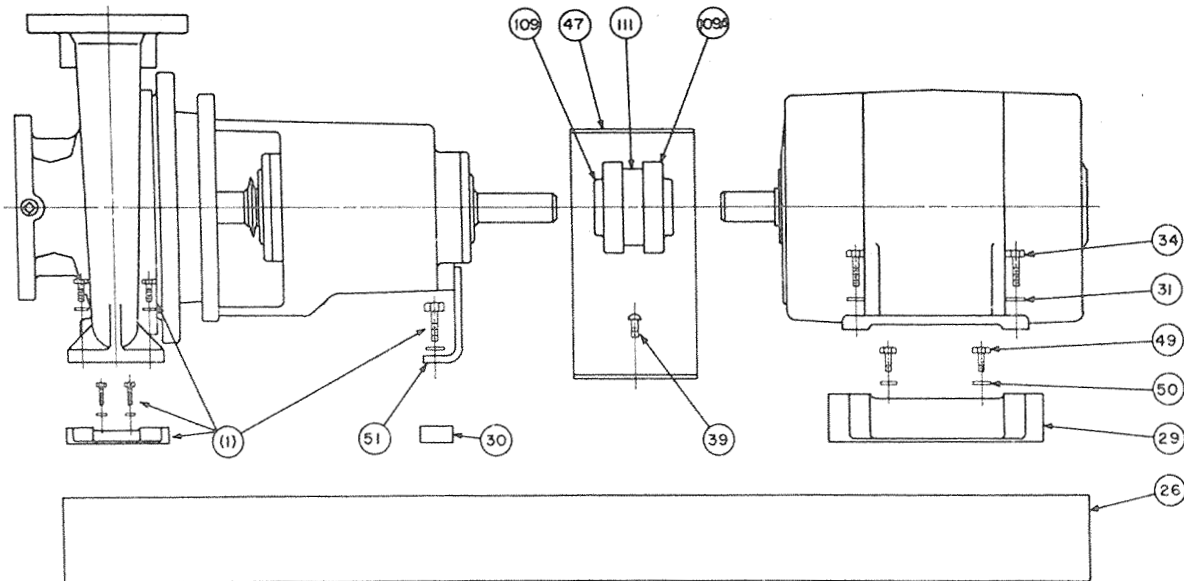
TYPE "B" STANDARD, TYPE "D" HI TEMP, TYPE "E" CERAMIC, TYPE "P" & "Y" PACKING

SEAL PARTS FOR "D" SIZE PUMPS

SEAL KIT INCLUDES ITEMS 4, 6, 10, 15 & 21

ITEM NO.	NO REQ.	DESCRIPTION	SEAL OR PACKING DESIGN				
			TYPE "B"	TYPE "D"	TYPE "E"	TYPE "P"	TYPE "Y"
4	1	GASKET	SEE PAGE 1				
6	1	IMP. WASHER	SEE PAGE 1				
10	1	SLEEVE (SS)	950-518RP	950-518RP	950-518RP	951-039RP	
10	1	SLEEVE (BRZ.)	950-521RP	950-521RP	950-521RP	951-040RP	
13	1	TUBE FITTING KIT	951-247RP	951-247RP	951-247RP	951-247RP	
15	1	SLEEVE GASKET	950-376RP	950-376RP	950-376RP	950-376RP	
30	1	SEAL KIT	950-666SRP	950-669SRP	950-672SRP	N/A	
30	1	SEAL KIT	950-666BRP	950-669BRP	950-672BRP	N/A	
52	1	LANTERN RING	N/A	N/A	N/A	950-1195RP	
52	1	LANTERN RING (BRZ.)	N/A	N/A	N/A	950-1195BRP	
53	1	GLAND	N/A	N/A	N/A	950-1198RP	
53	1	GLAND (BRZ.)	N/A	N/A	N/A	950-1198BRP	
54	4	PACKING RING	N/A	N/A	N/A	950-1201RP	
55	2	STUD	N/A	N/A	N/A	950-1161RP	
56	2	NUT	N/A	N/A	N/A	HARDWARE	

MOTOR PARTS—NOT PART OF SERIAL NUMBER—



FOR FM PUMPS NO. 4016 & 5016 (1)

ITEM NO.	NO. REQ.	DESCRIPTION	MOTOR FRAME SIZE (NEMA STD.) 'T' (NOTE 2)							
			284T	284TS	286T	286TS	324T	324TS	326T	326TS
26	1	BASE	CONSULT FACTORY							
29	2	MTR. SPACER	CONSULT FACTORY							
30	1	FOOT SPACER	N/A							
31	4	MTR. LOCKWASHER	HARDWARE							
34	4	MTR. BOLT	HARDWARE							
39	2	C. G. SCREW	HARDWARE							
47	1	COUPL. GUARD	950-237RP				950-244RP			
49	4	MTR. SPACER BOLT	N/A				HARDWARE			
50	4	MTR. SPACER L.W.	N/A				HARDWARE			
51	1	FRAME FOOT	950-1192RP							
109	1	PUMP COUPL. HALF	900-428RP		900-494RP				900-242RP	
109A	1	MTR. COUPL. HALF	900-437RP	900-428RP	900-495RP	900-494RP	900-497RP	900-495RP	900-505RP	900-504RP
111	1	COUPL. INSERT	900-515RP		900-516RP				900-517RP	

NOTE (1): For Pump Spacers & Hardware, Consult Factory.

NOTE (2): For Motors Above 326TS, Consult Factory.

FOR FM PUMP NO. 6016 (1)

ITEM NO.	NO. REQ.	DESCRIPTION	MOTOR FRAME SIZE (NEMA STD.) 'T' (NOTE 2)							
			286T	286TS	324T	324TS	326T	326TS	364T	364TS
26	1	BASE	CONSULT FACTORY							
29	2	MTR. SPACER	CONSULT FACTORY							
30	1	FOOT SPACER	N/A							
31	4	MTR. LOCKWASHER	HARDWARE							
34	4	MTR. BOLT	HARDWARE							
39	2	C. G. SCREW	HARDWARE							
47	1	COUPL. GUARD	950-237RP				950-244RP			
49	4	MTR. SPACER BOLT	N/A		HARDWARE				N/A	
50	4	MTR. SPACER L.W.	N/A		HARDWARE				N/A	
51	1	FRAME FOOT	950-1192RP							
109	1	PUMP COUPL. HALF	900-494RP				950-242RP			
109A	1	MTR. COUPL. HALF	900-495RP	900-494RP	900-497RP	900-495RP	900-505RP	900-504RP	900-532RP	900-504RP
111	1	COUPL. INSERT	900-516RP				900-517RP			

NOTE (1): For Pump Spacers & Hardware, Consult Factory.

NOTE (2): For Motors Above 364TS, Consult Factory.

Do it Once. Do it Right.®

TACO INC., 1160 Cranston Street, Cranston, RI 02920 Telephone: (401) 942-8000 Fax: 942-2360
 TACO (Canada), Ltd., 6180 Ordan Drive, Mississauga, Ontario L5T 2B3 Telephone: (905) 564-9422 Fax: (905) 564-9436
 Visit our website at: www.taco-hvac.com

Printed in USA
 Copyright 2007
 TACO, Inc.