



304-030

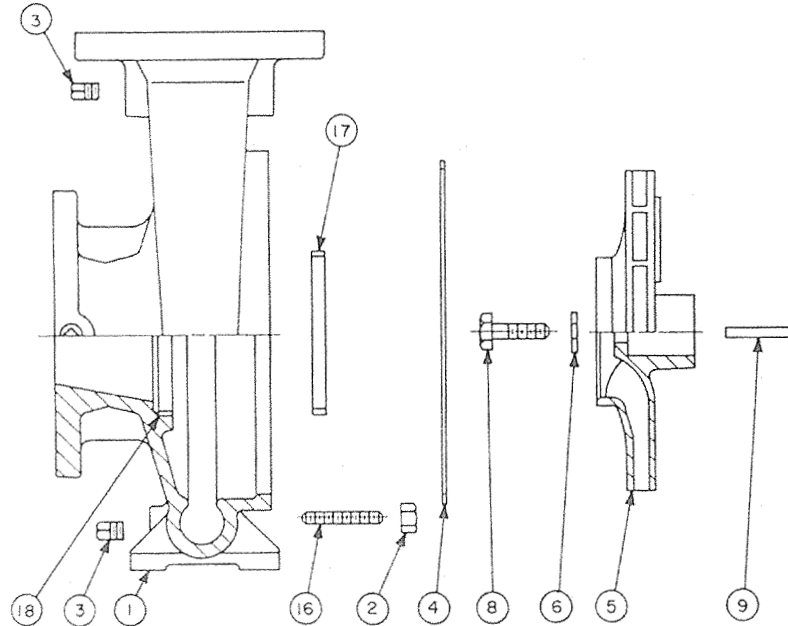
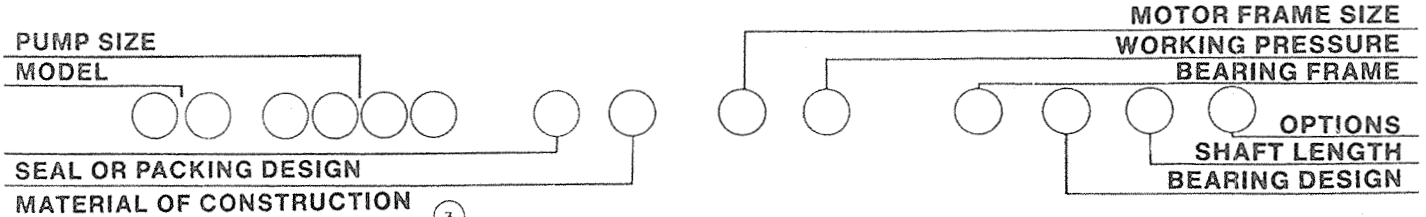
Replacement Parts List

FM 4013, 5013 & 6013

Effective: February 15, 1992

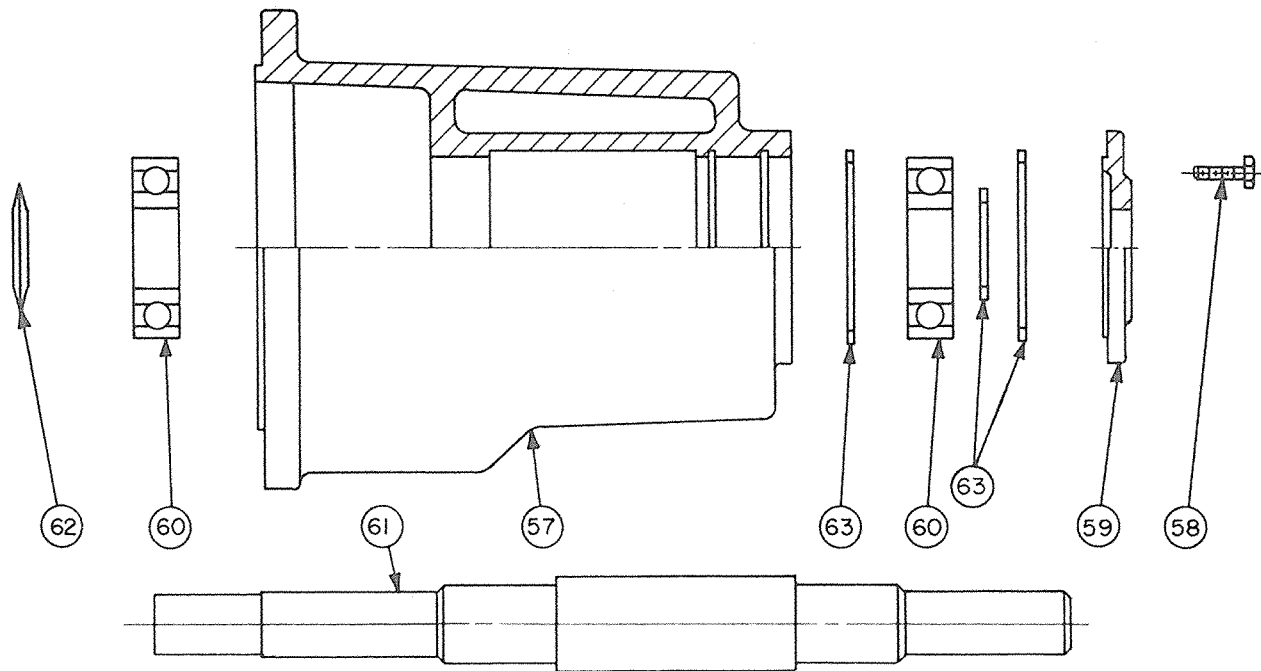
Supersedes: NEW

WHEN SELECTING AND ORDERING PARTS, ALWAYS REFER TO SERIAL NUMBER ON NAME PLATE



ITEM NO.	NO REQ.	DESCRIPTION	4013	5013	6013
1	1	CASING	950-1024RP	950-1025RP	950-1026RP
2	12	NUT	HARDWARE	HARDWARE	HARDWARE
3	2	SQ. HEAD PLUG	HARDWARE	HARDWARE	HARDWARE
4	1	GASKET	950-077RP	950-077RP	950-077RP
5	1	IMPELLER (CI)	950-1085RP	950-1086RP	950-1087RP
5	1	IMPELLER (BRZ.)	950-1085BRP	950-1086BRP	950-1087BRP
6	1	IMPELLER WASHER	950-047RP	950-047RP	950-047RP
8	1	IMPELLER BOLT	HARDWARE	HARDWARE	HARDWARE
9	1	IMPELLER KEY	HARDWARE	HARDWARE	HARDWARE
16	12	STUD	950-1159RP	950-1159RP	950-1159RP
17	1	WEAR RING (CI)	950-1168RP	950-1169RP	950-1171RP
17	1	WEAR RING (BRZ.)	950-1168BRP	950-1169BRP	950-1171BRP
18	1	DOWEL PIN	N/A	N/A	N/A
43	1	COVER WEAR RING (CI)	950-1186RP	950-1182RP	950-1171RP
43	1	COVER WEAR RING (BRZ.)	950-1186BRP	950-1182BRP	950-1171BRP

FRAME SIZE & STYLE



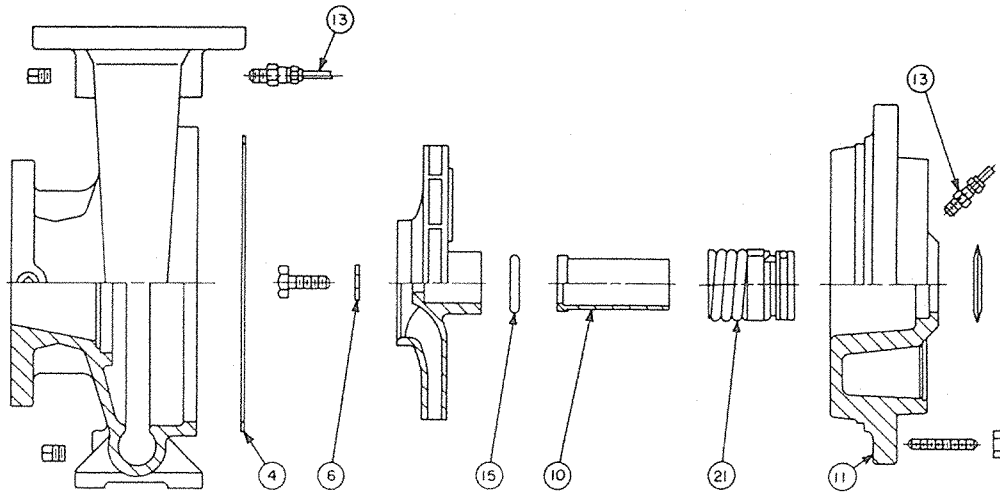
FRAME PARTS FOR "D" SIZE PUMP

ITEM NO.	NO. REQ.	DESCRIPTION	PART NO.	REMARKS
72	1	FRAME ASSEMBLY	950-1218RP	All Above Assembled As A Unit
57	1	FRAME	N/A	
58	8	HEX HD. SCREWS	HARDWARE	
59	2	BEARING COVER	950-1204RP	
60	2	BALL BEARING	951-155RP	
61	1	SHAFT	950-1207RP	
62	1	DEFLECTOR	N/A	
63	3	RETAINING RING	950-1210RP	
65	2	GREASE FITTING	950-1214RP	Not Shown
66	1	WASHER	HARDWARE	Not Included With Frame
67	1	BOLT	HARDWARE	Not Included With Frame

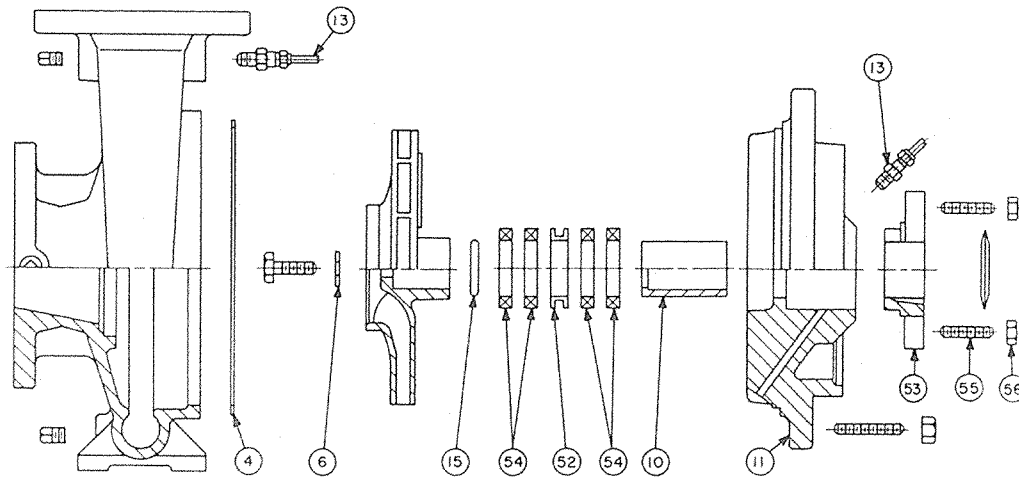
COVER MODULE FOR "D" SIZE PUMPS

ITEM NO.	NO. REQ.	SEAL OR PACKING TYPE	DESCRIPTION	4013	5013	6013
11	1	B-D-E	COVER	950-1142RP	950-1143RP	
11	1	P-Y	COVER	950-1130RP	950-1131RP	
24	12	NA	STUD	<-----950-1159RP----->		
25	12	NA	NUT	<-----HARDWARE----->		

SEAL OR PACKING DESIGN MECHANICAL SEAL



PACKING



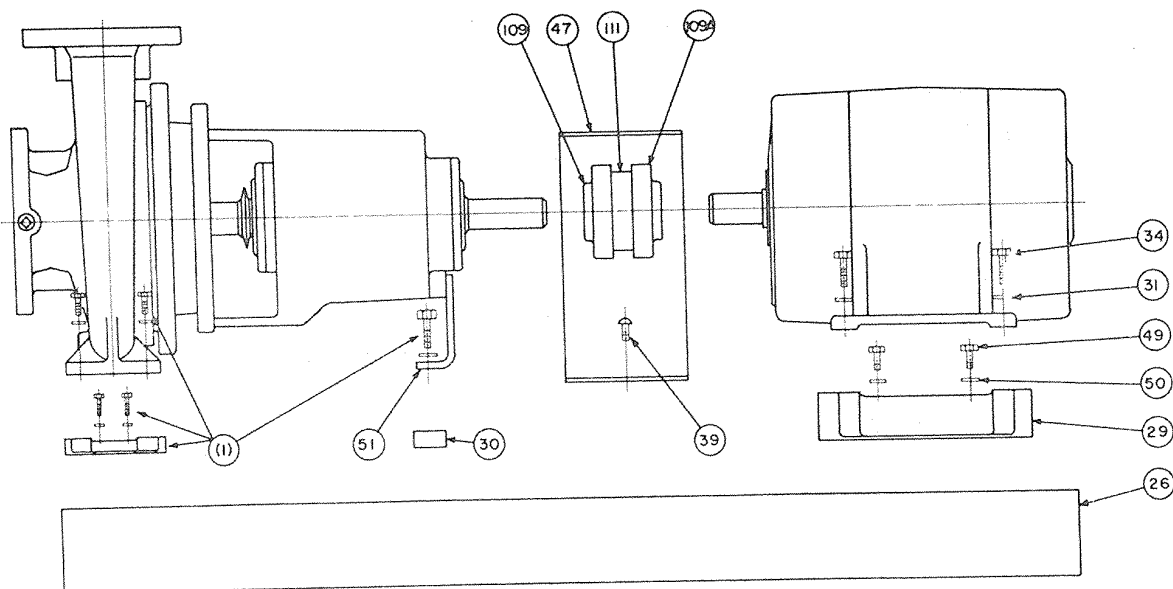
TYPE "B" STANDARD, TYPE "D" HI TEMP, TYPE "E" CERAMIC, TYPE "P" & "Y" PACKING

SEAL PARTS FOR "D" SIZE PUMPS

SEAL KIT INCLUDES ITEMS 4, 6, 10, 15 & 21

ITEM NO.	NO REQ.	DESCRIPTION	SEAL OR PACKING DESIGN				
			TYPE "B"	TYPE "D"	TYPE "E"	TYPE "P"	TYPE "Y"
4	1	GASKET	SEE PAGE 1				
6	1	IMP. WASHER	SEE PAGE 1				
10	1	SLEEVE (SS)	950-518RP	950-518RP	950-518RP	951-039RP	
10	1	SLEEVE (BRZ.)	950-521RP	950-521RP	950-521RP	951-040RP	
13	1	TUBE FITTING KIT	951-247RP	951-247RP	951-247RP	951-247RP	
15	1	SLEEVE GASKET	950-376RP	950-376RP	950-376RP	950-376RP	
30	1	SEAL KIT	950-666SRP	950-669SRP	950-672SRP	N/A	
30	1	SEAL KIT	950-666BRP	950-669BRP	950-672BRP	N/A	
52	1	LANTERN RING	N/A	N/A	N/A	950-1195RP	
52	1	LANTERN RING (BRZ.)	N/A	N/A	N/A	950-1195BRP	
53	1	GLAND	N/A	N/A	N/A	950-1198RP	
53	1	GLAND (BRZ.)	N/A	N/A	N/A	950-1198BRP	
54	4	PACKING RING	N/A	N/A	N/A	950-1201RP	
55	2	STUD	N/A	N/A	N/A	950-1161RP	
56	2	NUT	N/A	N/A	N/A	HARDWARE	

MOTOR PARTS—NOT PART OF SERIAL NUMBER—



FOR FM PUMPS NO. 4013 (1)

ITEM NO.	NO. REQ.	DESCRIPTION	MOTOR FRAME SIZE (NEMA STD.) 'T' (NOTE 2)						
			215T	254T	256T	284T	284TS	286T	286TS
26	1	BASE	CONSULT FACTORY						
29	2	MTR. SPACER	CONSULT FACTORY						
30	1	FOOT SPACER	N/A						
31	4	MTR. LOCKWASHER	HARDWARE						
34	4	MTR. BOLT	HARDWARE						
39	2	C. G. SCREW	HARDWARE						
47	1	COUPL. GUARD	862-164RP		862-156RP				
49	4	MTR. SPACER BOLT	N/A						
50	4	MTR. SPACER L.W.	N/A						
51	1	FRAME FOOT	950-1191RP						
71	8	MOTOR SHIM (S)	N/A		950-270RP				
109	1	PUMP COUPL. HALF	900-365RP		900-428RP		900-494RP		
109A	1	MTR. COUPL. HALF	900-364RP	950-365RP	900-428RP	900-437RP	900-428RP	900-495RP	900-494RP
111	1	COUPL. INSERT	900-514RP		900-515RP		900-516RP		

NOTE (1): For Pump Spacers & Hardware, Consult Factory.

NOTE (2): For Motors Above 286TS, Consult Factory.

FOR FM PUMPS NO. 5013 & 6013 (1)

ITEM NO.	NO. REQ.	DESCRIPTION	MOTOR FRAME SIZE (NEMA STD.) 'T' (NOTE 2)						
			284T	284TS	286T	286TS	324T	324TS	326T
26	1	BASE	CONSULT FACTORY						
29	2	MTR. SPACER	CONSULT FACTORY						
30	1	FOOT SPACER	N/A						
31	4	MTR. LOCKWASHER	HARDWARE						
34	4	MTR. BOLT	HARDWARE						
39	2	C. G. SCREW	HARDWARE						
47	1	COUPL. GUARD	950-237RP			950-244RP			
49	4	MTR. SPACER BOLT	N/A			HARDWARE			
50	4	MTR. SPACER L.W.	N/A			HARDWARE			
51	1	FRAME FOOT	950-1192RP						
109	1	PUMP COUPL. HALF	900-428RP		900-494RP				
109A	1	MTR. COUPL. HALF	900-437RP	900-428RP	900-495RP	900-494RP	900-497RP	900-494RP	900-504RP
111	1	COUPL. INSERT	900-515RP		900-516RP				

NOTE (1): For Pump Spacers & Hardware, Consult Factory.

NOTE (2): For Motors Above 326TS, Consult Factory.

Do it Once. Do it Right.®

TACO INC., 1160 Cranston Street, Cranston, RI 02920 Telephone: (401) 942-8000 Fax: 942-2360
 TACO (Canada), Ltd., 6180 Ordan Drive, Mississauga, Ontario L5T 2B3 Telephone: (905) 564-9422 Fax: (905) 564-9436
 Visit our website at: www.taco-hvac.com

Printed in USA
 Copyright 2007
 TACO, Inc.