



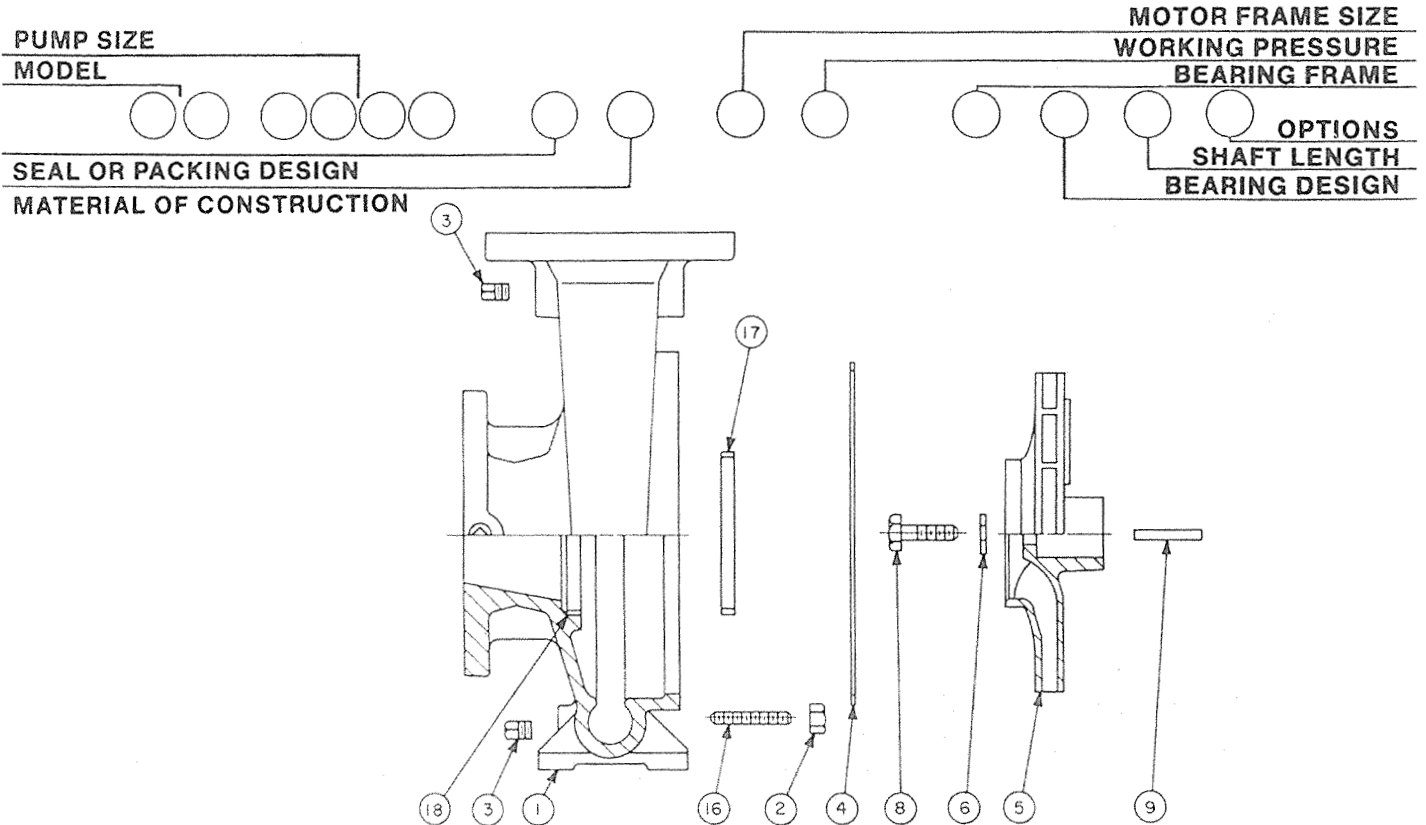
Replacement Parts List

FM 4010, 5010, 2513 & 3013

Effective: February 15, 1992

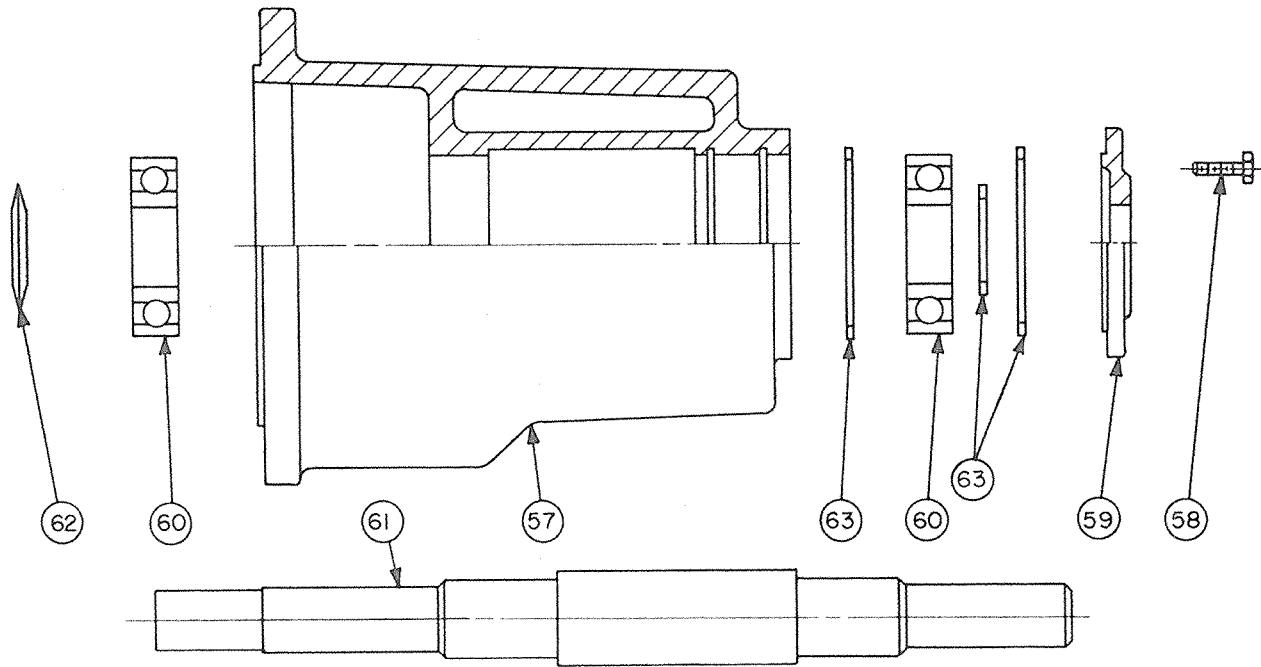
Supersedes: NEW

WHEN SELECTING AND ORDERING PARTS, ALWAYS REFER TO SERIAL NUMBER ON NAME PLATE



ITEM NO.	NO REQ.	DESCRIPTION	4010	5010	2513	3013
1	1	CASING	950-1020RP	950-1021RP	950-1022RP	950-1023RP
2	12	NUT	HARDWARE	HARDWARE	HARDWARE	HARDWARE
3	2	SQ. HEAD PLUG	HARDWARE	HARDWARE	HARDWARE	HARDWARE
4	1	GASKET	950-119RP	950-119RP	950-077RP	950-077RP
5	1	IMPELLER (CI)	950-1081RP	950-1082RP	950-1083RP	950-1084RP
5	1	IMPELLER (BRZ.)	950-1081BRP	950-1082BRP	950-1083BRP	950-1084BRP
6	1	IMPELLER WASHER	950-047RP	950-047RP	950-047RP	950-047RP
8	1	IMPELLER BOLT	HARDWARE	HARDWARE	HARDWARE	HARDWARE
9	1	IMPELLER KEY	HARDWARE	HARDWARE	HARDWARE	HARDWARE
16	12	STUD	950-1161RP	950-1161RP	950-1159RP	950-1159RP
17	1	WEAR RING (CI)	950-1168RP	950-1169RP	950-1167RP	950-1170RP
17	1	WEAR RING (BRZ.)	950-1168BRP	950-1169BRP	950-1167BRP	950-1170BRP
18	1	DOWEL PIN	N/A	N/A	N/A	N/A
43	1	COVER WEAR RING (CI)	N/A	N/A	950-1184RP	950-1185RP
43	1	COVER WEAR RING (BRZ.)	N/A	N/A	950-1184BRP	950-1185BRP

FRAME SIZE & STYLE



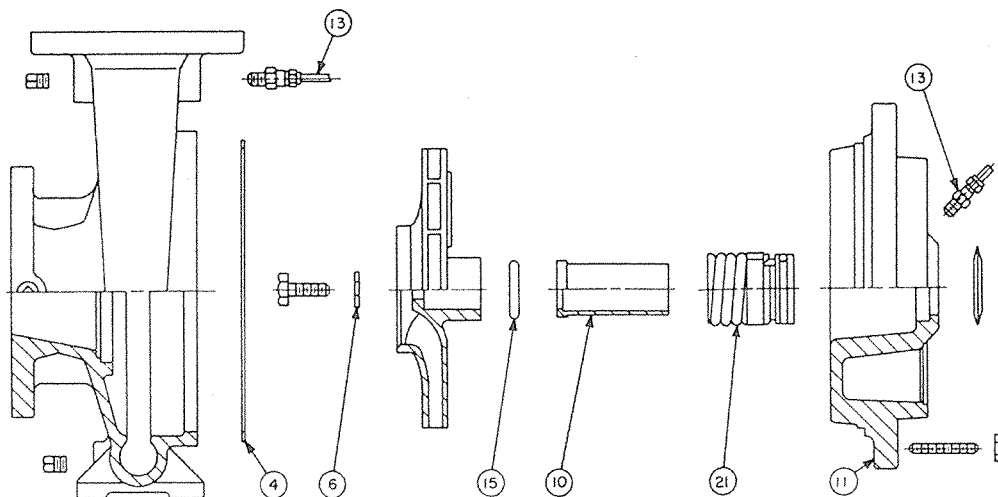
FRAME PARTS FOR "D" SIZE PUMP

ITEM NO.	NO. REQ.	DESCRIPTION	PART NO.	REMARKS
72	1	FRAME ASSEMBLY	950-1218RP	All Above Assembled As A Unit
57	1	FRAME	N/A	
58	8	HEX HD. SCREWS	HARDWARE	
59	2	BEARING COVER	950-1204RP	
60	2	BALL BEARING	951-155RP	
61	1	SHAFT	950-1207RP	
62	1	DEFLECTOR	N/A	
63	3	RETAINING RING	950-1210RP	
65	2	GREASE FITTING	950-1214RP	Not Shown
66	1	WASHER	HARDWARE	Not Included With Frame
67	1	BOLT	HARDWARE	Not Included With Frame

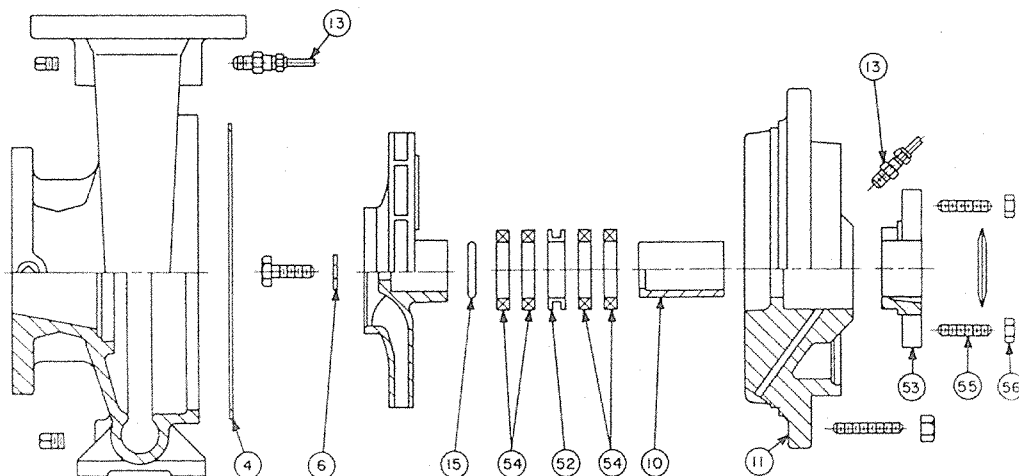
COVER MODULE FOR "D" SIZE PUMPS

ITEM NO.	NO. REQ.	SEAL OR PACKING TYPE	DESCRIPTION	4010	5010	2513	3013
11	1	B-D-E	COVER	950-1147RP		950-1142RP	
11	1	P-Y	COVER	950-1129RP		950-1130RP	
24	8	NA	STUD	N/A		950-1159RP	
25	8	NA	NUT	N/A		HARDWARE	

SEAL OR PACKING DESIGN MECHANICAL SEAL



PACKING



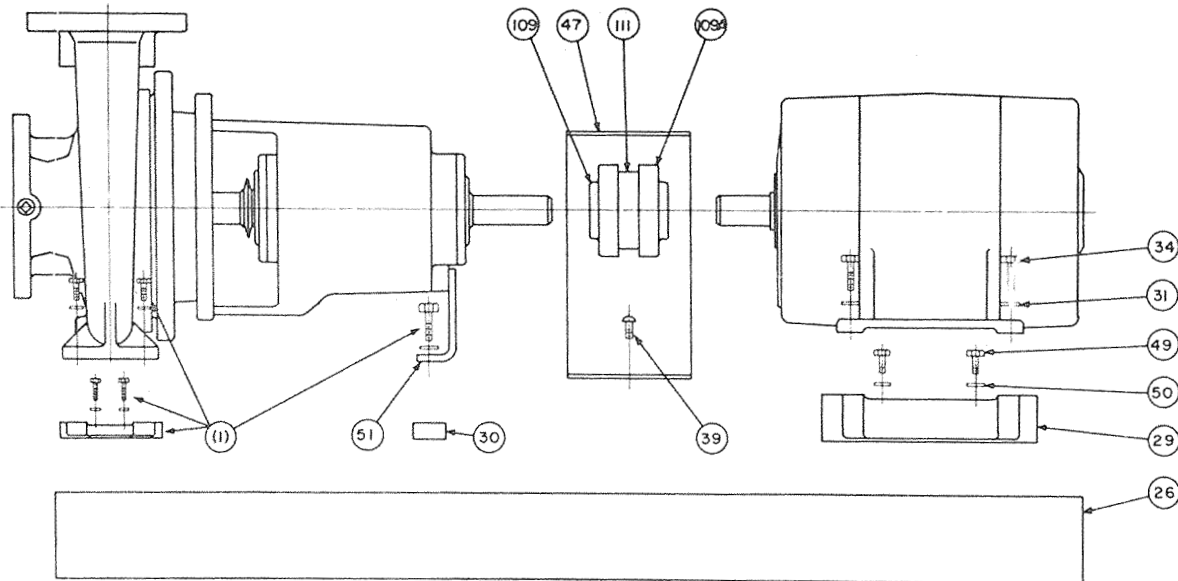
TYPE "B" STANDARD, TYPE "D" HI TEMP, TYPE "E" CERAMIC, TYPE "P" & "Y" PACKING

SEAL PARTS FOR "D" SIZE PUMPS

SEAL KIT INCLUDES ITEMS 4, 6, 10, 15 & 21

ITEM NO.	NO REQ.	DESCRIPTION	SEAL OR PACKING DESIGN				
			TYPE "B"	TYPE "D"	TYPE "E"	TYPE "P"	TYPE "Y"
4	1	GASKET	SEE PAGE 1				
6	1	IMP. WASHER	SEE PAGE 1				
10	1	SLEEVE (SS)	950-518RP	950-518RP	950-518RP	951-039RP	
10	1	SLEEVE (BRZ.)	950-521RP	950-521RP	950-521RP	951-040RP	
13	1	TUBE FITTING KIT	951-247RP	951-247RP	951-247RP	951-247RP	
15	1	SLEEVE GASKET	950-376RP	950-376RP	950-376RP	950-376RP	
30	1	SEAL KIT	950-666SRP	950-669SRP	950-672SRP	N/A	
30	1	SEAL KIT	950-666BRP	950-669BRP	950-672BRP	N/A	
52	1	LANTERN RING	N/A	N/A	N/A	950-1195RP	
52	1	LANTERN RING (BRZ.)	N/A	N/A	N/A	950-1195BRP	
53	1	GLAND	N/A	N/A	N/A	950-1198RP	
53	1	GLAND (BRZ.)	N/A	N/A	N/A	950-1198BRP	
54	4	PACKING RING	N/A	N/A	N/A	950-1201RP	
55	2	STUD	N/A	N/A	N/A	950-1161RP	
56	2	NUT	N/A	N/A	N/A	HARDWARE	

MOTOR PARTS—NOT PART OF SERIAL NUMBER—



FOR FM PUMPS NO. 4010 & 2513 (1)

ITEM NO.	NO. REQ.	DESCRIPTION	MOTOR FRAME SIZE (NEMA STD.) 'T' (NOTE 2)						
			213T	215T	254T	256T	284T	284TS	286T
26	1	BASE	CONSULT FACTORY						
29	2	MTR. SPACER	CONSULT FACTORY						
30	1	FOOT SPACER	N/A						
31	4	MTR. LOCKWASHER	HARDWARE						
34	4	MTR. BOLT	HARDWARE						
39	2	C. G. SCREW	HARDWARE						
47	1	COUPL. GUARD	862-164RP			862-156RP			
49	4	MTR. SPACER BOLT	N/A						
50	4	MTR. SPACER L.W.	N/A						
51	1	FRAME FOOT	950-1191RP						
71	8	MOTOR SHIM (S)	N/A			950-270RP			
109	1	PUMP COUPL. HALF	900-365RP			900-428RP			
109A	1	MTR. COUPL. HALF	900-364RP	900-365RP	900-428RP	900-437RP	900-428RP	900-495RP	900-494RP
111	1	COUPL. INSERT	900-514RP			900-515RP		900-516RP	

NOTE (1): For Pump Spacers & Hardware, Consult Factory.

NOTE (2): For Motors Above 286TS, Consult Factory.

FOR FM PUMPS NO. 5010 & 2513 (1)

ITEM NO.	NO. REQ.	DESCRIPTION	MOTOR FRAME SIZE (NEMA STD.) 'T' (NOTE 2)						
			215T	254T	256T	284T	284TS	286T	286TS
26	1	BASE	CONSULT FACTORY						
29	2	MTR. SPACER	CONSULT FACTORY						
30	1	FOOT SPACER	N/A						
31	4	MTR. LOCKWASHER	HARDWARE						
34	4	MTR. BOLT	HARDWARE						
39	2	C. G. SCREW	HARDWARE						
47	1	COUPL. GUARD	862-164RP			862-156RP			
49	4	MTR. SPACER BOLT	N/A						
50	4	MTR. SPACER L.W.	N/A						
51	1	FRAME FOOT	950-1191RP						
71	8	MOTOR SHIM (S)	N/A		950-270RP				
109	1	PUMP COUPL. HALF	900-365RP			900-428RP		900-494RP	
109A	1	MTR. COUPL. HALF	900-364RP	900-365RP	900-438RP	900-437RP	900-428RP	900-495RP	900-494RP
111	1	COUPL. INSERT	900-514RP			900-515RP		900-516RP	

NOTE (1): For Pump Spacers & Hardware, Consult Factory.

NOTE (2): For Motors Above 286TS, Consult Factory.

Do it Once. Do it Right.®

TACO INC., 1160 Cranston Street, Cranston, RI 02920 Telephone: (401) 942-8000 Fax: 942-2360
 TACO (Canada), Ltd., 6180 Ordan Drive, Mississauga, Ontario L5T 2B3 Telephone: (905) 564-9422
 Visit our website at: www.taco-hvac.com

Fax: (905) 564-9436

Printed in USA
 Copyright 2007
 TACO, Inc.