



Replacement Parts List

304-028

FM 3008, 4008, 2510 & 3010

Effective: October 1, 2009

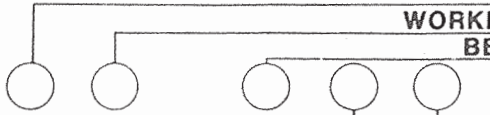
Supersedes: February 15, 1992

WHEN SELECTING AND ORDERING PARTS, ALWAYS REFER TO SERIAL NUMBER ON NAME PLATE

PUMP SIZE
MODEL

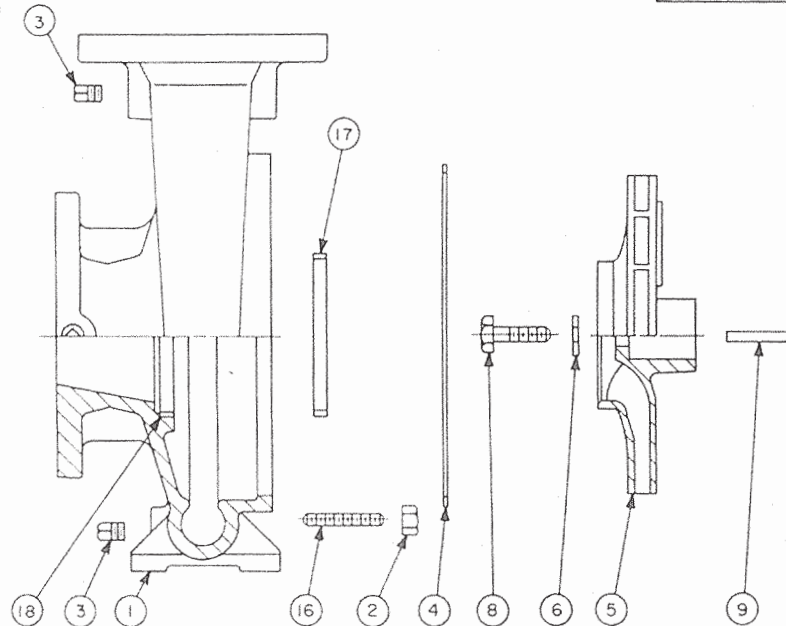


MOTOR FRAME SIZE
WORKING PRESSURE
BEARING FRAME



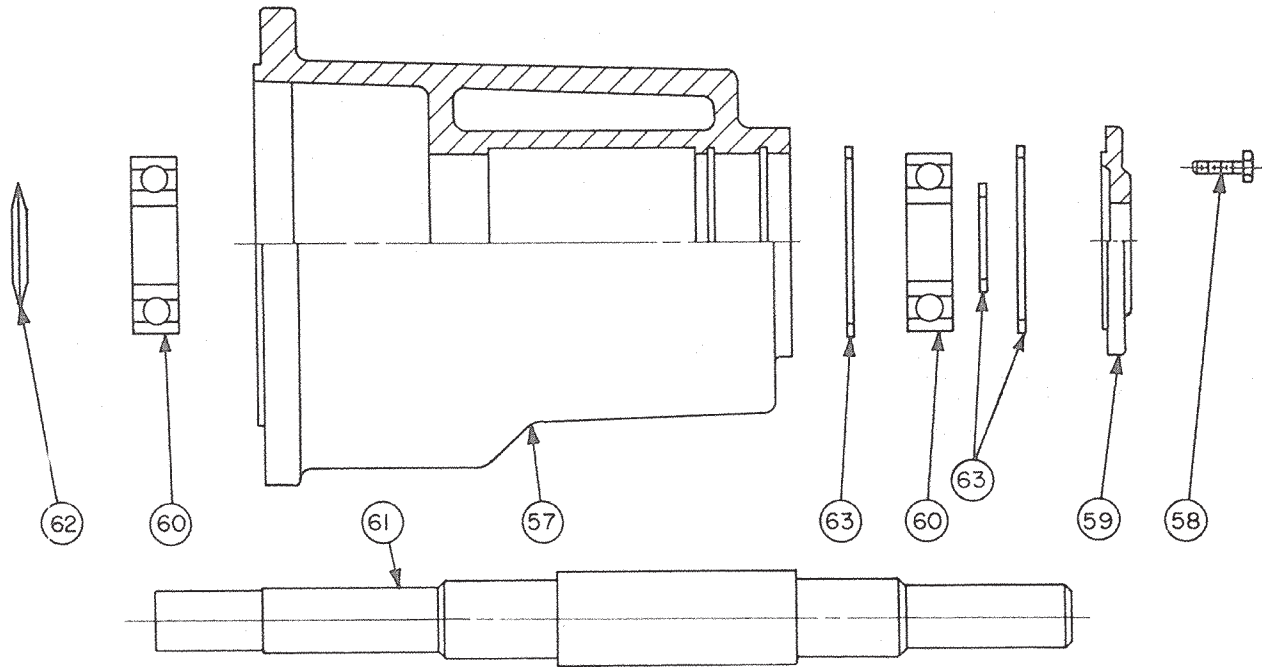
SEAL OR PACKING DESIGN
MATERIAL OF CONSTRUCTION

OPTIONS
SHAFT LENGTH
BEARING DESIGN



ITEM NO.	NO REQ.	DESCRIPTION	3008	4008	2510	3010
1	1	CASING	950-1016RP	950-1017RP	950-1018RP	950-1019RP
2	8	NUT	HARDWARE	HARDWARE	HARDWARE	HARDWARE
2	12	NUT	HARDWARE	HARDWARE	HARDWARE	HARDWARE
3	2	SQ. HEAD PLUG	HARDWARE	HARDWARE	HARDWARE	HARDWARE
4	1	GASKET	950-023RP	950-023RP	950-019RP	950-119RP
5	1	IMPELLER (CI)	950-1077RP	950-1078RP	950-1079RP	950-1080RP
5	1	IMPELLER (BRZ.)	950-1077BRP	950-1078BRP	950-1079BRP	950-1080BRP
6	1	IMPELLER WASHER	950-047RP	950-047RP	950-047RP	950-047RP
8	1	IMPELLER BOLT	HARDWARE	HARDWARE	HARDWARE	HARDWARE
9	1	IMPELLER KEY	HARDWARE	HARDWARE	HARDWARE	HARDWARE
16	8	STUD	950-1161RP	950-1161RP	N/A	N/A
16	12	STUD	N/A	N/A	950-1159RP	950-1159RP
17	1	WEAR RING (CI)	950-1167RP	950-1168RP	950-1166BRP	950-1167RP
17	1	WEAR RING (BRZ.)	950-1167BRP	950-1168BRP	950-1166BRP	950-1167BRP
18	1	DOWEL PIN	N/A	N/A	N/A	N/A
43	1	COVER WEAR RING (CI)	N/A	N/A	N/A	N/A
43	1	COVER WEAR RING (BRZ.)	N/A	N/A	N/A	N/A

FRAME SIZE & STYLE



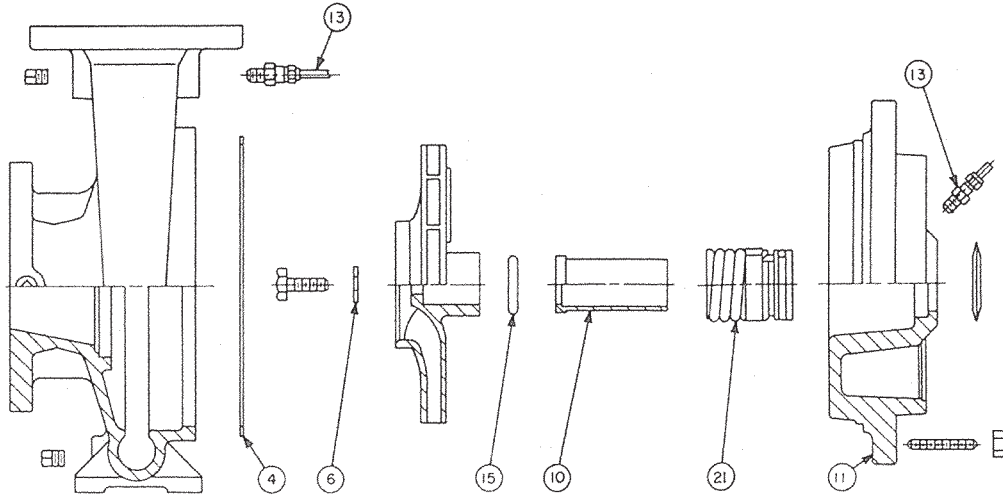
FRAME PARTS FOR "C" SIZE PUMP

ITEM NO.	NO. REQ.	DESCRIPTION	PART NO.	REMARKS
72	1	FRAME ASSEMBLY	950-1217RP	All Above Assembled As A Unit
57	1	FRAME	N/A	
58	8	HEX HD. SCREWS	HARDWARE	
59	2	BEARING COVER	950-1203RP	
60	2	BALL BEARING	951-154RP	
61	1	SHAFT	950-1206RP	
62	1	DEFLECTOR	N/A	
63	3	RETAINING RING	950-1209RP	
65	2	GREASE FITTING	950-1214RP	Not Shown
66	1	WASHER	HARDWARE	Not Included With Frame
67	1	BOLT	HARDWARE	Not Included With Frame

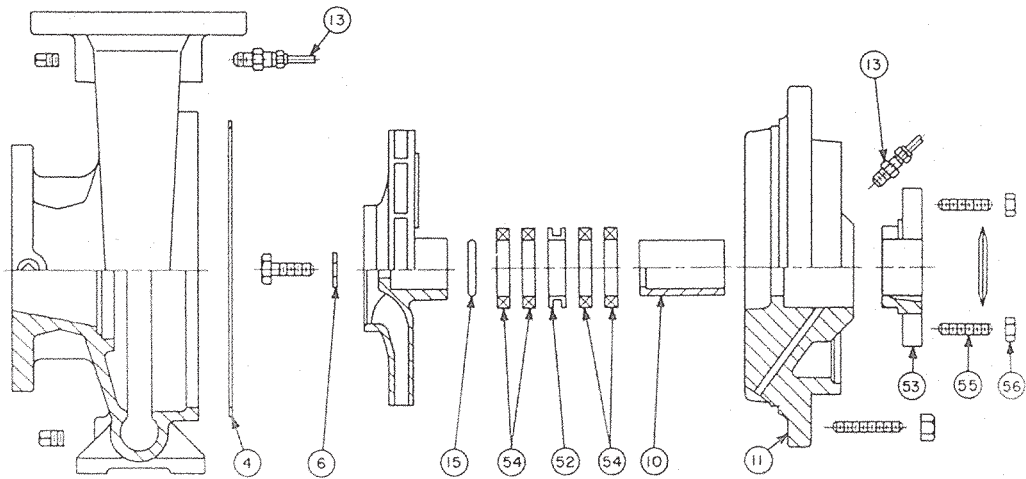
COVER MODULE FOR "C" SIZE PUMPS

ITEM NO.	NO. REQ.	SEAL OR PACKING TYPE	DESCRIPTION	3008	4008	2510	3010
11	1	B-D-E	COVER	950-1139RP	950-1139RP	950-1140RP	950-1140RP
11	1	P-Y	COVER	950-1127RP	950-1127RP	950-1128RP	950-1128RP
24	8	NA	STUD	N/A	N/A	950-1159RP	950-1159RP
25	8	NA	NUT	N/A	N/A	HARDWARE	HARDWARE

SEAL OR PACKING DESIGN MECHANICAL SEAL



PACKING



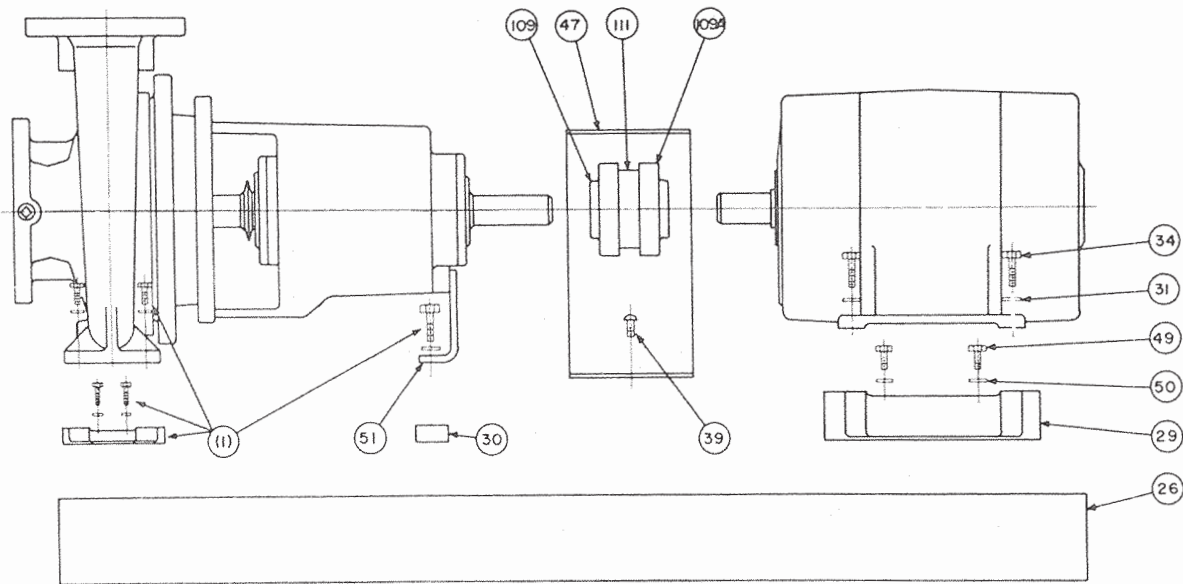
TYPE "B" STANDARD, TYPE "D" HI TEMP, TYPE "E" CERAMIC, TYPE "P" & "Y" PACKING

SEAL PARTS FOR "C" SIZE PUMPS

SEAL KIT INCLUDES ITEMS 4, 6, 10, 15 & 21

ITEM NO.	NO REQ.	DESCRIPTION	SEAL OR PACKING DESIGN				
			TYPE "B"	TYPE "D"	TYPE "E"	TYPE "P"	TYPE "Y"
4	1	GASKET	SEE PAGE 1				
6	1	IMP. WASHER	SEE PAGE 1				
10	1	SLEEVE (SS)	950-517RP	950-517RP	950-517RP		951-037RP
10	1	SLEEVE (BRZ.)	950-520RP	950-520RP	950-520RP		951-038RP
13	1	TUBE FITTING KIT	951-247RP	951-247RP	951-247RP		951-247RP
15	1	SLEEVE GASKET	950-111RP	950-111RP	950-111RP		950-111RP
30	1	SEAL KIT	950-665SRP	950-668SRP	950-671SRP		N/A
30	1	SEAL KIT	950-665BRP	950-668BRP	950-671BRP		N/A
52	1	LANTERN RING	N/A	N/A	N/A		950-1194RP
52	1	LANTERN RING (BRZ.)	N/A	N/A	N/A		950-1194BRP
53	1	GLAND	N/A	N/A	N/A		950-1197RP
53	1	GLAND (BRZ.)	N/A	N/A	N/A		950-1197BRP
54	4	PACKING RING	N/A	N/A	N/A		950-1200RP
55	2	STUD	N/A	N/A	N/A		950-1300RP
56	2	NUT	N/A	N/A	N/A		HARDWARE

MOTOR PARTS—NOT PART OF SERIAL NUMBER—



FOR FM PUMPS NO. 3008 & 2510 (1)

ITEM NO.	NO. REQ.	DESCRIPTION	MOTOR FRAME SIZE (NEMA STD.) 'T' (NOTE 2)						
			184T	213T	215T	254T	284TS	286TS	324TS
26	1	BASE	CONSULT FACTORY						
29	2	MTR. SPACER	CONSULT FACTORY						
30	1	FOOT SPACER	N/A					950-188RP	
31	4	MTR. LOCKWASHER	HARDWARE						
34	4	MTR. BOLT	HARDWARE						
39	2	C. G. SCREW	HARDWARE						
47	1	COUPL. GUARD	840-125RP			862-164RP			
49	4	MTR. SPACER BOLT	HARDWARE						
50	4	MTR. SPACER L.W.	HARDWARE						
51	1	FRAME FOOT	950-1190RP						
109	1	PUMP COUPL. HALF	900-328RP		900-364RP		900-427RP		
109A	1	MTR. COUPL. HALF	900-327RP	900-328RP		900-365RP	900-428RP	900-437RP	
111	1	COUPL. INSERT	900-513RP		900-514RP		900-515RP		

NOTE (1): For Pump Spacers & Hardware, Consult Factory.

NOTE (2): For Motors Above 326TS, Consult Factory.

FOR FM PUMPS NO. 4008 & 3010 (1)

ITEM NO.	NO. REQ.	DESCRIPTION	MOTOR FRAME SIZE (NEMA STD.) 'T'					
			184T	213T	215T	254T	256T	284T
26	1	BASE	CONSULT FACTORY					
29	2	MTR. SPACER	CONSULT FACTORY					
30	1	FOOT SPACER	N/A					
31	4	MTR. LOCKWASHER	HARDWARE					
34	4	MTR. BOLT	HARDWARE					
39	2	C. G. SCREW	HARDWARE					
47	1	COUPL. GUARD	840-125RP			862-164RP		
49	4	MTR. SPACER BOLT	HARDWARE					
50	4	MTR. SPACER L.W.	HARDWARE					
51	1	FRAME FOOT	950-1190RP					
109	1	PUMP COUPL. HALF	900-328RP		900-364RP		900-427RP	
109A	1	MTR. COUPL. HALF	900-327RP	900-328RP		900-365RP	900-428RP	
111	1	COUPL. INSERT	900-513RP		900-514RP		900-515RP	

NOTE (1): For Pump Spacers & Hardware, Consult Factory.

Do it Once. Do it Right.®

TACO INC., 1160 Cranston Street, Cranston, RI 02920 Telephone: (401) 942-8000 Fax: 942-2360
 TACO (Canada), Ltd., 8450 Lawson Road, Unit #3, Milton, Ontario L9T 0J8 Telephone: (905) 564-9422 Fax: (905) 564-9436
 Visit our website at: www.taco-hvac.com

Printed in USA
 Copyright 2009
 TACO, Inc.