



# Replacement Parts List

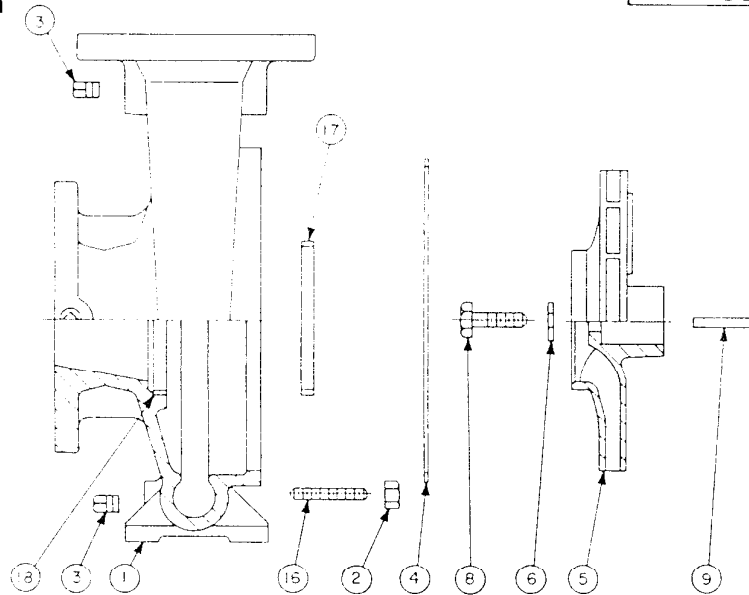
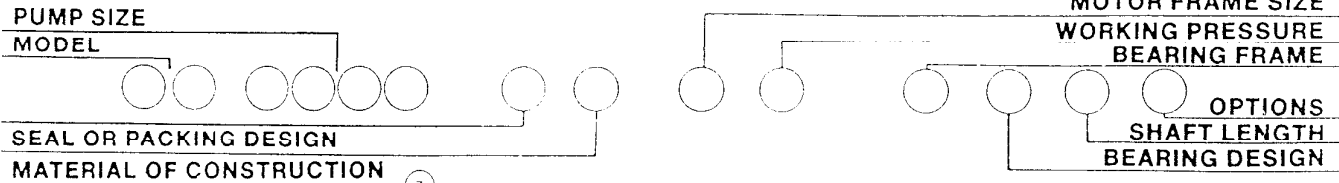
304-024

## FM 2506, 1207 & 1507

SUPERSEDES: NEW

EFFECTIVE: FEBRUARY 15, 1992

WHEN SELECTING AND ORDERING PARTS, ALWAYS REFER TO SERIAL NUMBER ON NAME PLATE



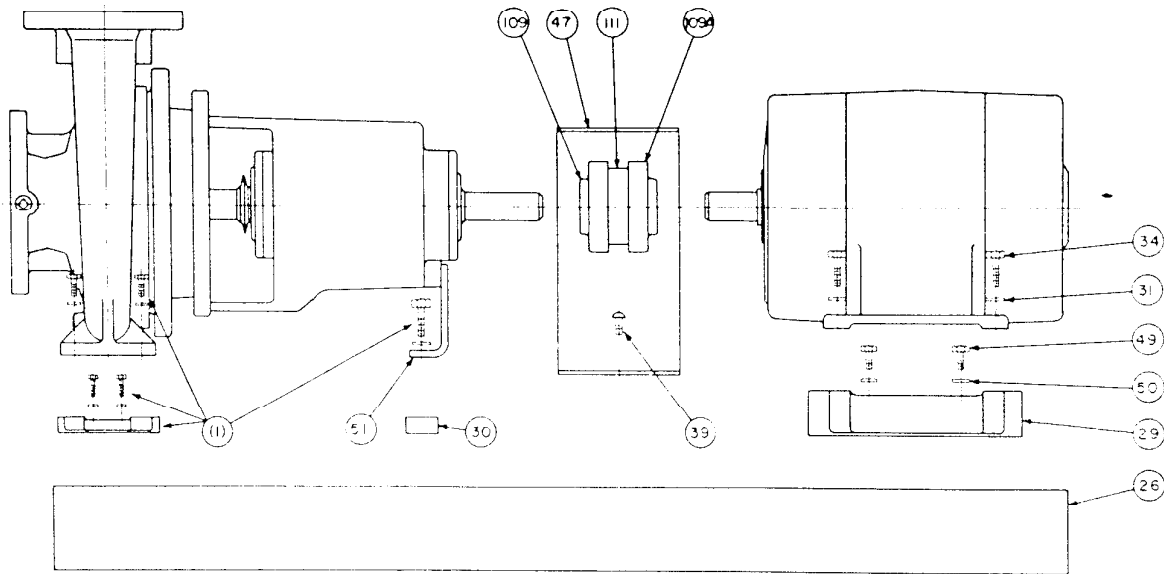
ITEM NO.	NO REQ.	DESCRIPTION	2506	1207	1507
1	1	CASING	950-1003RP	950-1004RP	950-1005RP
2	8	NUT	HARDWARE	HARDWARE	HARDWARE
3	2	SQ. HEAD PLUG	HARDWARE	HARDWARE	HARDWARE
4	1	GASKET	950-021RP	950-022RP	950-022RP
5	1	IMPELLER (CI)	950-1064RP	950-1065RP	950-1066RP
5	1	IMPELLER (BRZ.)	950-1064BRP	950-1065BRP	950-1066BRP
6	1	IMPELLER WASHER	950-046RP	950-046RP	950-046RP
8	1	IMPELLER BOLT	HARDWARE	HARDWARE	HARDWARE
9	1	IMPELLER KEY	HARDWARE	HARDWARE	HARDWARE
16	8	STUD	950-1157RP	950-1158RP	950-1158RP
17	1	WEAR RING (CI)	950-1166RP	950-1163RP	950-1164RP
17	1	WEAR RING (BRZ.)	950-1166BRP	950-1163BRP	950-1164BRP
18	1	DOWEL PIN	N/A	N/A	N/A
43	1	COVER WEAR RING (CI)	N/A	N/A	N/A
43	1	COVER WEAR RING (BRZ.)	N/A	N/A	N/A

COMPARE. YOU'LL TAKE TACO.

TACO, Inc., 1160 Cranston St., Cranston, RI 02920 (401) 942-8000 FAX: (401) 942-2360

Printed in U.S.A.

# MOTOR PARTS—NOT PART OF SERIAL NUMBER—



## FOR FM PUMP NO. 2506 (1)

ITEM NO.	NO. REQ.	DESCRIPTION	MOTOR FRAME SIZE (NEMA STD.) 'T'					
			56T	143 & 145T	182T	184T	213T	215T
26	1	BASE	CONSULT FACTORY					
29	2	MTR. SPACER	CONSULT FACTORY					
30	1	FOOT SPACER	950-187RP					
31	4	MTR. LOCKWASHER	HARDWARE					
34	4	MTR. BOLT	HARDWARE					
39	2	C. G. SCREW	HARDWARE					
47	1	COUPL. GUARD	820-796RP			840-125RP		
49	4	MTR. SPACER BOLT	HARDWARE					
50	4	MTR. SPACER LW.	HARDWARE					
51	1	FRAME FOOT	950-1187RP					
109	1	PUMP COUPL. HALF	900-323RP			900-326RP		900-362RP
109A	1	MTR. COUPL. HALF	900-321RP	900-322RP	900-324RP	900-328RP		900-365RP
111	1	COUPL. INSERT	900-512RP			900-513RP		900-514RP

NOTE (1): For Pump Spacers & Hardware, Consult Factory.

## FOR FM PUMPS NO. 1207 & 1507 (1)

ITEM NO.	NO. REQ.	DESCRIPTION	MOTOR FRAME SIZE (NEMA STD.) 'T'					
			56T	143 & 145T	182T	184T	213T	215T
26	1	BASE	CONSULT FACTORY					
29	2	MTR. SPACER	CONSULT FACTORY					
30	1	FOOT SPACER	950-187RP					
31	4	MTR. LOCKWASHER	HARDWARE					
34	4	MTR. BOLT	HARDWARE					
39	2	C. G. SCREW	HARDWARE					
47	1	COUPL. GUARD	820-796RP					840-125RP
49	4	MTR. SPACER BOLT	HARDWARE					
50	4	MTR. SPACER LW.	HARDWARE					
51	1	FRAME FOOT	950-1187RP					
109	1	PUMP COUPL. HALF	900-323RP			900-326RP		900-362RP
109A	1	MTR. COUPL. HALF	900-321RP	900-322RP	900-324RP	900-328RP		900-365RP
111	1	COUPL. INSERT	900-512RP			900-513RP		900-514RP

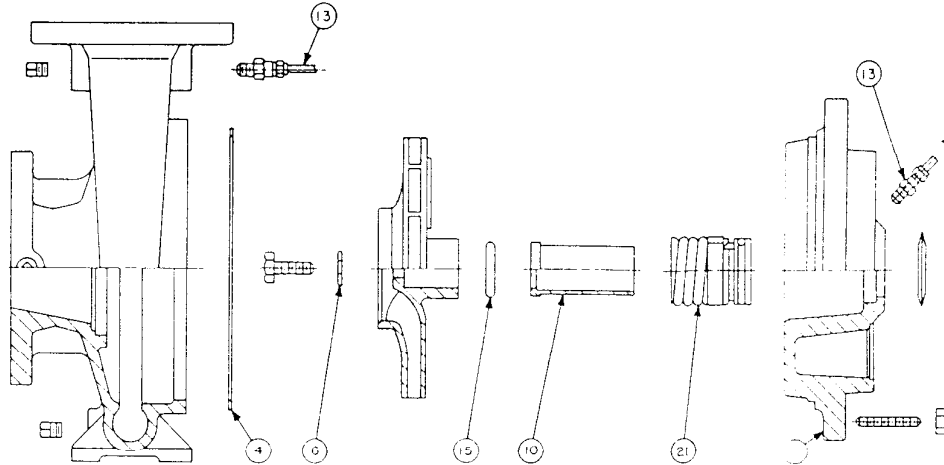
NOTE (1): For Pump Spacers & Hardware, Consult Factory.

Taco, Inc. 1160 Cranston Street, Cranston, Rhode Island 02920 Telephone (401) 942-8000 FAX: 1-401-942-2360

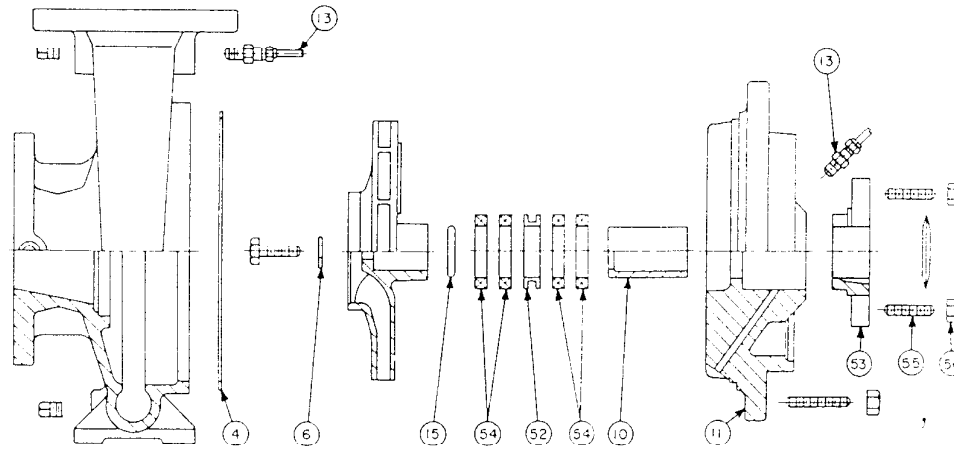
11000 U.S.A.

Taco (Canada) Limited 1310 Amco Blvd. Mississauga, Ontario L4W 1B2 Telephone: 416-625-2160 FAX: 1-416-625-8616

## SEAL OR PACKING DESIGN MECHANICAL SEAL



## PACKING



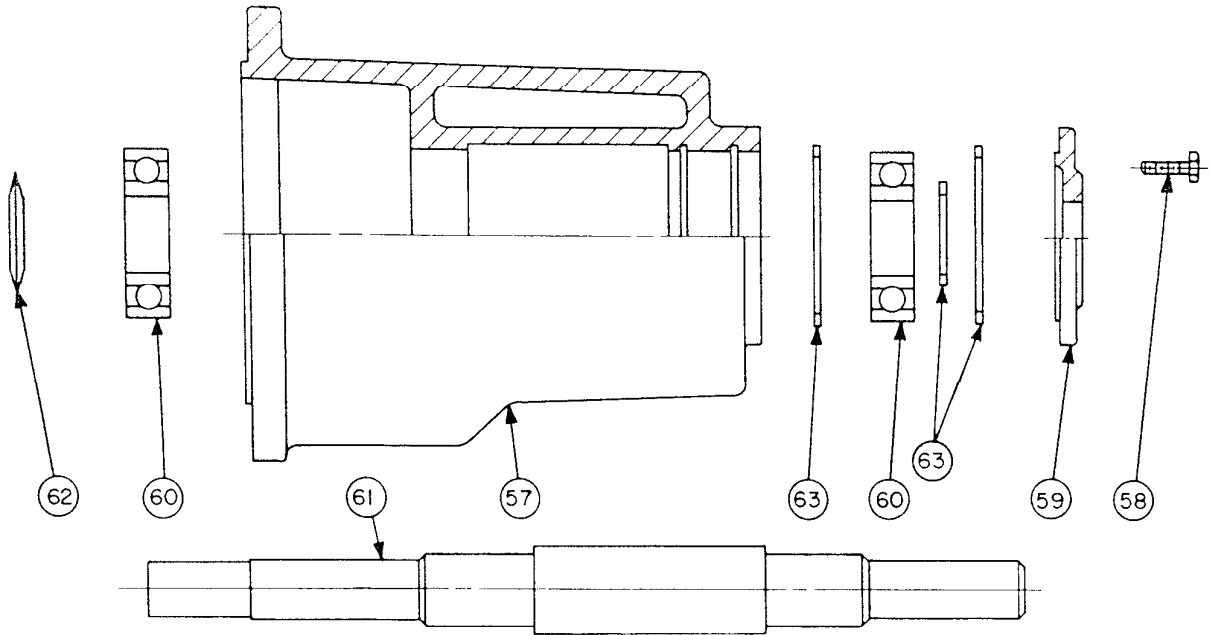
**TYPE "B" STANDARD, TYPE "D" HI TEMP, TYPE "E" CERAMIC, TYPE "P" & "Y" PACKING**

**SEAL PARTS FOR "A" SIZE PUMPS**

**SEAL KIT INCLUDES ITEMS 4, 6, 10, 15 & 21**

ITEM NO.	NO REQ.	DESCRIPTION	SEAL OR PACKING DESIGN				
			TYPE "B"	TYPE "D"	TYPE "E"	TYPE "P"	TYPE "Y"
4	1	GASKET	SEE PAGE 1				
6	1	IMP. WASHER	SEE PAGE 1				
10	1	SLEEVE (SS)	950-516RP	950-516RP	950-516RP	951-035RP	
10	1	SLEEVE (BRZ.)	950-519RP	950-519RP	950-519RP	951-036RP	
13	1	TUBE FITTING KIT	951-247RP	951-247RP	951-247RP	951-247RP	
15	1	SLEEVE GASKET	950-110RP	950-110RP	950-110RP	950-110RP	
30	1	SEAL KIT	950-664SRP	950-667SRP	950-670SRP	N/A	
30	1	SEAL KIT	950-664BRP	950-667BRP	950-670BRP	N/A	
52	1	LANTERN RING	N/A	N/A	N/A	950-1193RP	
52	1	LANTERN RING (BRZ.)	N/A	N/A	N/A	950-1193BRP	
53	1	GLAND	N/A	N/A	N/A	950-1196RP	
53	1	GLAND (BRZ.)	N/A	N/A	N/A	950-1196BRP	
54	4	PACKING RING	N/A	N/A	N/A	950-1199RP	
55	2	STUD	N/A	N/A	N/A	950-1157RP	
56	2	NUT	N/A	N/A	N/A	HARDWARE	

## FRAME SIZE & STYLE



### FRAME PARTS FOR "A" SIZE PUMP

ITEM NO.	NO. REQ.	DESCRIPTION	PART NO.	REMARKS
72	1	FRAME ASSEMBLY	950-1215RP	All Above Assembled As A Unit
57	1	FRAME	N/A	
58	8	HEX HD. SCREWS	HARDWARE	
59	2	BEARING COVER	950-1202RP	
60	2	BALL BEARING	950-962RP	
61	1	SHAFT	950-1205RP	
62	1	DEFLECTOR	N/A	
63	3	RETAINING RING	950-1208RP	
65	2	GREASE FITTING	950-1214RP	Not Shown
66	1	WASHER	HARDWARE	Not Included With Frame
67	1	BOLT	HARDWARE	Not Included With Frame

### CÖVER MODULE FOR "A" SIZE PUMPS

ITEM NO.	NO. REQ.	SEAL OR PACKING TYPE	DESCRIPTION	2506	1207	1507
11	1	B-D-E	COVER	950-1133RP	950-1134RP	
11	1	P-Y	COVER	950-1121RP	950-1122RP	
24	8	NA	STUD	N/A	950-1179RP	
25	8	NA	NUT	N/A	HARDWARE	