

BERKELEY® B6ZRBHH

Cast Iron Impeller

Power Frame Case, Packing Construction

BEARING FRAME MOUNT

Section	FM
Page	238.1
Date	March 4, 2013
Supersedes 05/01/11	

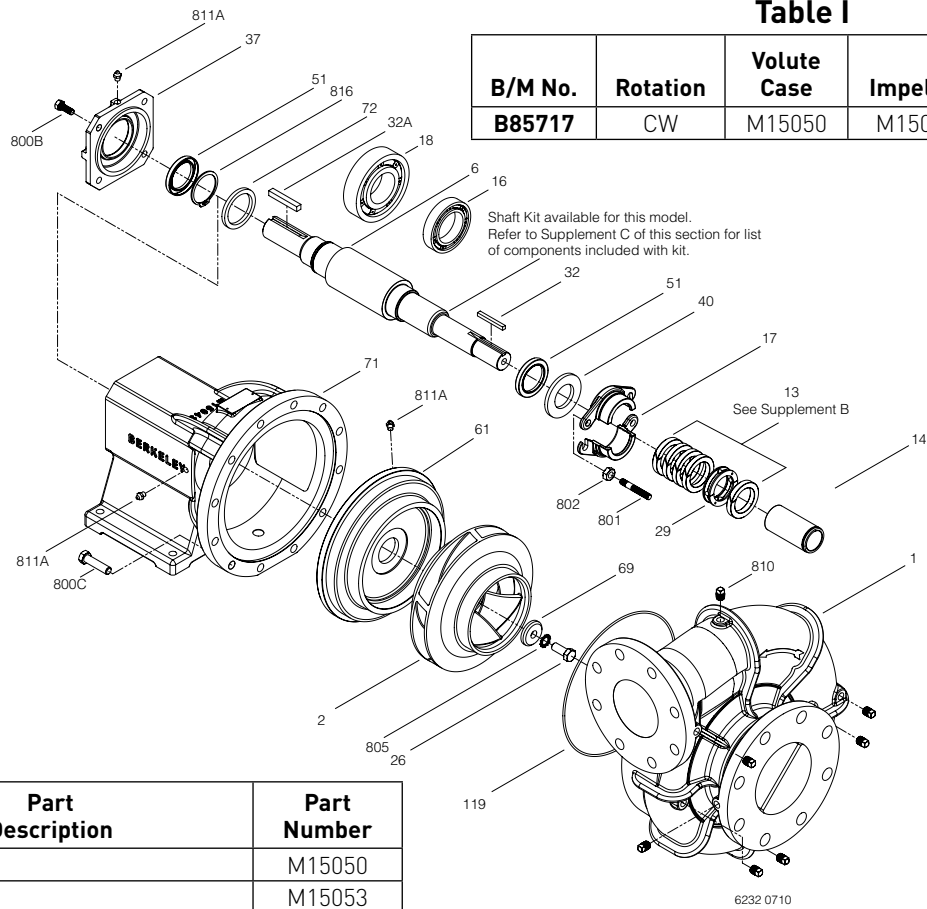


Table I

B/M No.	Rotation	Volute Case	Impeller	Impeller Diameter
B85717	CW	M15050	M15053	9.50"

Item No.	Part Description	Part Number
1	Case, Volute	M15050
2	Impeller	M15053
6	Shaft	M15091
13	Ring, Packing (Set of 4)	S13435
14	Sleeve, Shaft (Note 3)	B85741
16	Bearing, Ball	M15097
17	Gland, Packing	B82470
18	Bearing, Ball	S13754
26	Screw, Impeller	S23621
29	Ring, Lantern	S19200
32	Key, 1/4" X 2-1/4"	S23677
32A	Key, 3/8" x 2-1/2"	S23941
37	Outer Bearing Cap	M15054
40	Slinger, Water	S10964
51	Seal, Oil (2 rqd)	M12337
61	Plate, Seal	M15047
69	Washer, Impeller	S06319
71	Bracket	M15043
72	Ring, Thrust	M15095
119	O-Ring	M15099

Item No.	Part Description	Part Number
800B	Screw, 3/8-16 X 1" LG CRS (4 rqd)	S26826
800C	Screw, 1/2-13NC X 2" LG CRS (12 rqd)	S26920
801	Stud, 3/8-16NC X 2-1/2" LG 416SS (2 rqd)	S04438
802	Nut, Hex, Lock 3/8-16 SS (2 rqd)	M13771
805	Washer, Lock	S23038
810	Plug, Pipe	S23715
811A	Fitting, Grease (3 rqd)	S23700
816	Ring, Retaining	M15094

NOTE 1: Shaft Replacement Kit B85739 includes items 6, 14, 16, 18, 26, 32, 32A, 40, 51, 69, 72, 805, 816.

NOTE 2: Impeller Kit B85754 includes items 26, 32, 69, 119, 805.

NOTE 3: Shaft Sleeve Kit B85741 includes item 14, adhesive and instruction sheet.



BERKELEY® B6ZRBHHS

Cast Iron Impeller

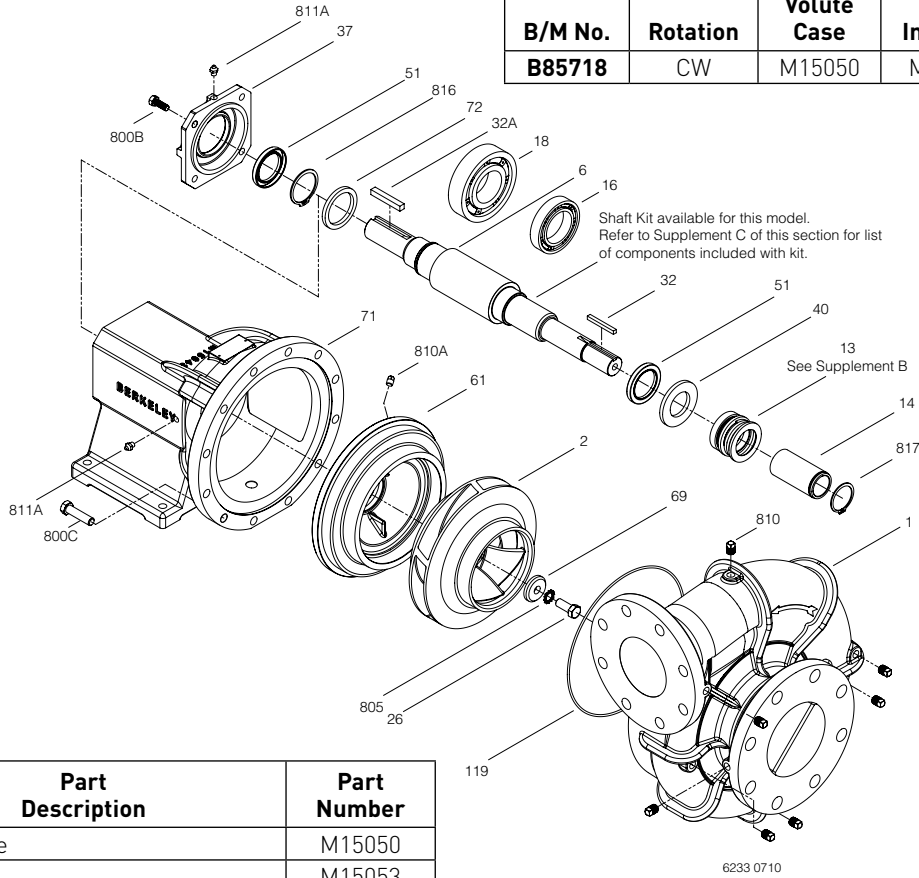
Power Frame Case, Mechanical Seal Construction

BEARING FRAME MOUNT

Section	FM
Page	238.2
Date	March 4, 2013
Supersedes 05/01/11	

Table I

B/M No.	Rotation	Volute Case	Impeller	Impeller Diameter
B85718	CW	M15050	M15053	9.50"



Item No.	Part Description	Part Number
1	Case, Volute	M15050
2	Impeller	M15053
6	Shaft	M15091
13	Seal, Mechanical	S32015
14	Sleeve, Shaft (Note 3)	B85741
16	Bearing, Ball	M15097
18	Bearing, Ball	S13754
26	Screw, Impeller	S23621
32	Key, 1/4" X 2-1/4"	S23677
32A	Key, 3/8" x 2-1/2"	S23941
37	Outer Bearing Cap	M15054
40	Slinger, Water	S10964
51	Seal, Oil	M12337
61	Plate, Seal	M15046
69	Washer, Impeller	S06319
71	Bracket	M15043
72	Ring, Thrust	M15095
119	O-Ring	M15099
800B	Screw, 3/8-16 X 1 LG CRS [4 reqd]	S26826

Item No.	Part Description	Part Number
800C	Screw, 1/2-13NC X 2 LG CRS [12 reqd]	S26920
805	Washer, Lock	S23038
810	Plug, Pipe	S23715
810A	Plug, Pipe	U78-56ZPS
811A	Fitting, Grease	S23700
816	Ring, Retaining	M15094
817	Ring, Retaining	S16767

NOTE 1: Shaft Replacement Kit B85739 includes items 6, 14, 16, 18, 26, 32, 32A, 40, 51, 69, 72, 805, 816.

NOTE 2: Impeller Kit B85754 includes items 26, 32, 69, 119, 805.

NOTE 3: Shaft Sleeve Kit B85741 includes item 14, adhesive and instruction sheet.

