

BERKELEY® B6JRMBM

Cast Iron Impeller

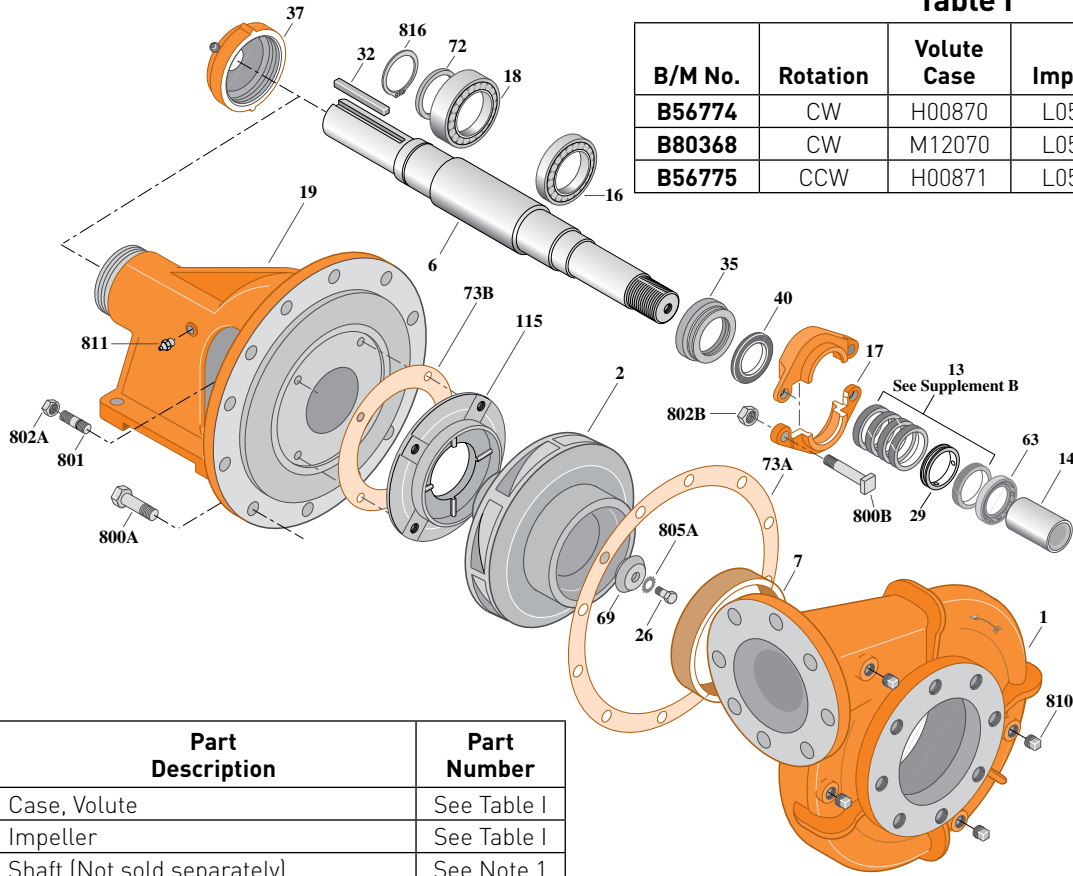
Flanged Case, Packing Construction

BEARING FRAME MOUNT

Section	FM
Page	280.1
Date	March 4, 2013
Supersedes 01/01/04	

Table I

B/M No.	Rotation	Volute Case	Impeller	Impeller Diameter
B56774	CW	H00870	L05818	13.50"
B80368	CW	M12070	L05818	13.50"
B56775	CCW	H00871	L05819	13.50"



2083 1095

Item No.	Part Description	Part Number
1	Case, Volute	See Table I
2	Impeller	See Table I
6	Shaft (Not sold separately)	See Note 1
7	Ring, Wearing	S01234
13	Ring, Packing (Set of 4)	S13436
14	Sleeve, Shaft	S05974
16	Bearing, Ball	S15604
17	Gland, Packing	B82472
18	Bearing, Ball	S13396
19	Frame	H01599
26	Screw, Impeller 1/2-13x2"	S23627
29	Ring, Lantern	S18993
32	Key, 1/2x4"	S24214
35	Inner Bearing Cap	S05928
37	Outer Bearing Cap Assembly*	S35277
40	Slinger, Water	S10964
63	Bushing, Throat	S18992
69	Washer, Impeller	S19275
72	Ring, Thrust	S06519
73A	Gasket, Volute	S06271

Item No.	Part Description	Part Number
73B	Gasket, Balance Ring	S09943
115	Ring, Balance	S12315
800A	Capscrew, Hex 5/8-11x1-1/2" (12 Req.)	S26999
800B	Bolt, Sq. Head 1/2-13x2-3/4" (2 Req.)	S23794
801	Stud, 3/8-16x1-1/4" - CW (4 Req.)	S23994
801	Stud, 3/8-16x1-3/8" - CCW (4 Req.)	S09942
802A	Nut, Hex 3/8-16 (4 Req.)	S23103
802B	Nut, Hex 1/2-13x7/16" (2 Req.)	S23347
805A	Washer, Lock	S23038
810	Plug, Pipe 1/2 NPT (4 Req.)	S23717
811	Fitting, Grease	S23670
816	Ring, Retaining	S23016

NOTE 1: Shaft Replacement Kit available for this model. Berkeley part number **B07596** for CW, **B07597** for CCW. Pump Shaft sold in shaft replacement kit only.

* Includes grease fitting and set screw.



BERKELEY® B6JRMBMS

Cast Iron Impeller

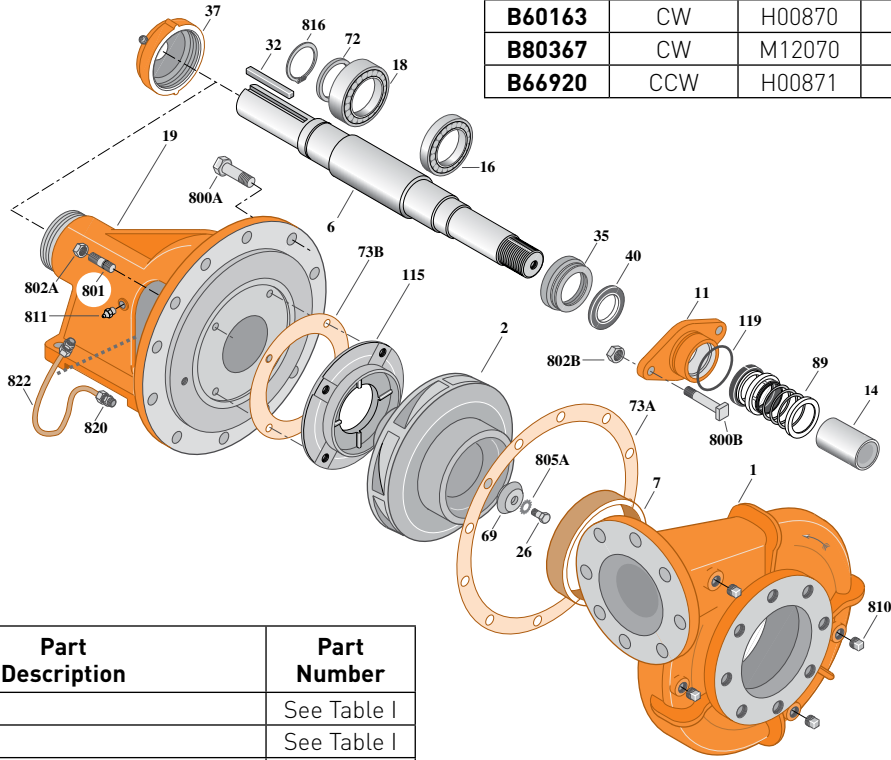
Flanged Case, Mechanical Seal Construction

BEARING FRAME MOUNT

Section	FM
Page	280.2
Date	March 4, 2013
Supersedes 01/01/04	

Table I

B/M No.	Rotation	Volute Case	Impeller	Impeller Diameter
B60163	CW	H00870	L05818	13.50"
B80367	CW	M12070	L05818	13.50"
B66920	CCW	H00871	L05819	13.50"



2084 1095

Item No.	Part Description	Part Number
1	Case, Volute	See Table I
2	Impeller	See Table I
6	Shaft (Not sold separately)	See Note 1
7	Ring, Wearing	S01234
11	Retainer, Mechanical Shaft Seal	S11452
14	Sleeve, Shaft	S05974
16	Bearing, Ball	S15604
18	Bearing, Ball	S13396
19	Frame	H01838
26	Screw, Impeller 1/2-13x2"	S23627
32	Key, 1/2x4"	S24214
35	Inner Bearing Cap	S05928
37	Outer Bearing Cap Assembly*	S35277
40	Slinger, Water	S10964
69	Washer, Impeller	S19275
72	Ring, Thrust	S06519
73A	Gasket, Volute	S06271
73B	Gasket, Balance Ring	S09943
89	Seal, Mechanical Shaft	S32693
115	Ring, Balance	S13591

Item No.	Part Description	Part Number
119	O-Ring	S26471
800A	Capscrew, Hex 5/8-11x1-1/2" [12 Req.]	S26999
800B	Bolt, Sq. Head 1/2-13x2-1/4" [2 Req.]	S23792
801	Stud, 3/8-16x1-3/8" [4 Req.]	S09942
802A	Nut, Hex 3/8-16 [4 Req.]	S23103
802B	Nut, Hex 1/2-13x7/16" [2 Req.]	S23347
805A	Washer, Lock	S23038
810	Plug, Pipe 1/2 NPT [4 Req.]	S23717
811	Fitting, Grease	S23670
816	Ring, Retaining	S23016
820	Elbow, Comp. Fitting [2 Req.]	S24128
822	Tubing, Copper	S20677

* Includes grease fitting and set screw.

NOTE 1: Shaft Replacement Kit available for this model. Berkeley part number **B07596** for CW, **B07597** for CCW. Pump Shaft sold in shaft replacement kit only.



BERKELEY® B6JRMBMS

Cast Iron Impeller

Flanged Case, Dry Run

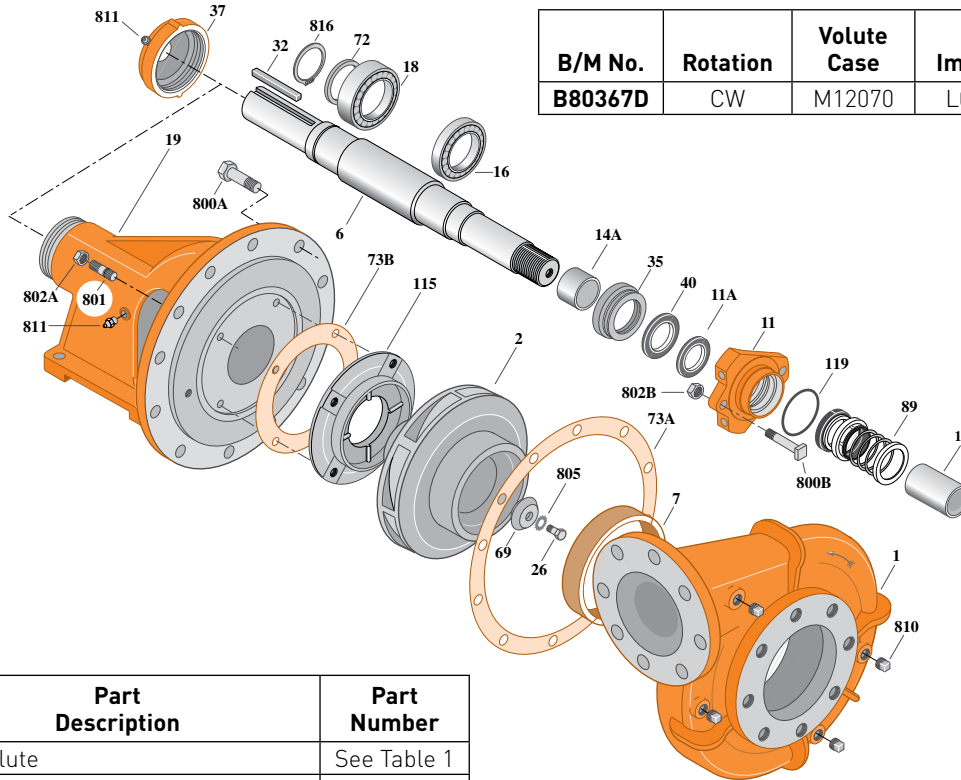
Mechanical Shaft Seal Construction

BEARING FRAME MOUNT

Section	FM
Page	280.3
Date	March 4, 2013
Supersedes 12/0111	

Table I

B/M No.	Rotation	Volute Case	Impeller	Impeller Diameter
B80367D	CW	M12070	L05818	13.50"



Item No.	Part Description	Part Number
1	Case, Volute	See Table 1
2	Impeller	See Table 1
6	Shaft	See Note 1
7	Ring, Wearing	S01234
11	Retainer, Mechanical Shaft Seal, Dry Run	M14959
11A	Dry Run Gland Lip Seal	M12337
14	Sleeve, Shaft	S05974L
14A	Sleeve, Shaft	M14971
16	Bearing, Ball	S15604
18	Bearing, Ball	S13396
19	Frame	M14963
26	Screw, Impeller 1/2-13x1-1/4"	S23621
32	Key, 1/2x4"	S24214
35	Inner Bearing Cap	S05928
37	Outer Bearing Cap Assembly*	S35277
40	Slinger, Water	S10964
69	Washer, Impeller	M14217
72	Ring, Thrust	S06519
73A	Gasket, Volute	S06271
73B	Gasket, Balance Ring	S09943
89	Seal, Mechanical Shaft	S32693

* Includes grease fitting and set screw.

Item No.	Part Description	Part Number
115	Ring, Balance	M15719
119	O-Ring	M14972
800A	Cap screw, Hex 5/8-11x1-1/2" [12 Rqd.]	S26999
800B	Bolt, Sq. Head 1/2-13x2-1/4" [2 Rqd.]	S23792
801	Stud, 3/8-16x1-1/4" [4 Rqd.]	S23994
802A	Nut, Hex 3/8-16 [4 Rqd.]	S23103
802B	Nut, Hex 1/2-13x7/16" [2 Rqd.]	S23347
805	Washer, Lock	S23038
810	Plug, Pipe 1/2 NPT [6 Rqd.]	S23717
811	Fitting, Grease [2 Rqd.]	S23670
816	Ring, Retaining	S23016

NOTE 1: Shaft Replacement Kit is available for this model. Berkeley part number **B07596**. Pump shaft sold in replacement kit only. Refer to **Supplement C** for shaft kit components.

NOTE 2: Refer to **Supplement F** for dry run tank repair parts. Dry run lubrication system requires one gallon of food grade hydraulic oil (FGHO), viscosity 150 SSU at 100 °F. Oil not supplied, purchase locally.

